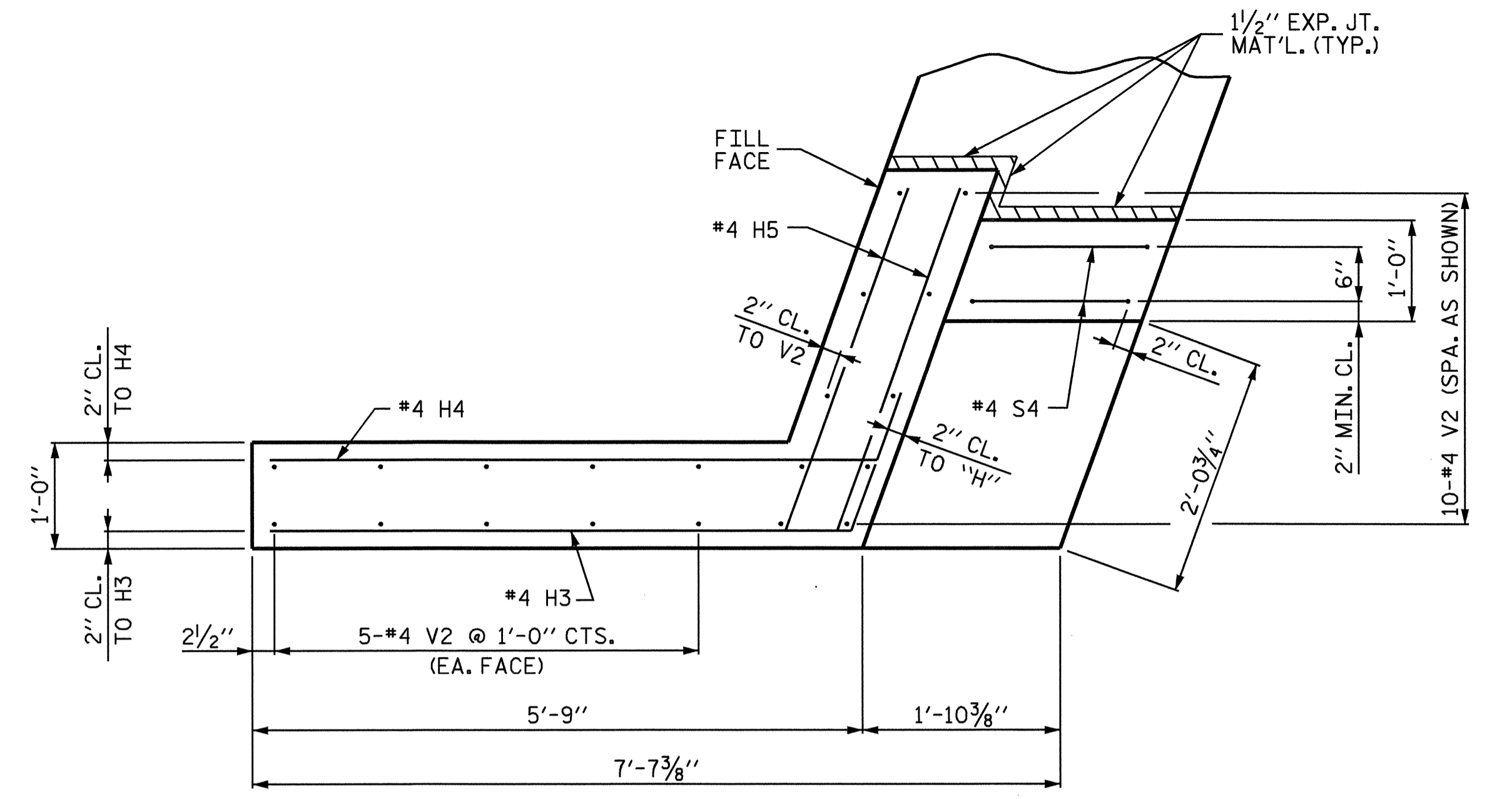
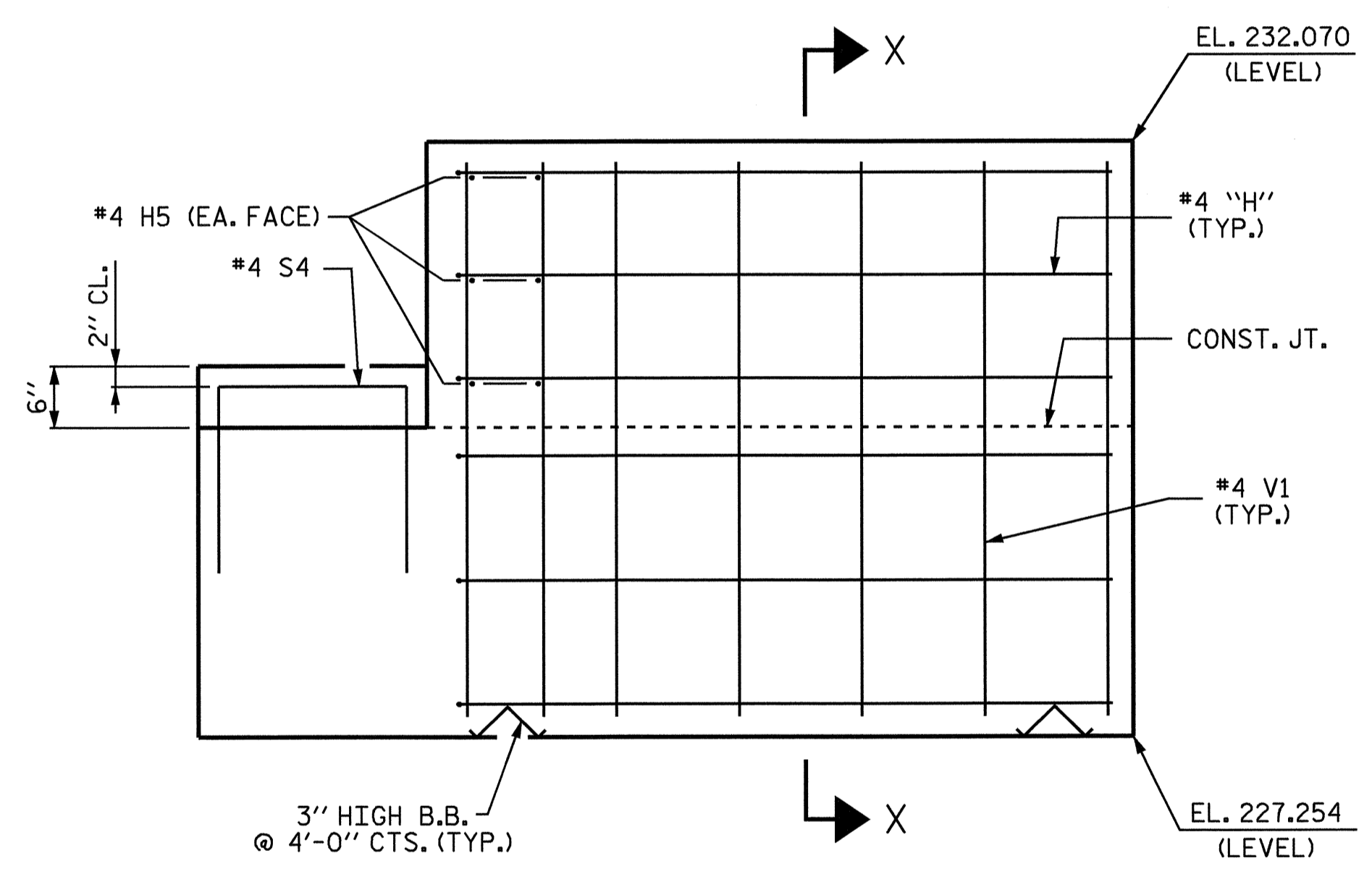


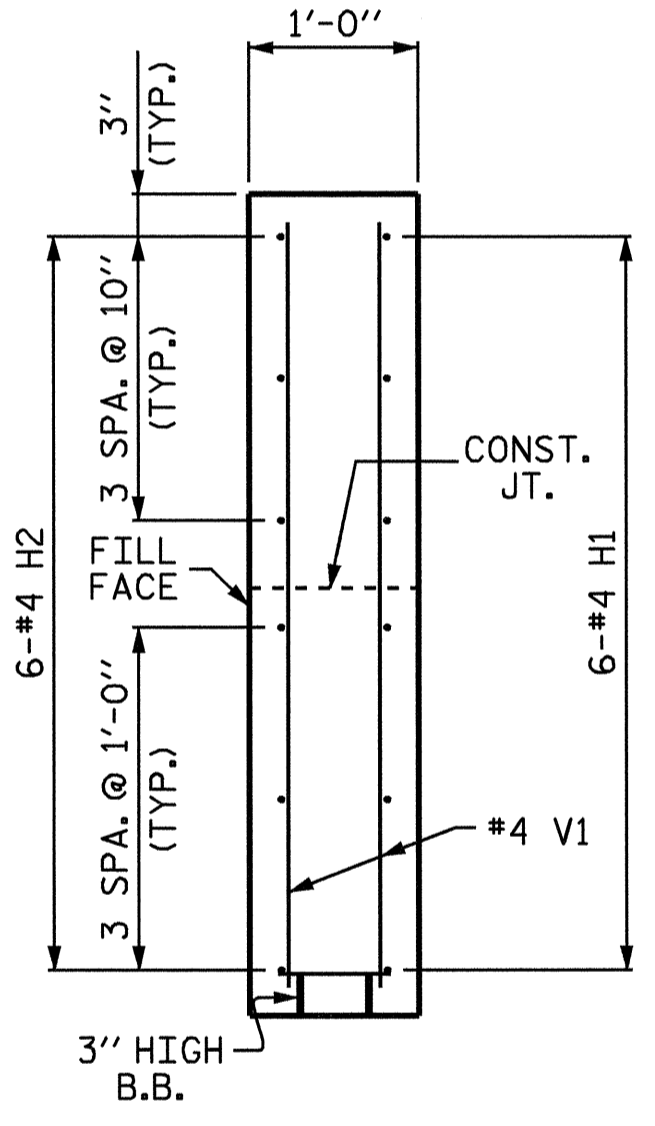
PLAN WING - W1



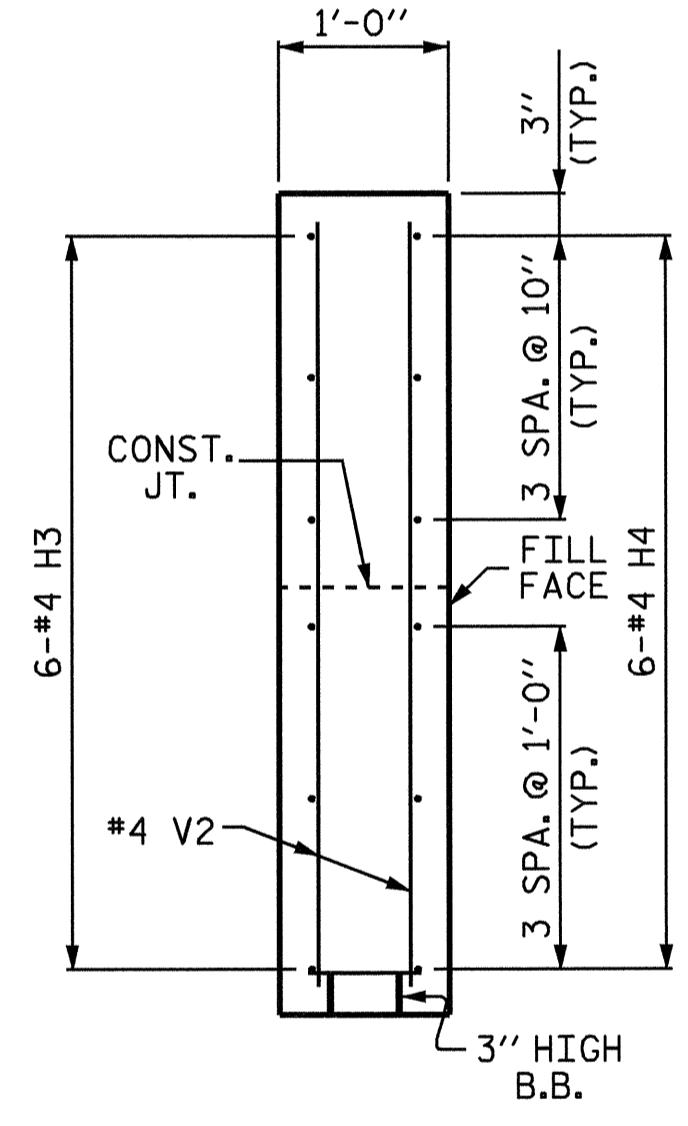
PLAN WING - W2



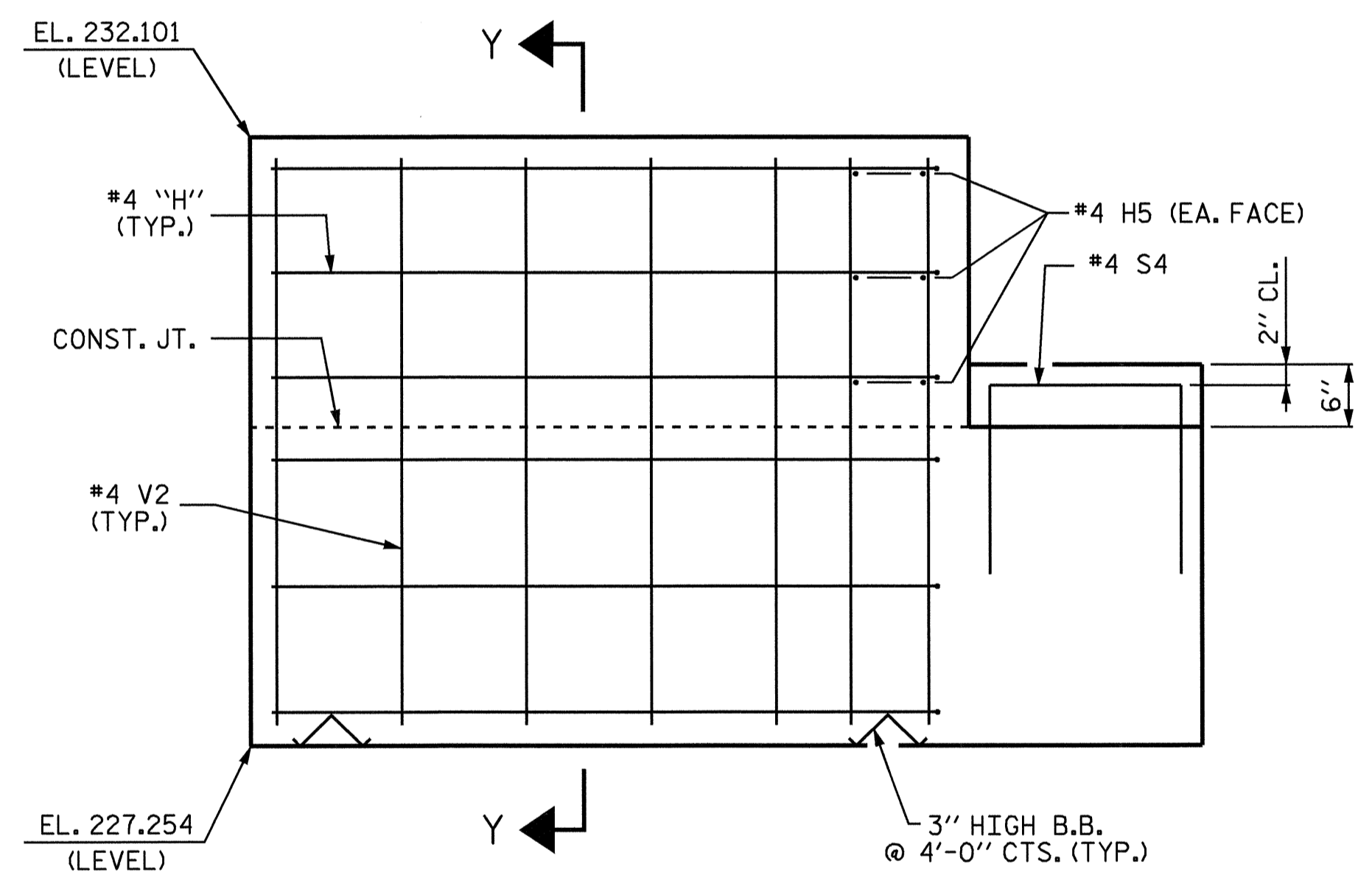
ELEVATION WING - W1



SECTION X-X



SECTION Y-Y



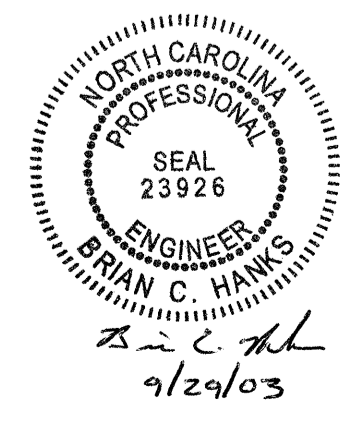
ELEVATION WING - W2

PROJECT NO. B-2963  
DURHAM COUNTY  
 STATION: 29+92.50-L-

SHEET 2 OF 3

STATE OF NORTH CAROLINA  
 DEPARTMENT OF TRANSPORTATION  
 RALEIGH

SUBSTRUCTURE  
 END BENT 1



DRAWN BY: William J. Parker DATE: 06/05/02  
 CHECKED BY: J. KHARVA DATE: 9/19/02

REVISIONS					SHEET NO.
NO.	BY:	DATE:	NO.	DATE:	S-17
1			3		TOTAL SHEETS
2			4		32