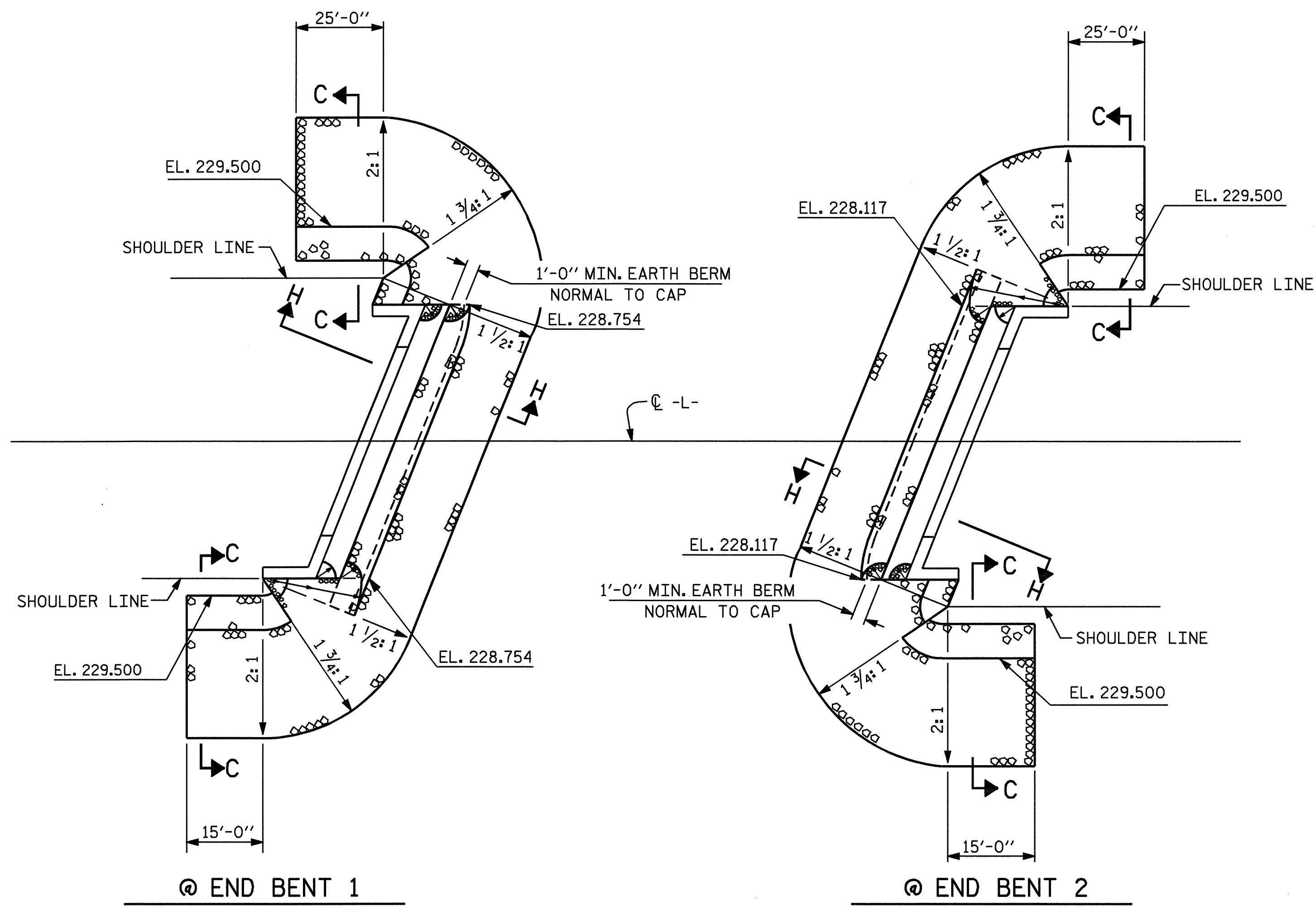


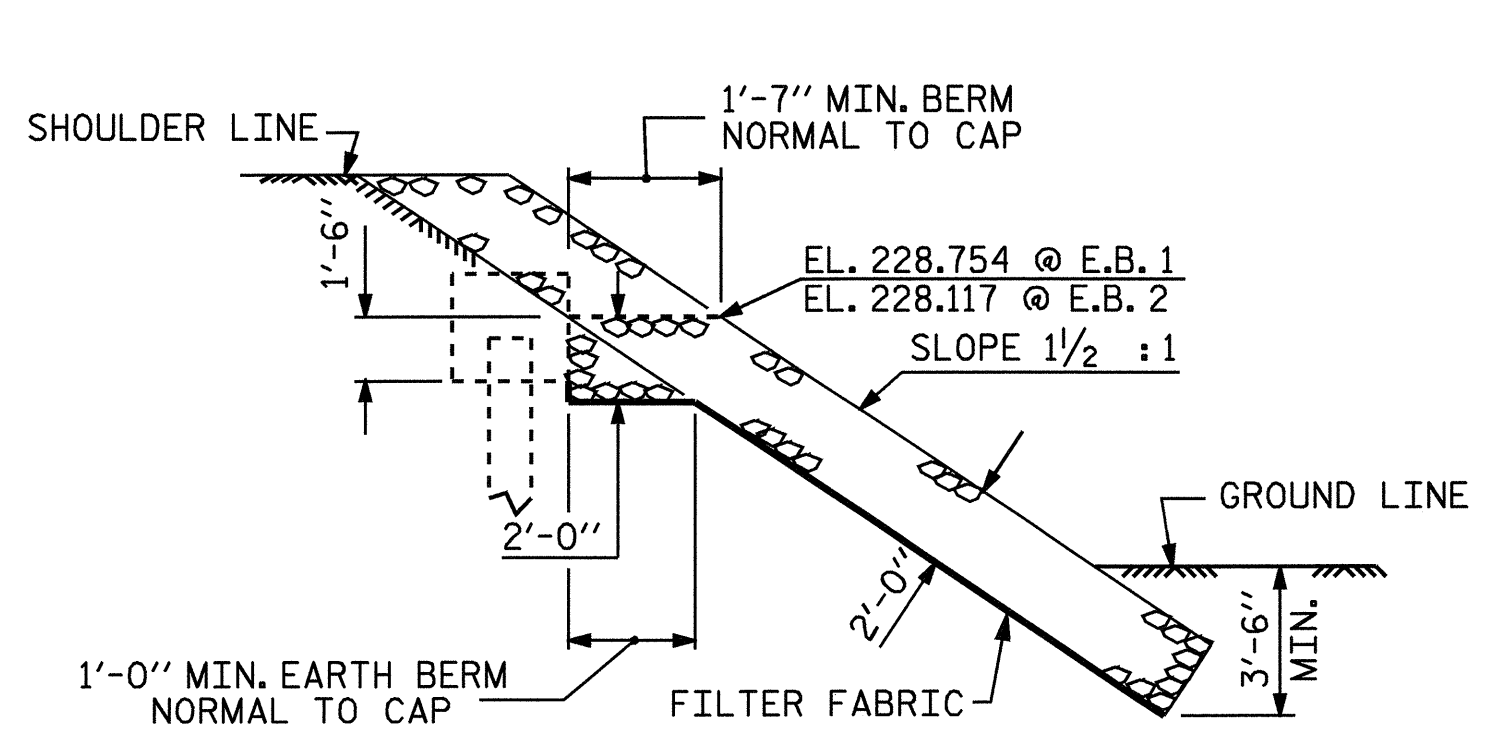
NOTES :

FOR BERM WIDTH DIMENSIONS, SEE GENERAL DRAWING.
THE COST OF FILTER FABRIC SHALL BE INCLUDED IN THE CONTRACT PRICE BID FOR PLAIN RIP RAP CLASS II

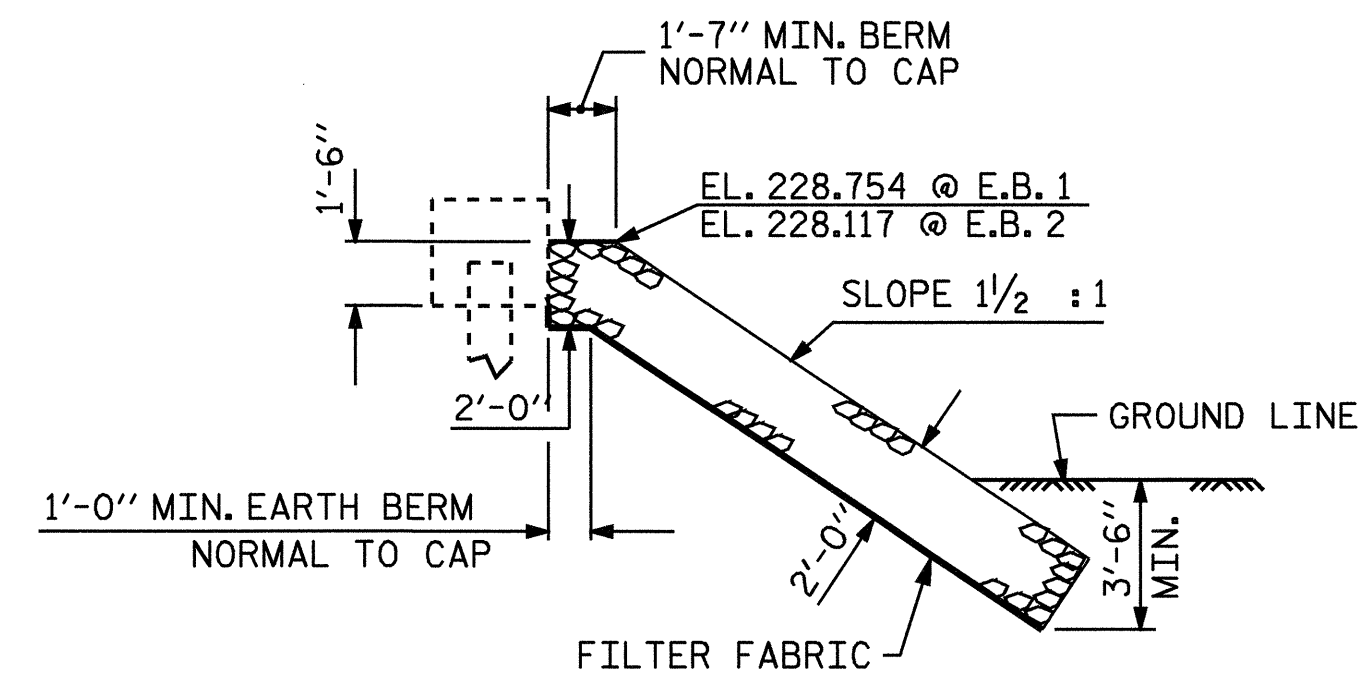


PLAN

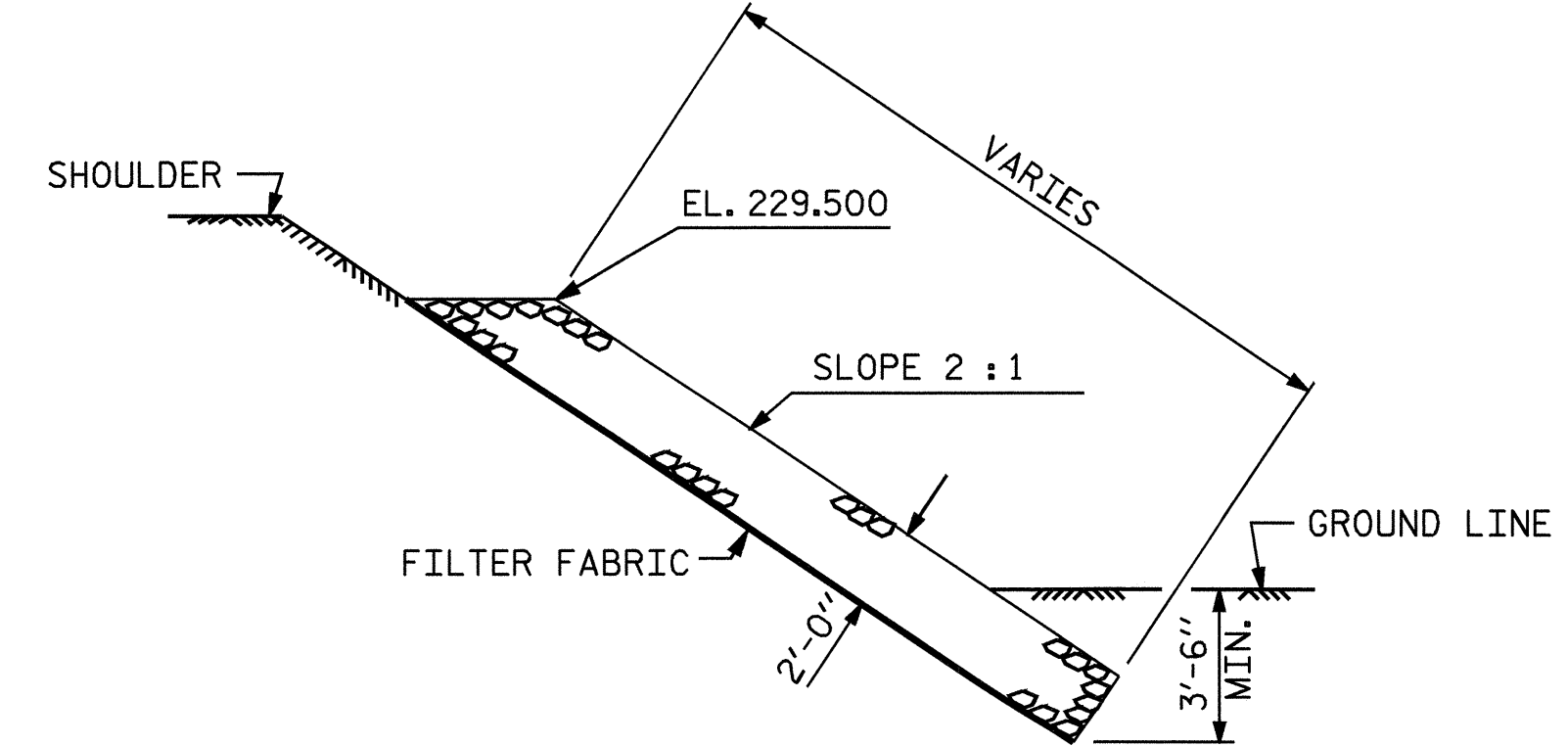
ESTIMATED QUANTITIES		
	PLAIN RIP RAP CLASS II	FILTER FABRIC FOR DRAINAGE
	TONS	SQUARE YARDS
END BENT 1	325	370
END BENT 2	285	320



SECTION H-H



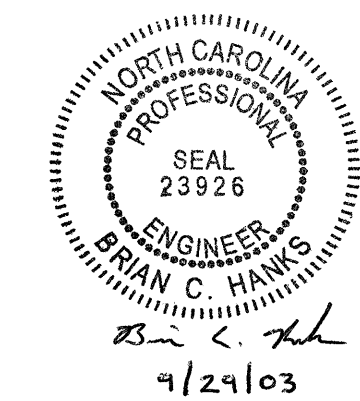
SECTION C-C



SECTION C-C

PROJECT NO. B-2963
DURHAM COUNTY
STATION: 24+92.50-L-

STATE OF NORTH CAROLINA
DEPARTMENT OF TRANSPORTATION
RALEIGH
STANDARD
= RIP RAP DETAILS =



ASSEMBLED BY : <i>William J. Parker</i>	DATE : 05/16/02
CHECKED BY : <i>J. KHARVA</i>	DATE : 9/19/02
DRAWN BY : REK 1/84	REV. 7/17/98 REK/RWW
CHECKED BY : RDU 1/84	REV. 8/16/99 RWW/LES
	REV. 10/17/00 RWW/LES

REVISIONS						SHEET NO.
NO.	BY:	DATE:	NO.	BY:	DATE:	TOTAL SHEETS
1			3			32
2			4			