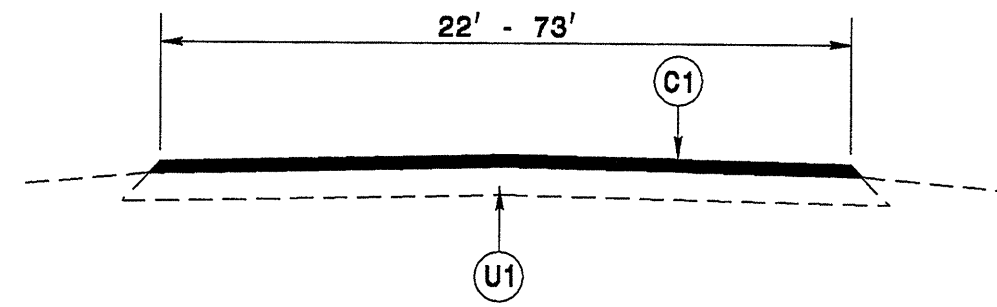
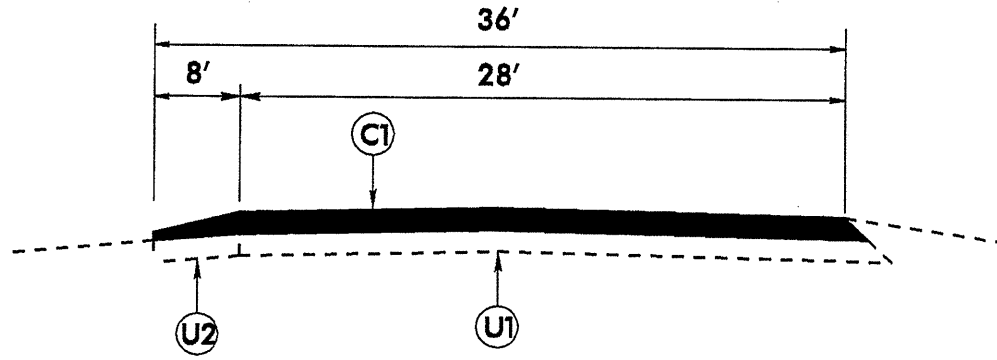


STATE	PROJECT NO.	SHEET NO.	TOTAL SHEETS
N.C.	7CR.10171.5, ETC.	8	16

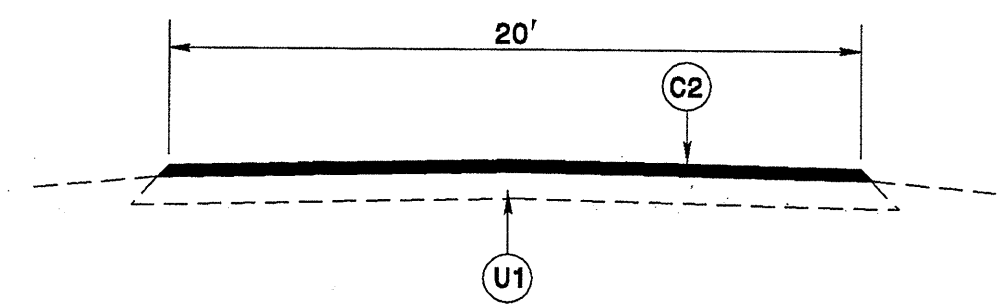
- 7CR.10171.5
- 7CR.10791.5
- 7CR.20171.5
- 7CR.20791.5
- 7CR.307915.5
- 7CR.307918.5
- 7CR.307933.5



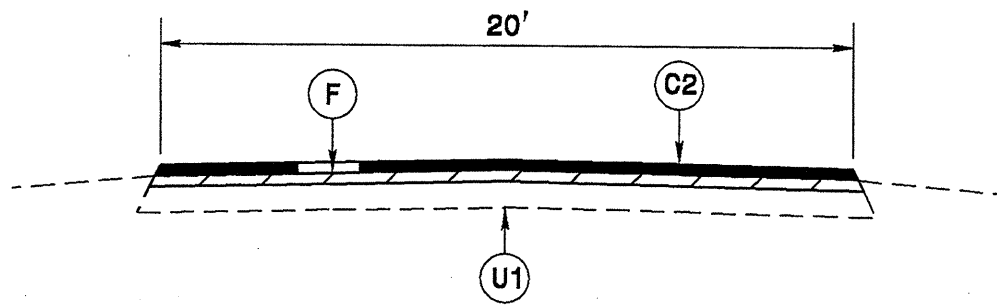
TYPICAL SECTION NO. 1



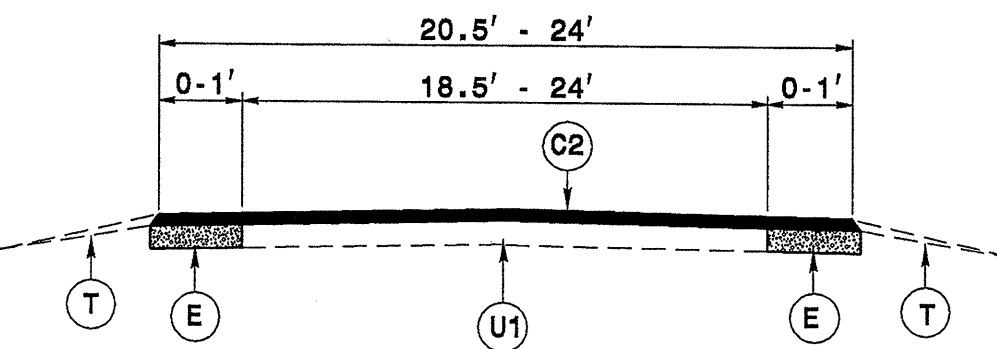
TYPICAL SECTION NO. 2



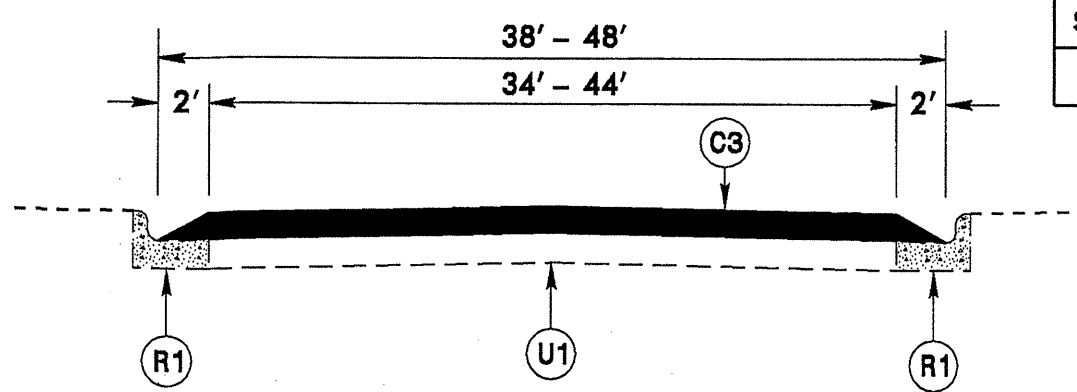
TYPICAL SECTION NO. 3



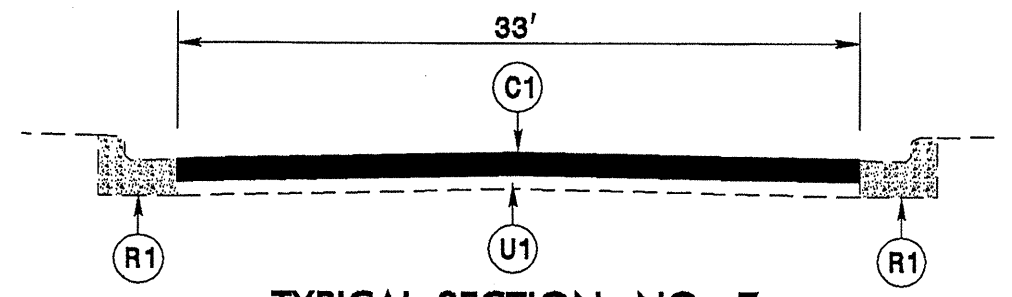
TYPICAL SECTION NO. 4



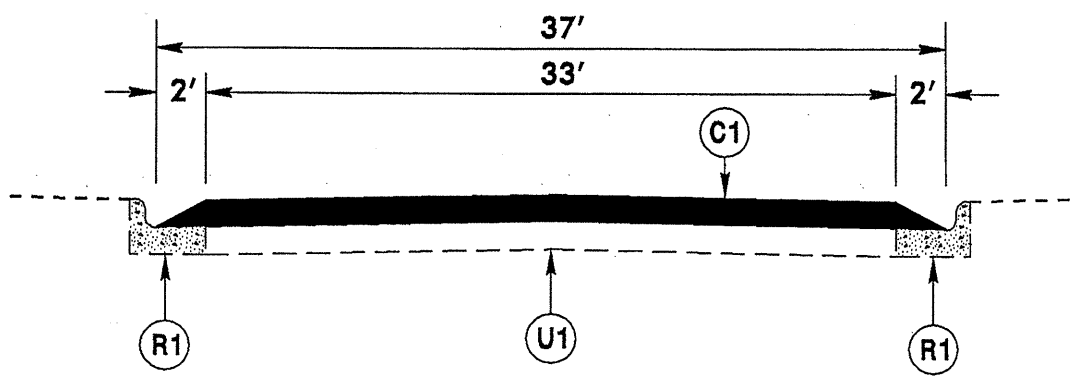
TYPICAL SECTION NO. 5



TYPICAL SECTION NO. 6



TYPICAL SECTION NO. 7



TYPICAL SECTION NO. 8

PAVEMENT SCHEDULE

C1	PROP. APPROX. 1 1/4" ASPHALT CONCRETE SURFACE COURSE, TYPE S9.5B, AT AN AVERAGE RATE OF 140 LBS. PER SQ. YD.	F	ASPHALT SURFACE TREATMENT, NO. 78M STONE, MAT COAT		
C2	PROP. APPROX. 1" ASPHALT CONCRETE SURFACE COURSE, TYPE SF9.5A, AT AN AVERAGE RATE OF 110 LBS. PER SQ. YD.	R1	EXISTING 2-6 CURB AND GUTTER		
C3	PROP. APPROX. 1 1/2" ASPHALT CONCRETE SURFACE COURSE, TYPE S9.5B, AT AN AVERAGE RATE OF 168 LBS. PER SQ. YD.	R2	EXISTING GRANITE CURB	T	SHOULDER RECONSTRUCTION
D	PROP. APPROX. 3" ASPHALT CONCRETE INTERMEDIATE COURSE, TYPE I19.0B, AT AN AVERAGE RATE OF 342 LBS. PER SQ. YD.	U1	EXISTING PAVEMENT.	U2	EXISTING PAVED SHOULDER.
E	PROP. APPROX. 8" ASPHALT CONCRETE BASE COURSE TYPE B25.0B AT AN AVERAGE RATE OF 456 LBS. PER SQ. YD. IN EACH OF TWO LAYERS				