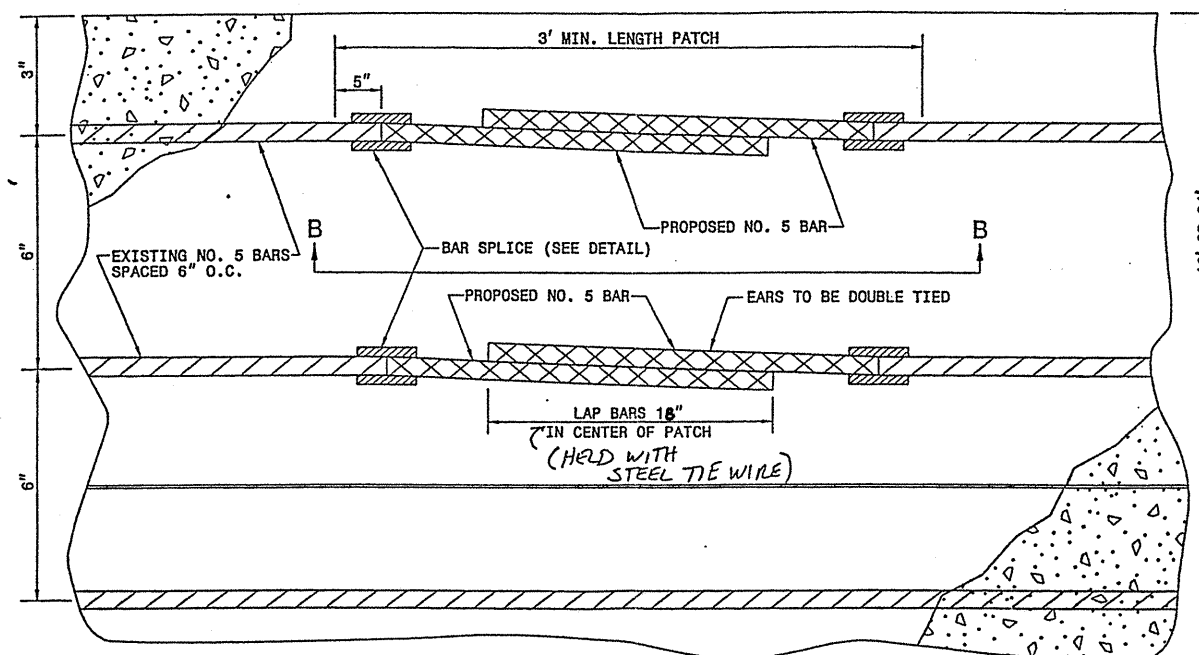
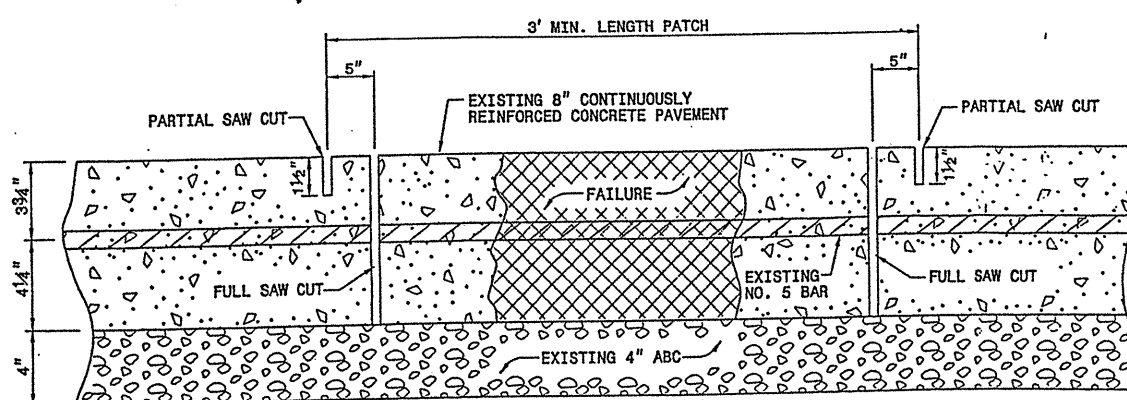


STATE	PROJECT NO.	SHEET NO.	TOTAL SHEETS
N.C.	WBS 38741.3J	3	4
F.A. PROJECT NO.			

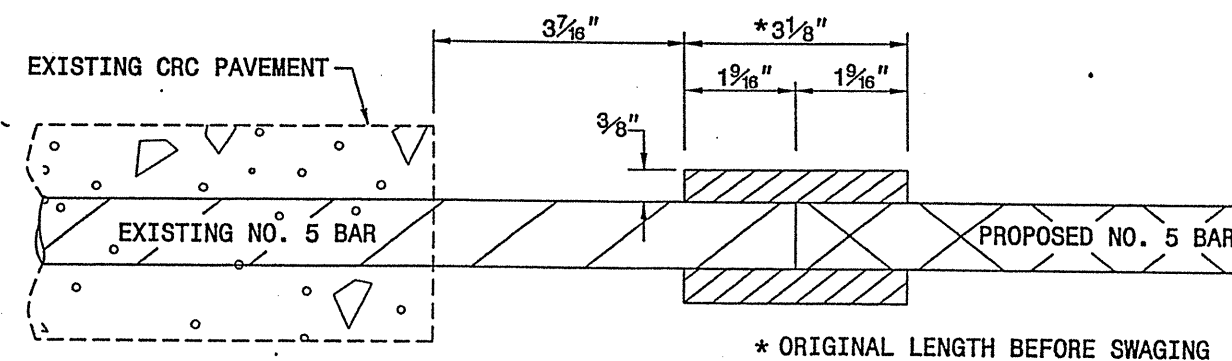


BAR SUPPORTS SHALL BE PLACED ON 5' CENTERS FOR PATCHES GREATER THAN 10' IN LENGTH AND AT CENTER OF PATCH FOR REPAIRS LESS THAN 10'. HEIGHT OF SUPPORTS SHALL BE DETERMINED BY THE CONTRACTOR.

PLAN



DETAIL OF SAW CUTS



DETAIL OF BAR SPLICING

I-85 REHAB.
IN CABARRUS CO.

SCALE	-N/A-
DATE	09/04
DWG. BY	TWB
DESIGN BY	
APPROVED	MPM



REVISIONS

02/05/2004 1:31:19
 c:\pwworkspace\autodesk\autocad\2004\autocad\plotters\ps\nobtbl-85_rehab.dwg
 1:1