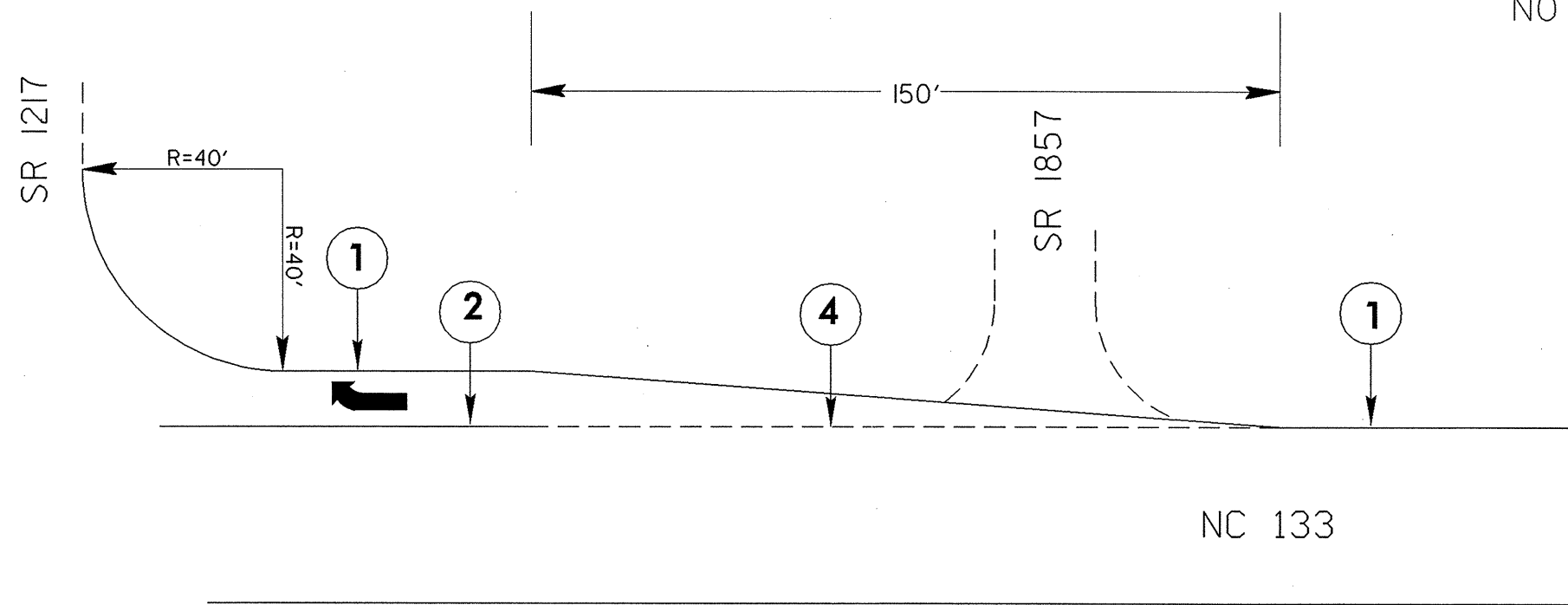


CONSTRUCTION PLAN



PAVEMENT MARKING PLAN

NOT TO SCALE  
MAP NO. 10

- THERMO-PLASTIC MARKINGS
- 1-----4" SOLID WHITE 90ml
  - 2-----4" SOLID WHITE 120ml
  - 3-----4" X 10' WHITE SKIP 120ml
  - 4-----4" X 2' WHITE MINISKIP 120ml
  - 5-----4" SOLID YELLOW 90ml
  - 6-----4" SOLID YELLOW 120ml
  - 7-----2 @ 4" DOUBLE YELLOW 120ml
  - 8-----8" WHITE DIAG 90ml
  - 9-----8" WHITE DIAG 120ml
  - 10-----8" YELLOW DIAG 90ml
  - 11-----8" YELLOW DIAG 120ml
  - 12-----8" SOLID WHITE 120ml
  - 13-----8" SOLID YELLOW 120ml
  - 14-----8" SOLID WHITE 120ml
  - 15-----4" PROFILED SOLID WHITE
  - 16-----4" PROFILED SOLID YELLOW
  - 17-----4" PROFILED SKIP WHITE
  - 18-----4" PROFILED SKIP YELLOW
  - 19-----4" PROFILED DOUBLE YELLOW