

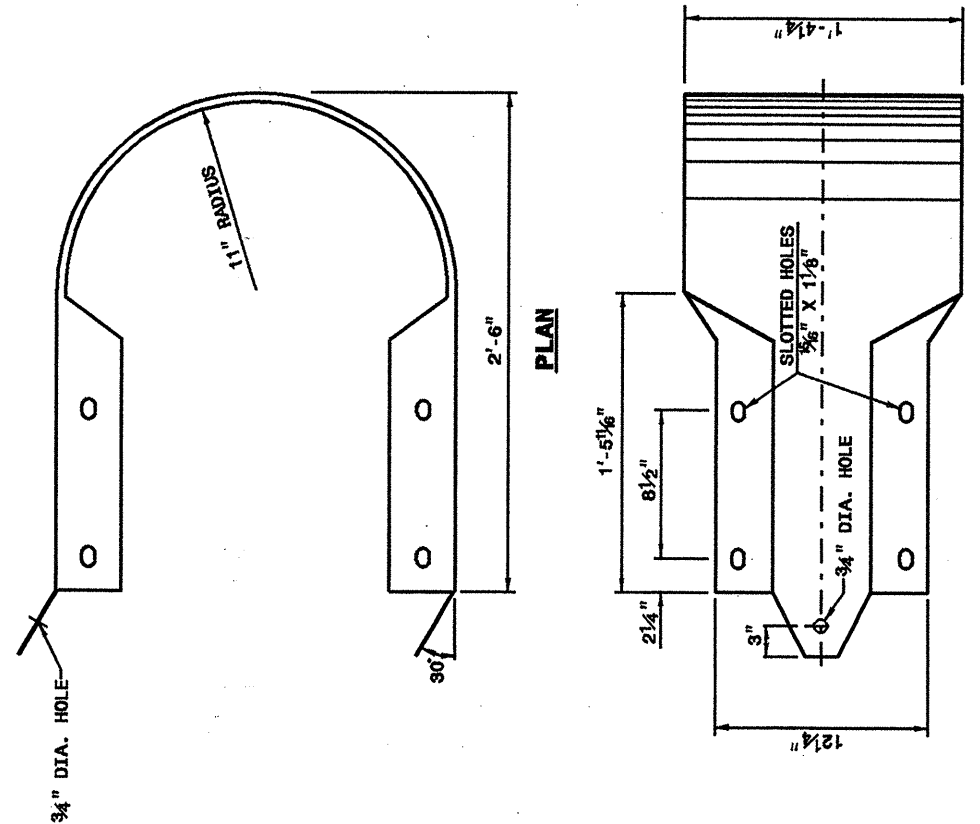
5/14/99

30-JUN-2003 10:35
X:\Special Details\standards\02' Stds to Special Details\english\86202\86202.dgn
erickson AT 05212260

STATE OF
NORTH CAROLINA
DEPT. OF TRANSPORTATION
DIVISION OF HIGHWAYS
RALEIGH, N.C.

ENGLISH DETAIL DRAWING FOR
GUARDRAIL INSTALLATION

SHEET 7 OF 7
862D02



STATE OF
NORTH CAROLINA
DEPT. OF TRANSPORTATION
DIVISION OF HIGHWAYS
RALEIGH, N.C.

ENGLISH DETAIL DRAWING FOR
GUARDRAIL INSTALLATION

SHEET 7 OF 7
862D02

PROJECT REFERENCE NO.	SHEET NO.
3CR.10101.12	24
3CR.301024.12	39181
	39190

DESIGN SERVICES UNIT
STANDARDS AND SPECIAL DESIGN
Office 919-250-4128 FAX 919-250-4119

SEE PLATE FOR TITLE

ORIGINAL BY: 2002 STD. 862.02 DATE:
MODIFIED BY: E.E. WARD DATE: 02-09-03
CHECKED BY: [Signature] DATE: 7-03
FILE SPEC.: /usr/box8/02todetail/eng11on/86202/86202.dgn