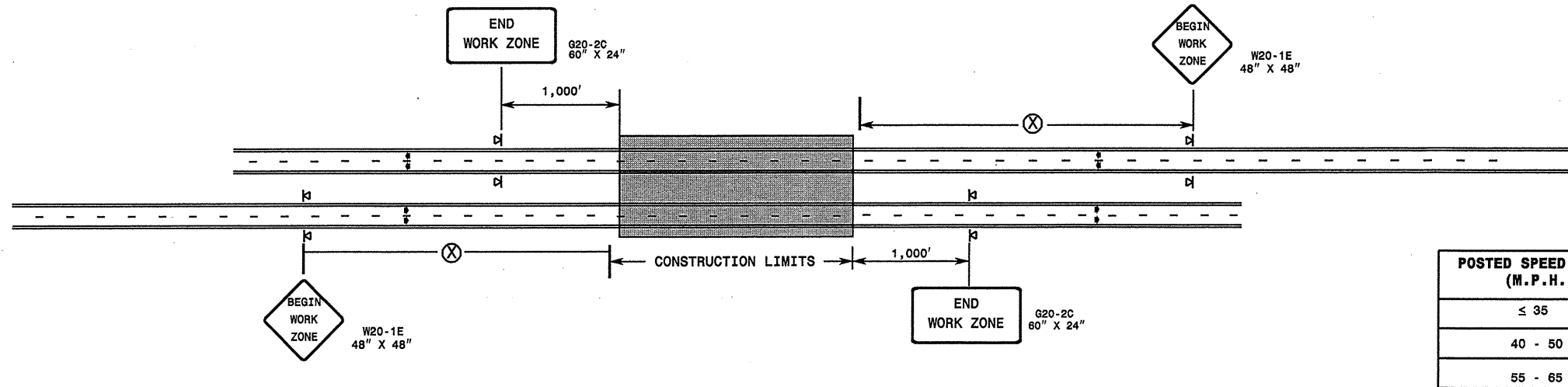


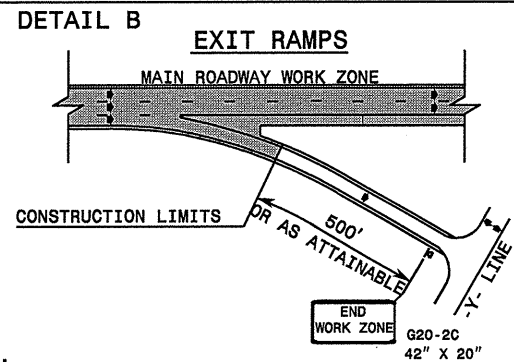
DETAIL A



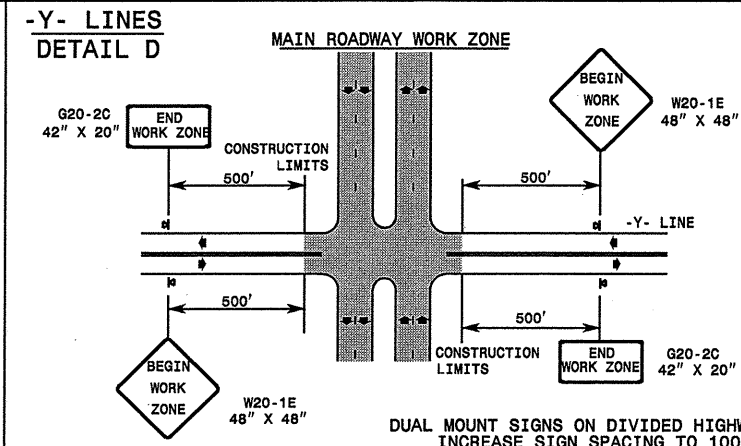
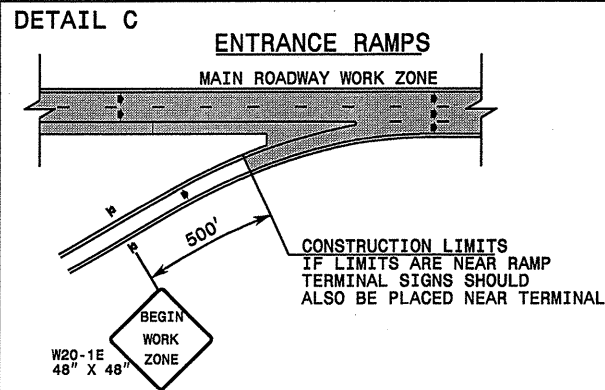
| POSTED SPEED LIMIT (M.P.H.) | RECOMMENDED MINIMUM SIGN SPACING |
|-----------------------------|----------------------------------|
| ≤ 35 | 1200' |
| 40 - 50 | 2200' |
| 55 - 65 | 6800' |

STATE OF NORTH CAROLINA
DEPT. OF TRANSPORTATION
DIVISION OF HIGHWAYS
RALEIGH, N.C.

ROADWAYS INTERSECTING ALONG HIGHWAY WORK ZONE



NOTE:
SIGN NOT REQUIRED IF ADVANCE WARNING SIGNS HAVE BEEN PLACED ALONG -Y- LINE THAT RAMP INTERSECTS. IF CONSTRUCTION LIMITS ARE AT END OF RAMP, PLACE SIGN AT END OF RAMP.



GENERAL NOTES


- DO NOT INSTALL ADVANCE WARNING SIGNS MORE THAN 3 DAYS PRIOR TO BEGINNING OF WORK.
- ALL SIGN SPACING DIMENSIONS ARE APPROXIMATE, FIELD ADJUST AS NECESSARY OR AS DIRECTED.
- WHEN THERE ARE CONSTRUCTION LIMITS ON A DIVIDED -Y- LINE GREATER THAN 1 MILE IN LENGTH, USE THE SAME SIGNING AS FOR A MAIN ROADWAY WORK ZONE. (SEE DETAIL A)
- USE PORTABLE SIGNS.

LEGEND

| | |
|---|---------------------------|
| ⊠ | PORTABLE SIGN |
| ➔ | DIRECTION OF TRAFFIC FLOW |

DETAIL DRAWING FOR
INTERSTATE AND FREEWAY
WORK ZONE SIGNS
(SHORT-DURATION LANE CLOSURES)

SHEET 1 OF 1

| APPROVED: _____ DATE: _____ | DETAIL DRAWING FOR INTERSTATE AND FREEWAY WORK ZONE SIGNS | | | | |
|-----------------------------|---|-----------|--|--|--|
| SEAL | | | | | |
| SCALE: NONE | <table border="1"> <tr> <th>REVISIONS</th> </tr> <tr> <td> </td> </tr> <tr> <td> </td> </tr> <tr> <td> </td> </tr> </table> | REVISIONS | | | |
| REVISIONS | | | | | |
| | | | | | |
| | | | | | |
| | | | | | |
| DATE: 09-06-2001 | | | | | |
| DWG. BY: MMM | | | | | |
| DESIGN BY: MMM | | | | | |
| REVIEWED BY: _____ |  | | | | |