

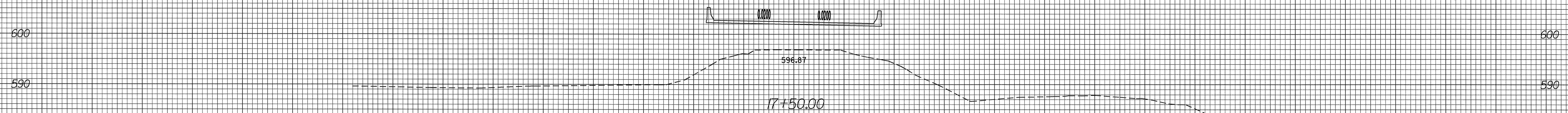
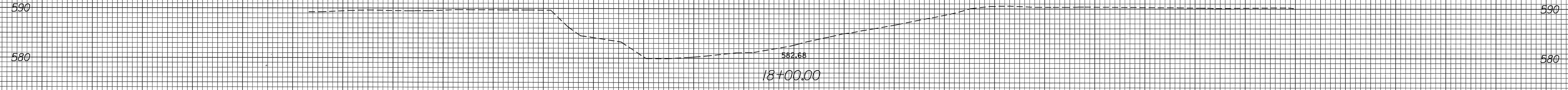
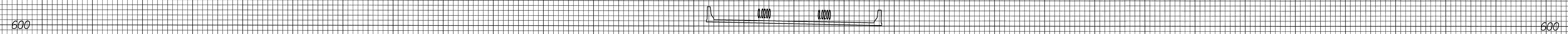
8/23/99



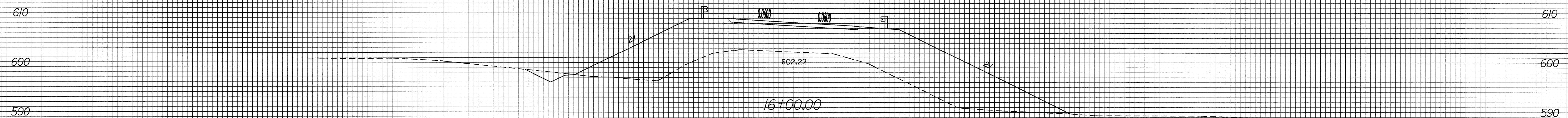
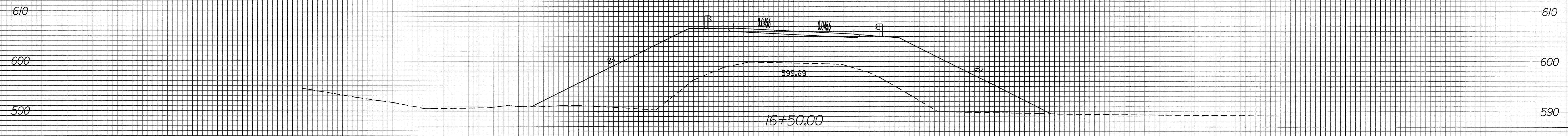
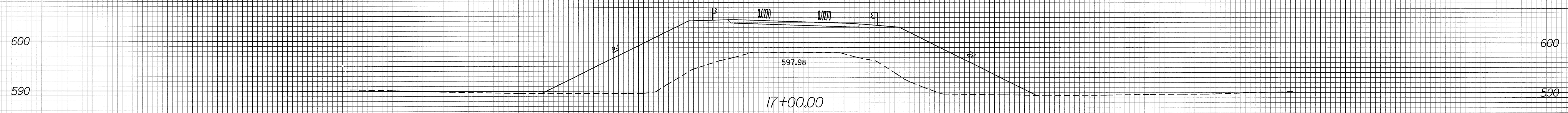
PROJ. REFERENCE NO.
B-3696

SHEET NO.
X-4

150 140 130 120 110 100 90 80 70 60 50 40 30 20 10 0 10 20 30 40 50 60 70 80 90 100 110 120 130 140 150



BEGIN BRIDGE -L- STA. 17+40.00



150 140 130 120 110 100 90 80 70 60 50 40 30 20 10 0 10 20 30 40 50 60 70 80 90 100 110 120 130 140 150

13-JUL-2004 14:54
R:\XSC\B3696_rdy_final_xpl.dgn
twhite