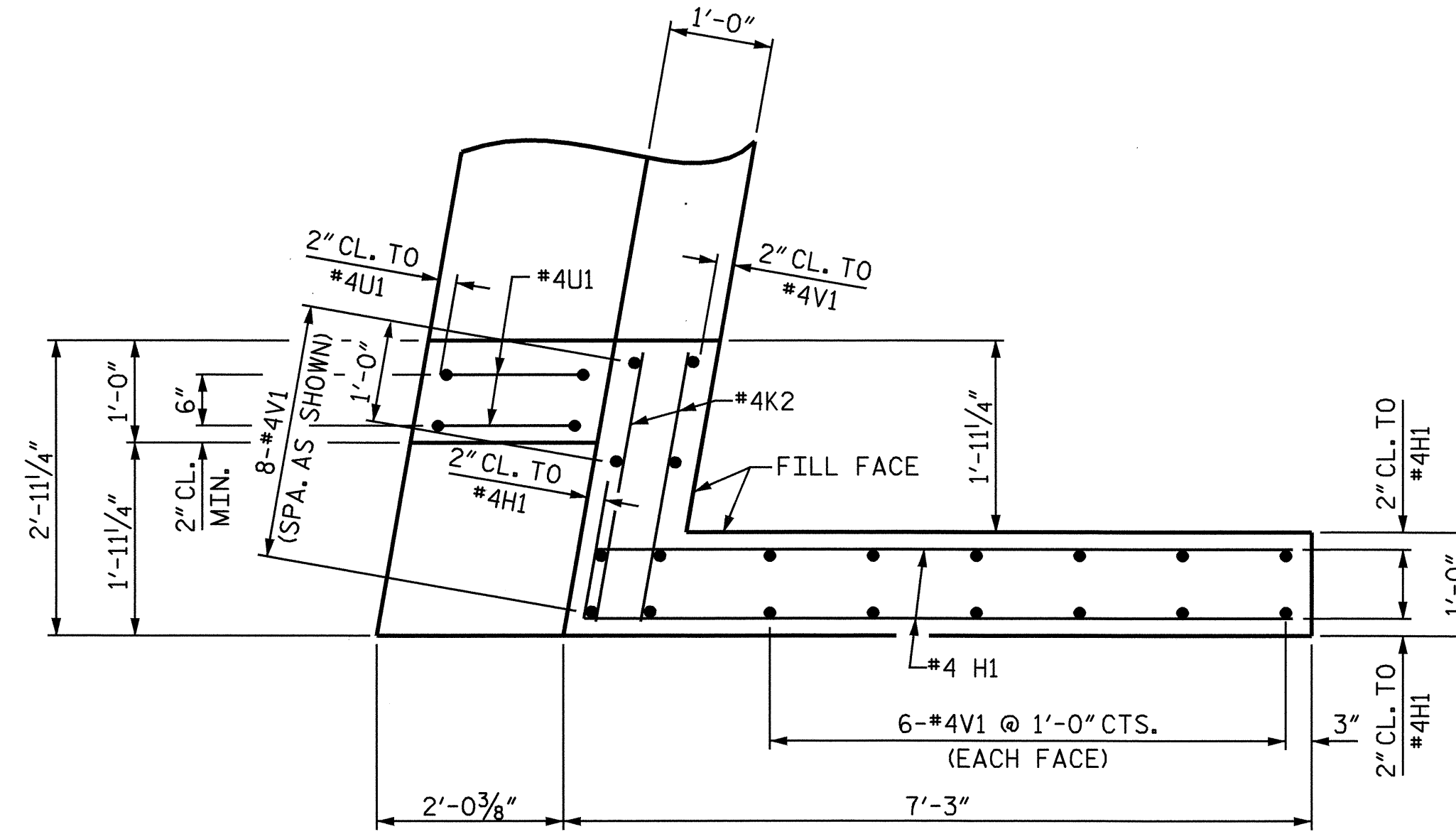
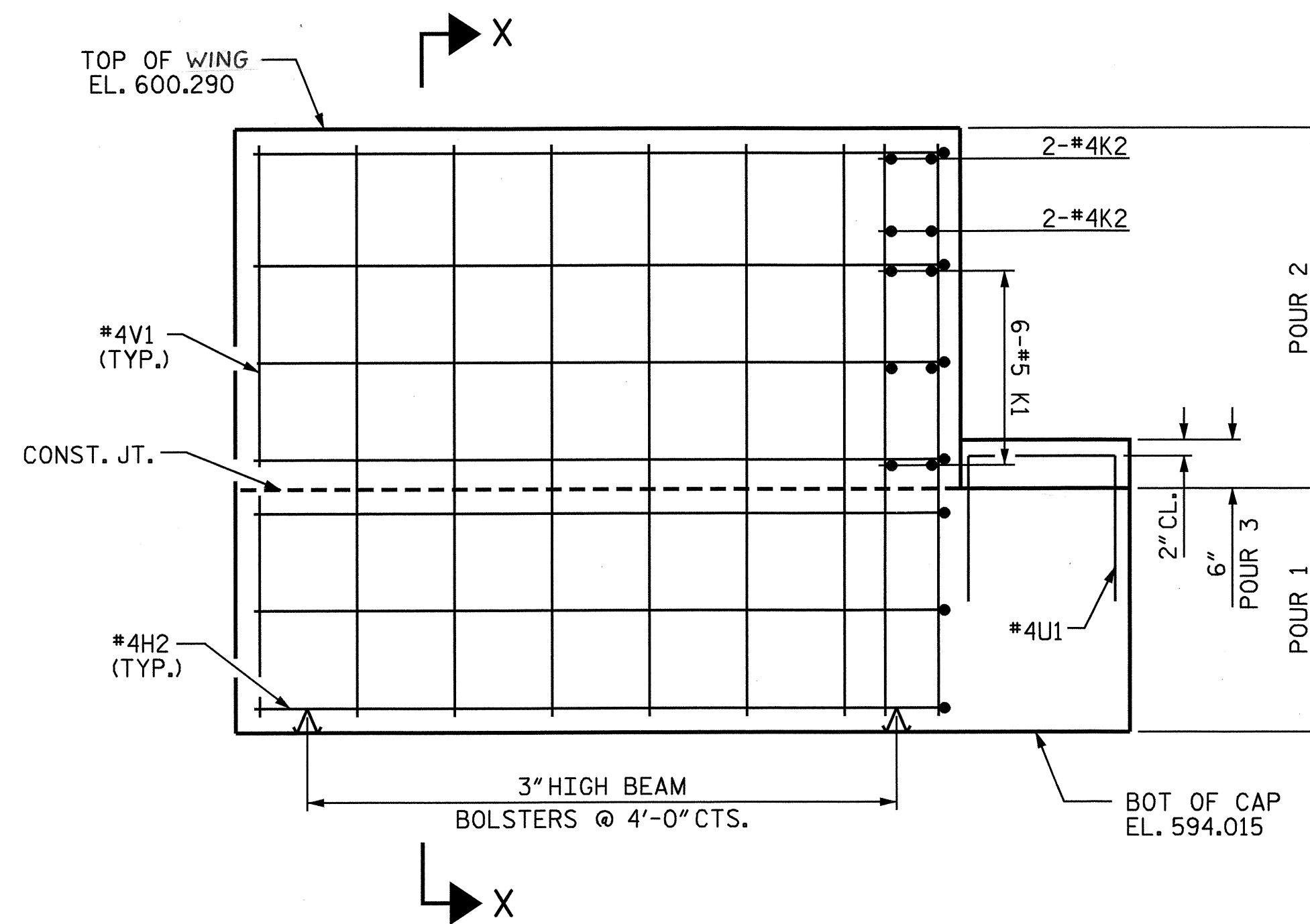


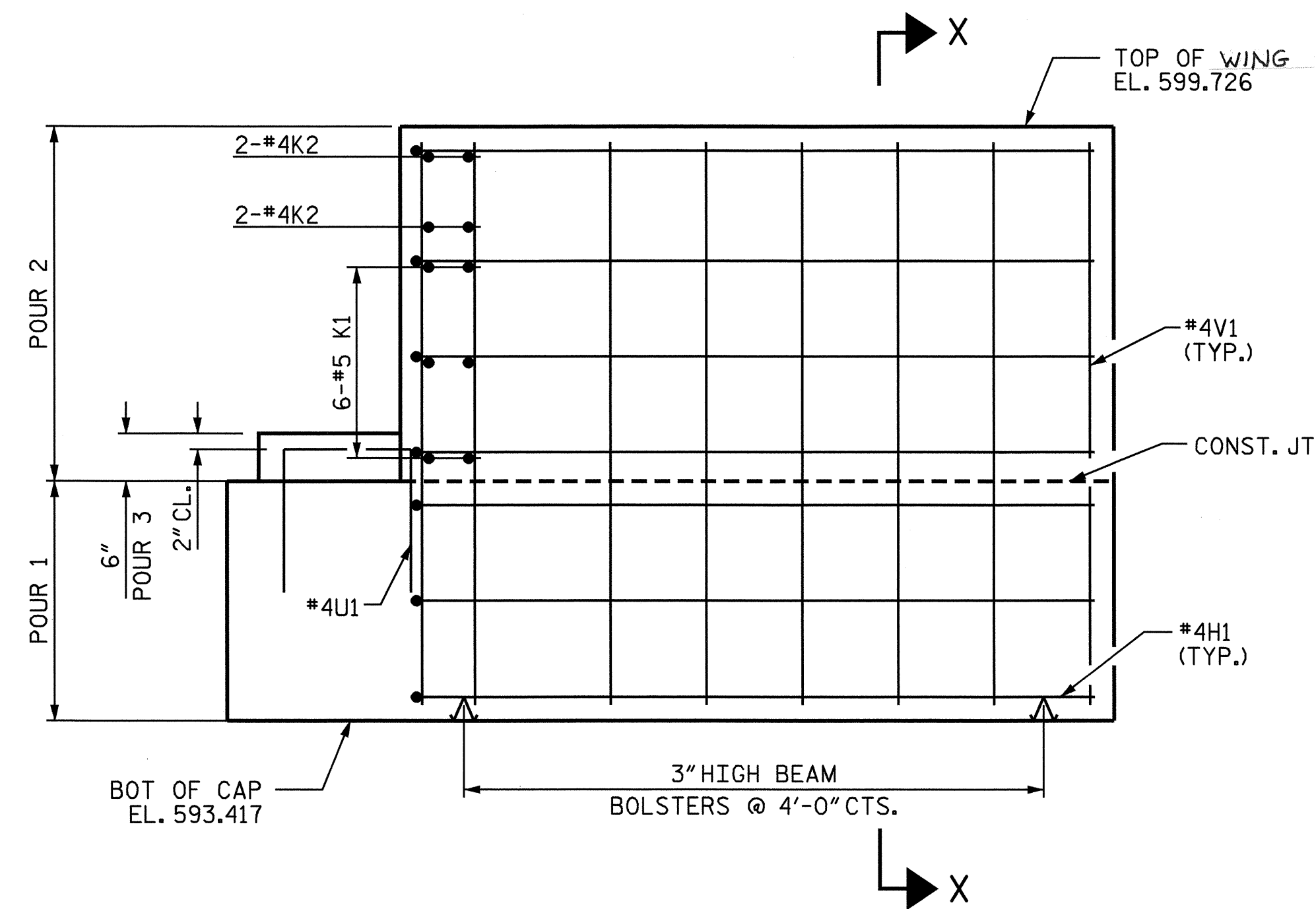
PLAN OF LEFT WING - W1



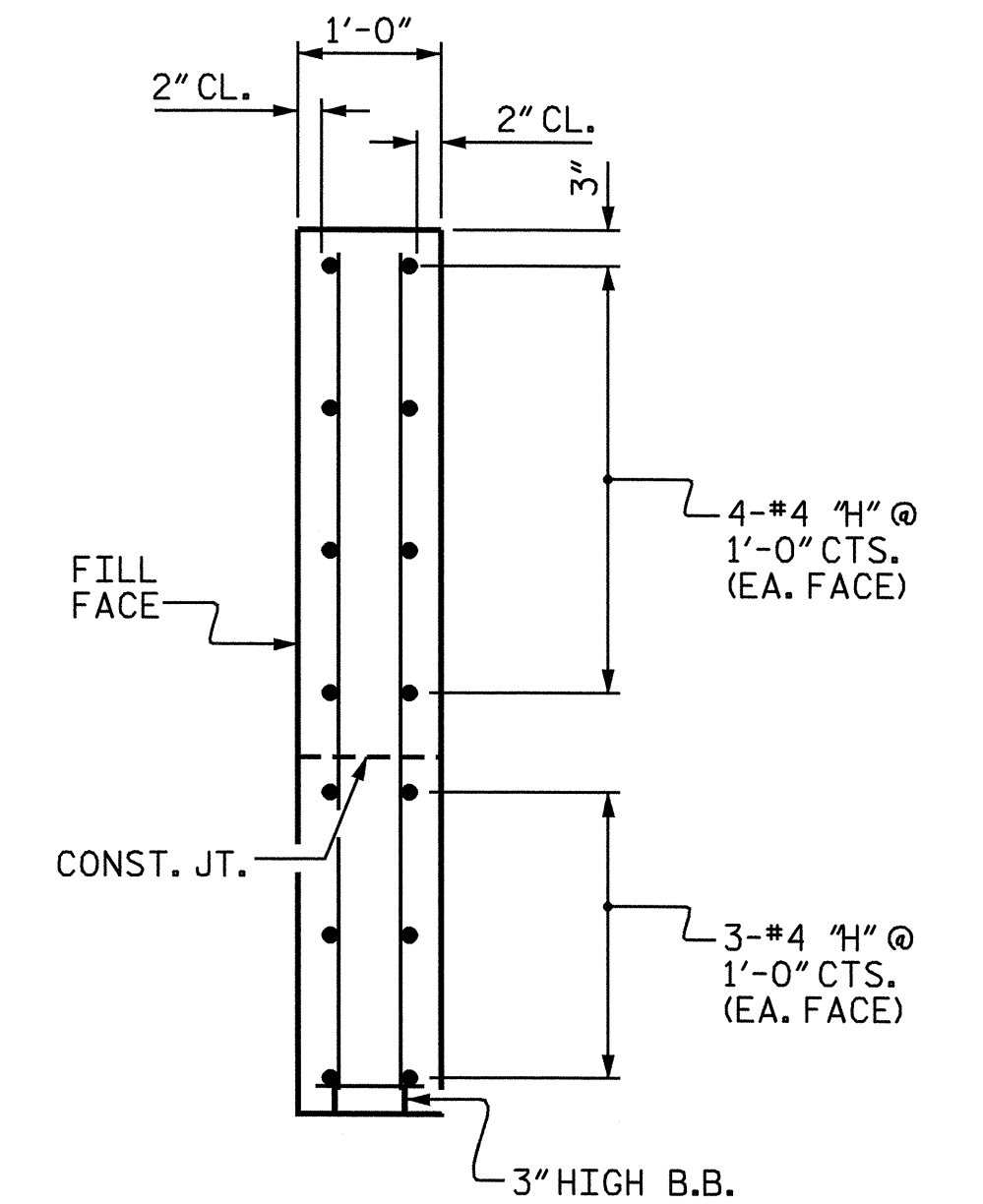
PLAN OF RIGHT WING - W2



ELEVATION OF LEFT WING - W1



ELEVATION OF RIGHT WING - W2



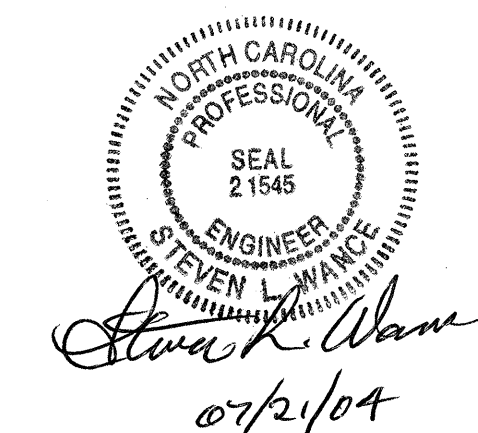
SECTION X-X

PROJECT NO. B-3696
ROCKINGHAM COUNTY
 STATION: 17+87.50 -L-

SHEET 2 OF 3

STATE OF NORTH CAROLINA
 DEPARTMENT OF TRANSPORTATION
 RALEIGH

SUBSTRUCTURE
 END BENT 2



DRAWN BY: W.K. FISCHER DATE: 4/15/04
 CHECKED BY: S. WANCE DATE: 5/18/04

16-JUN-2004 10:19
 W:\SquadM\B3696\wkfisher\Microstation\B-3696.sd.E*.01.dgn
 wkfisher

REVISIONS						SHEET NO.
NO.	BY:	DATE:	NO.	BY:	DATE:	S-12
1			3			TOTAL SHEETS
2			4			13