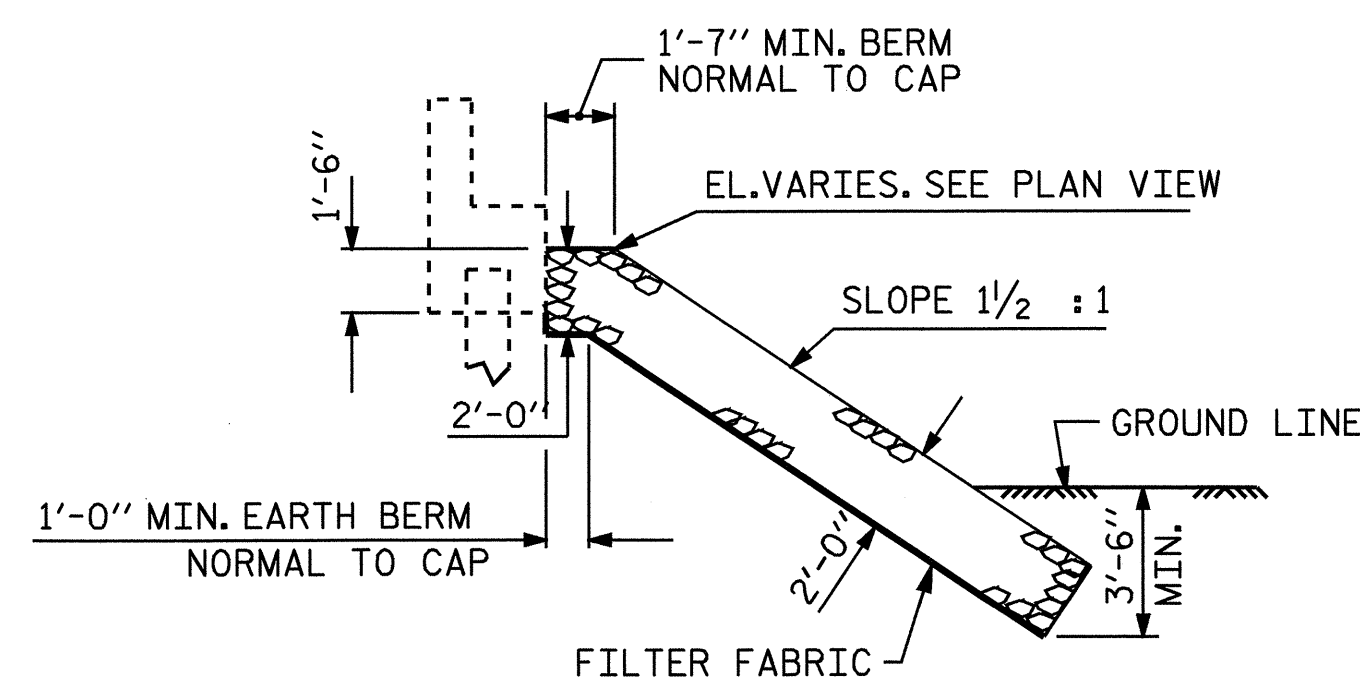


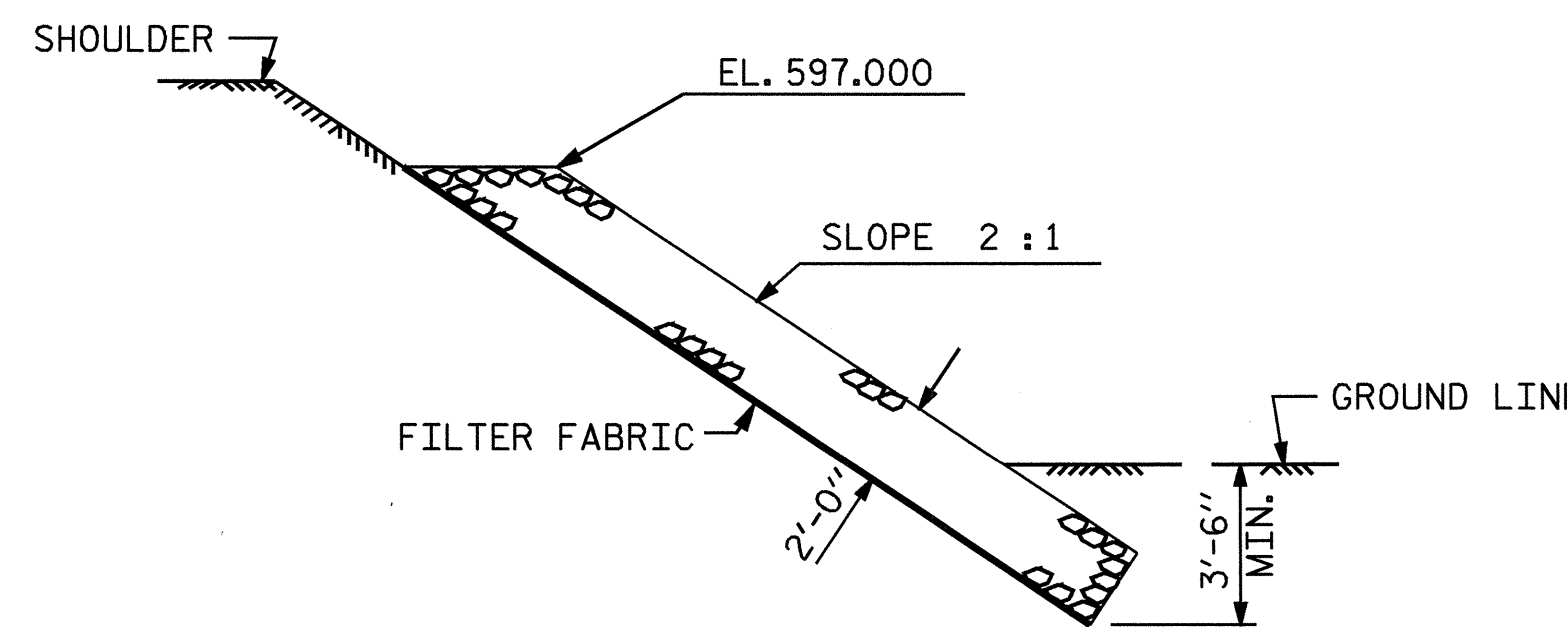
PLAN OF RIP RAP

ESTIMATED QUANTITIES		
BRIDGE @ STA. 17+87.50 -L-	PLAIN RIP RAP CLASS II	FILTER FABRIC FOR DRAINAGE
	TONS	SQUARE YARDS
END BENT 1	190	215
END BENT 2	140	160

NOTE: FILTER FABRIC SHALL BE PLACED UNDER ENTIRE AREA OF RIP RAP

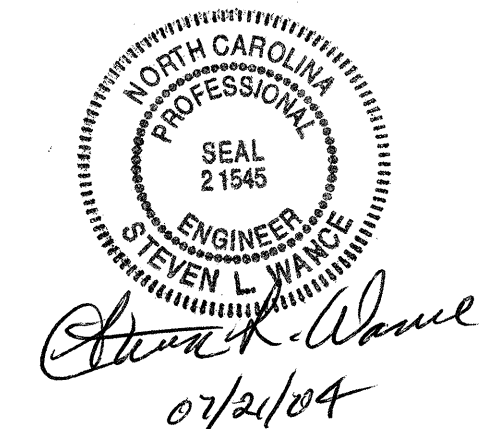


SECTION C-C  
BERM RIP RAPPED



SECTION C-C

PROJECT NO. B-3696  
ROCKINGHAM COUNTY  
 STATION: 17+87.50 -L-



STATE OF NORTH CAROLINA DEPARTMENT OF TRANSPORTATION RALEIGH					
STANDARD = RIP RAP DETAILS =					
REVISIONS					SHEET NO.
NO.	BY:	DATE:	NO.	BY:	DATE:
1			3		
2			4		
					TOTAL SHEETS
					18

ASSEMBLED BY : N. Q. TRAN	DATE : 4-04
CHECKED BY : S. M. RASHTDI	DATE : 5-04
DRAWN BY : REK 1/84	REV. 7/17/98 REK/RWW
CHECKED BY : RDU 1/84	REV. 8/16/99 RWW/LES
	REV. 10/17/00 RWW/LES