

NOTES

FOR ELASTOMERIC BEARINGS, SEE SPECIAL PROVISIONS.

AT ALL FIXED POINTS OF SUPPORT, NUTS FOR ANCHOR BOLTS ARE TO BE TIGHTENED FINGER TIGHT AND THEN BACKED OFF 1/2 TURN. THE THREAD OF THE NUT AND BOLT SHALL THEN BE BURRED WITH A SHARP POINTED TOOL.

THE 2" Ø PIPE SLEEVE SHALL BE CUT FROM SCHEDULE 40 PVC PLASTIC PIPE. THE PVC PLASTIC PIPE SHALL MEET THE REQUIREMENTS OF ASTM D1785.

STEEL SOLE PLATES, ANCHOR BOLTS, NUTS, AND WASHERS SHALL BE GALVANIZED IN ACCORDANCE WITH THE STANDARD SPECIFICATIONS.

PRIOR TO WELDING, GRIND THE GALVANIZED SURFACE OF THE PORTION OF THE EMBEDDED PLATE AND SOLE PLATE THAT ARE TO BE WELDED. AFTER WELDING, DAMAGED GALVANIZED SURFACES SHALL BE REPAIRED IN ACCORDANCE WITH THE STANDARD SPECIFICATIONS.

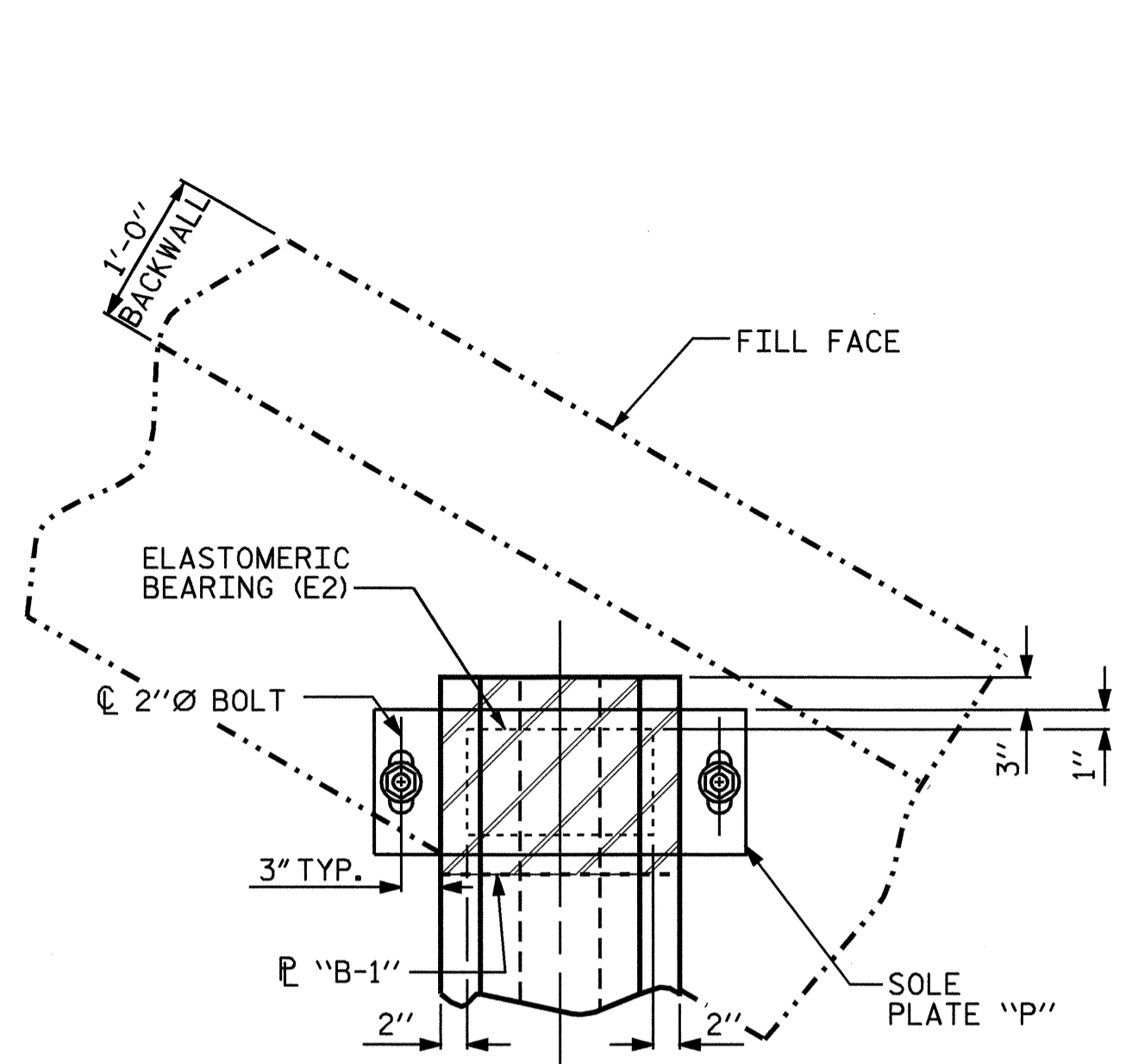
WHEN WELDING THE SOLE PLATE TO THE EMBEDDED PLATE IN THE GIRDER, USE TEMPERATURE INDICATING WAX PENS, OR OTHER SUITABLE MEANS, TO ENSURE THAT THE TEMPERATURE OF THE SOLE PLATE DOES NOT EXCEED 300°F. TEMPERATURES ABOVE THIS MAY DAMAGE THE ELASTOMER.

SOLE PLATE "P", BOLTS, NUTS, WASHERS, AND PIPE SLEEVE SHALL BE INCLUDED IN THE PAY ITEM FOR PRESTRESSED CONCRETE GIRDERS.

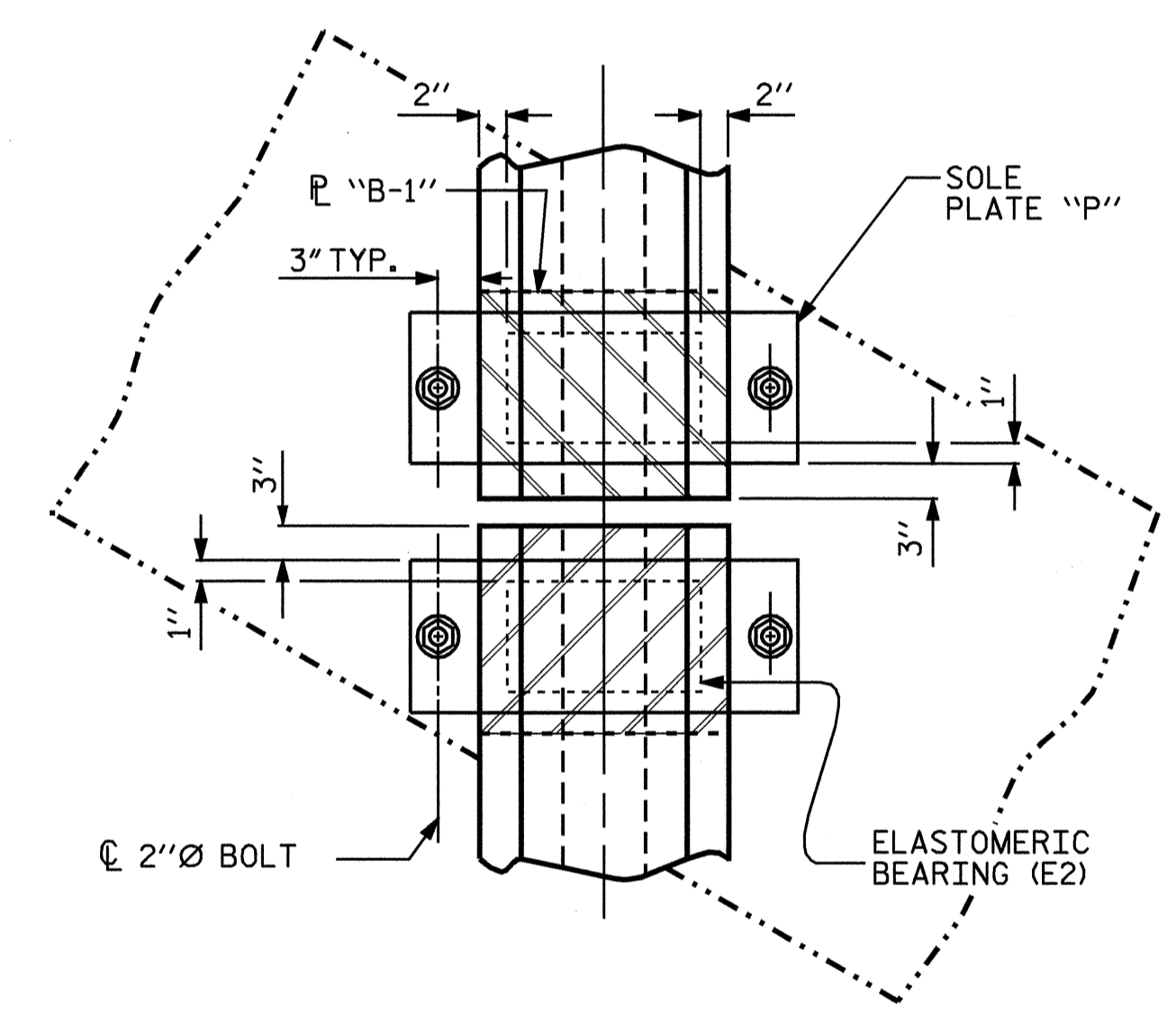
ANCHOR BOLTS SHALL MEET THE REQUIREMENTS OF ASTM A449. NUTS SHALL MEET THE REQUIREMENTS OF AASHTO M291-DH OR AASHTO M292-2H. WASHERS SHALL MEET THE REQUIREMENTS OF AASHTO M293. SHOP DRAWINGS ARE NOT REQUIRED FOR ANCHOR BOLT, NUTS AND WASHERS. SHOP INSPECTION IS REQUIRED.

ALL SURFACES OF BEARING PLATES SHALL BE SMOOTH AND STRAIGHT.

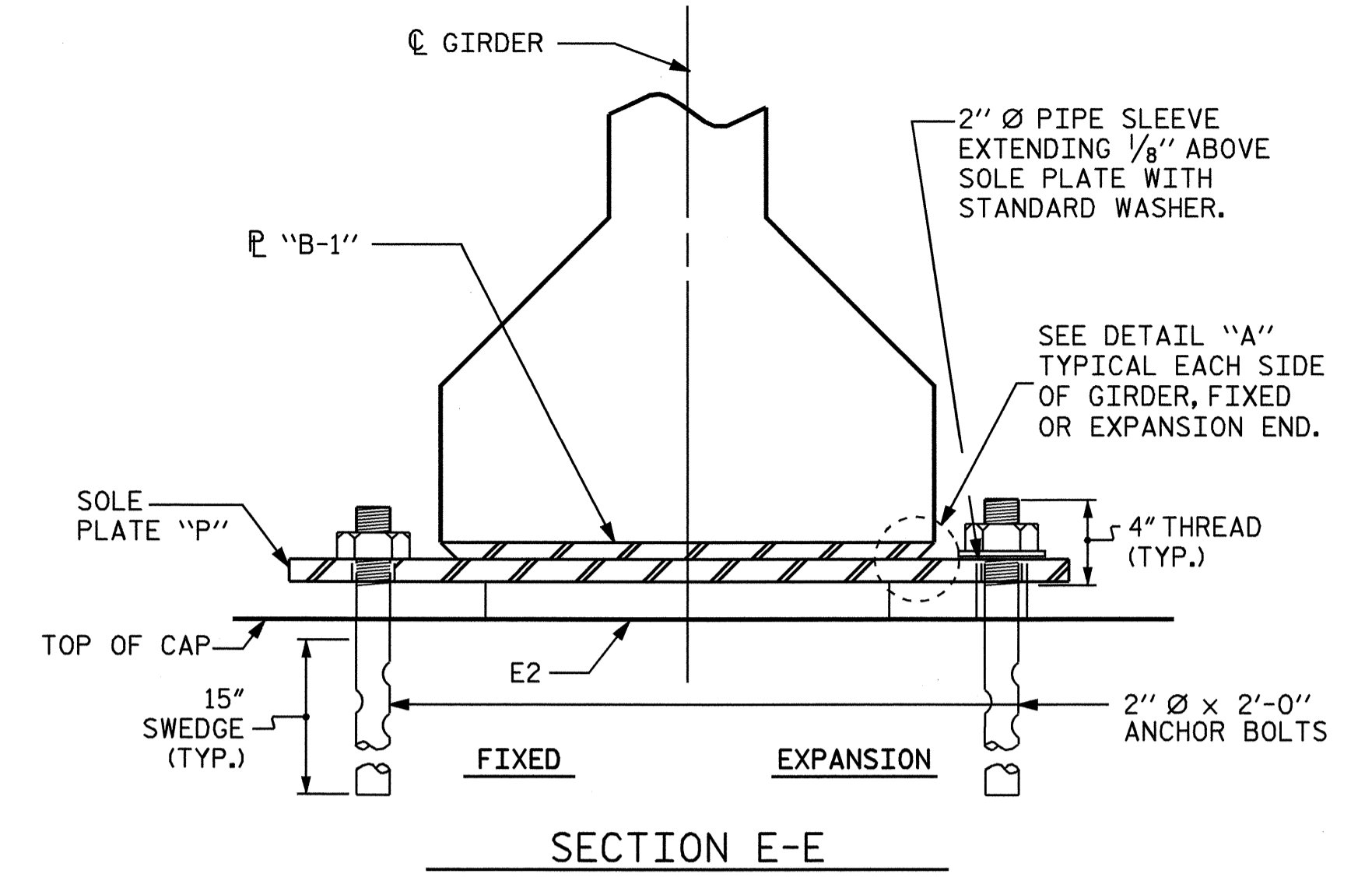
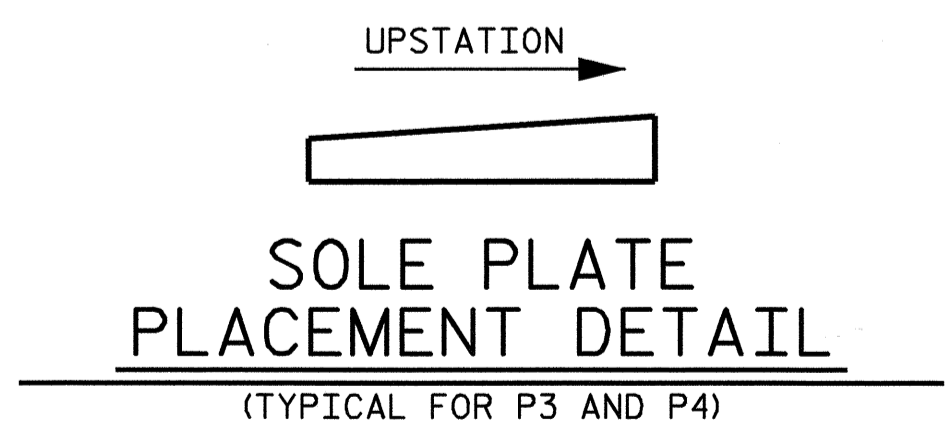
ELASTOMER IN ALL BEARINGS SHALL BE 60 DUROMETER HARDNESS.



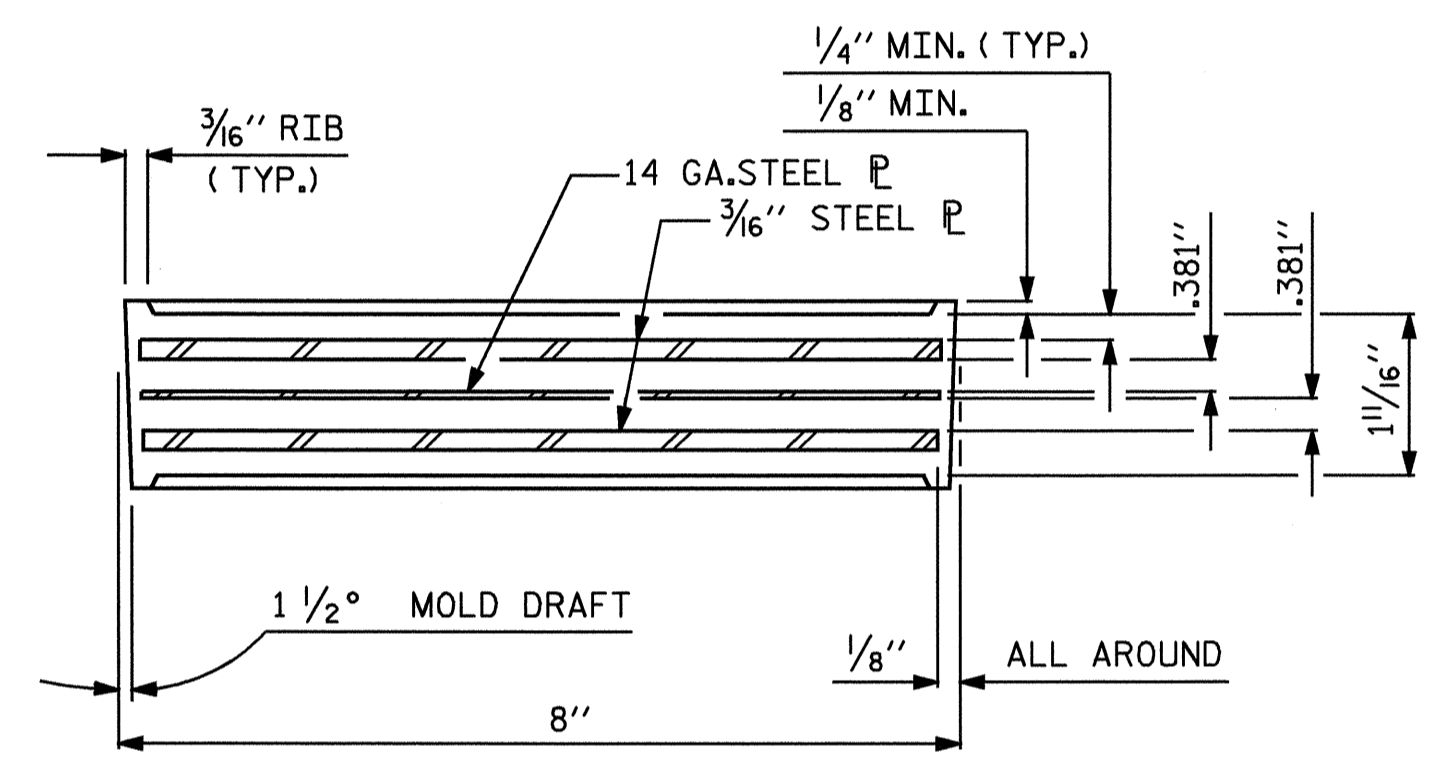
PLAN VIEW AT END BENTS
(EXPANSION)



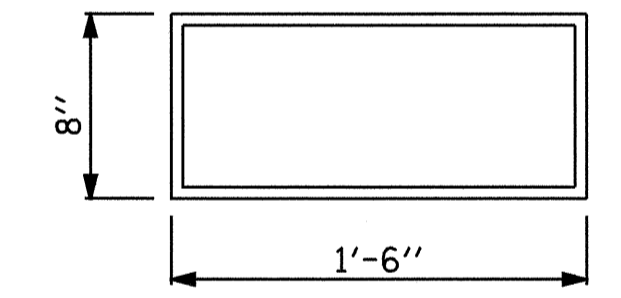
PLAN VIEW AT BENTS
(FIXED)



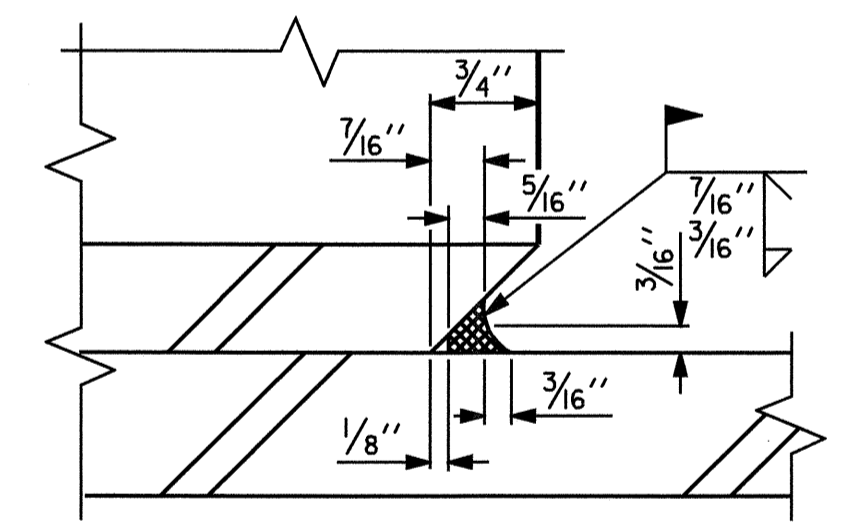
SECTION E-E



TYPICAL SECTION OF ELASTOMERIC BEARINGS

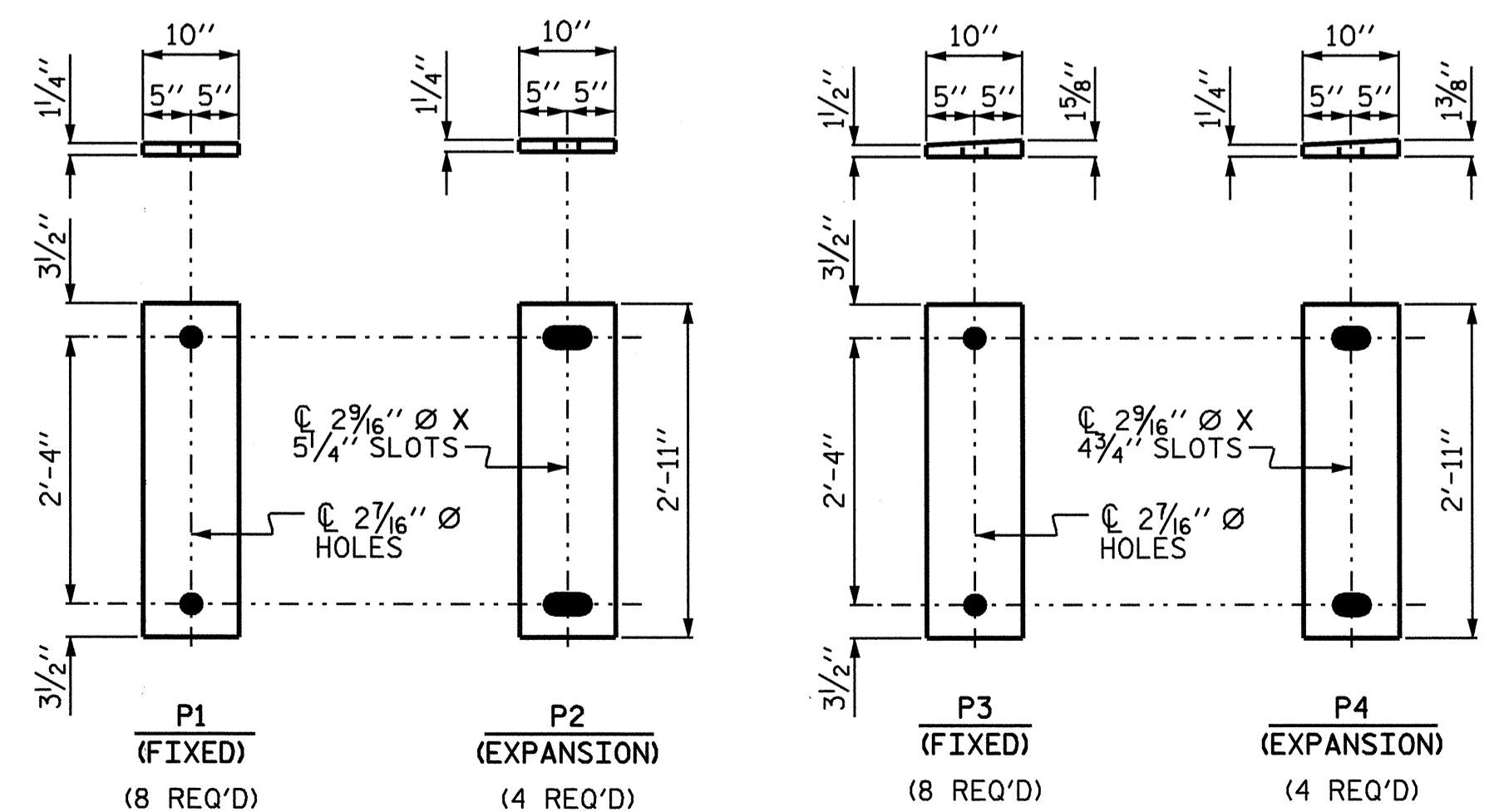


E2 (24 REQ'D)
PLAN VIEW OF ELASTOMERIC BEARING
TYPE III
(60 DUROMETER HARDNESS)



DETAIL "A"

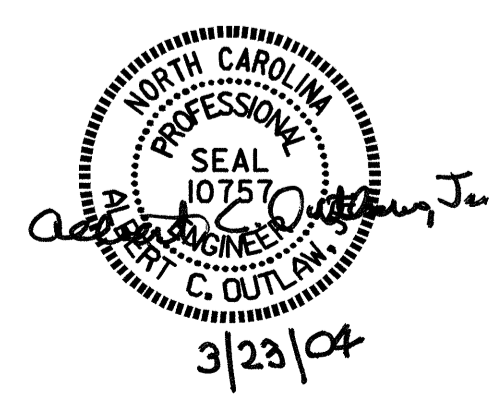
LOAD RATINGS	
	MAX.D.L.+L.L.
45" PCG-TYPE III	167 K



SOLE PLATE DETAILS "P"

PROJECT NO. B-3885
ORANGE COUNTY
 STATION: 17+75.00 -L-

STATE OF NORTH CAROLINA
 DEPARTMENT OF TRANSPORTATION
 RALEIGH
STANDARD ELASTOMERIC BEARING DETAILS
 PRESTRESSED CONCRETE GIRDER SUPERSTRUCTURE



ASSEMBLED BY : P.C. BREWER DATE : 6/5/03
 CHECKED BY : S.B. WILLIAMS DATE : 7/31/03
 DRAWN BY : WJH 8/89 REV. 8/16/99 RWW/LES
 CHECKED BY : CRK 8/89 REV. 10/17/00 RWW/LES
 REV. 7/10/01 RWW/LES

REVISIONS						SHEET NO.
NO.	BY:	DATE:	NO.	BY:	DATE:	S-15
1			3			TOTAL SHEETS
2			4			33