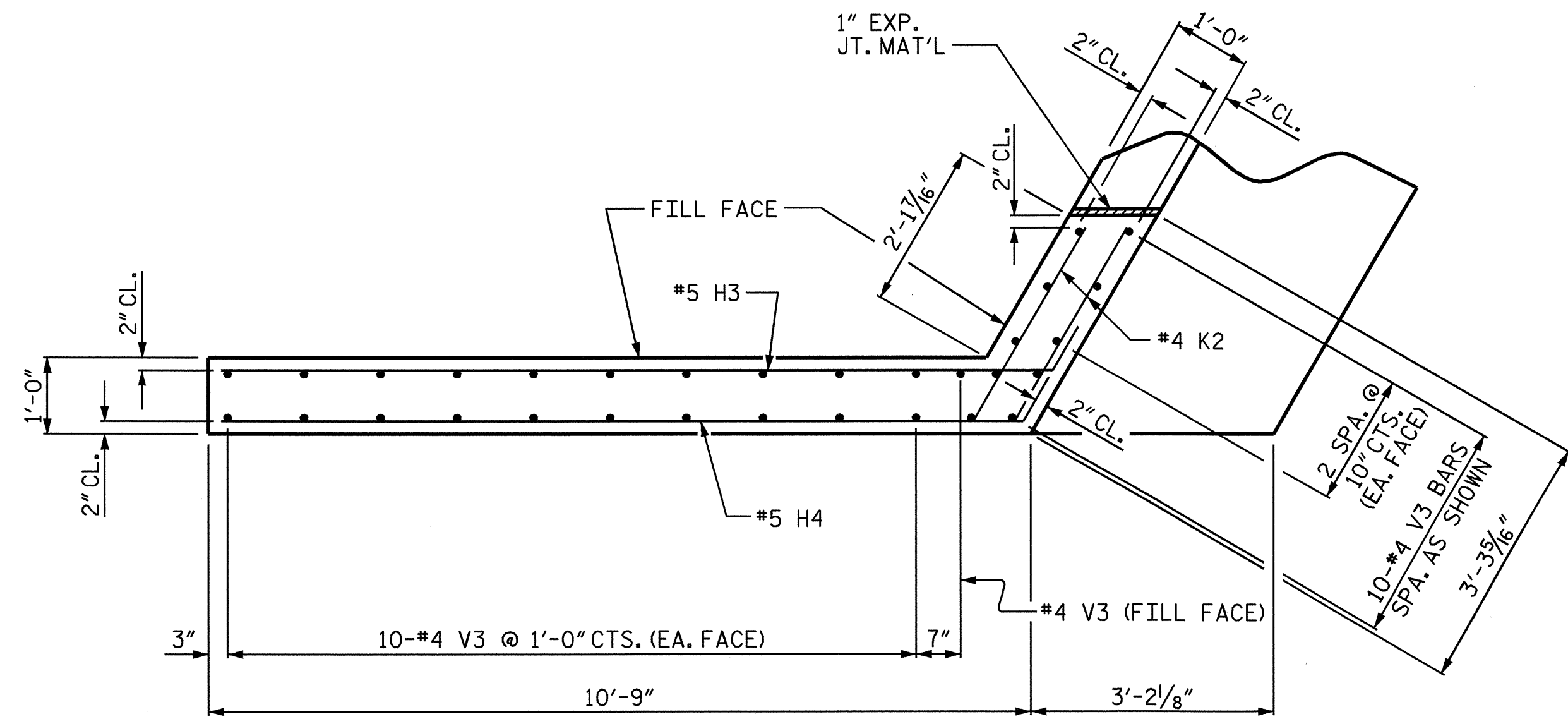
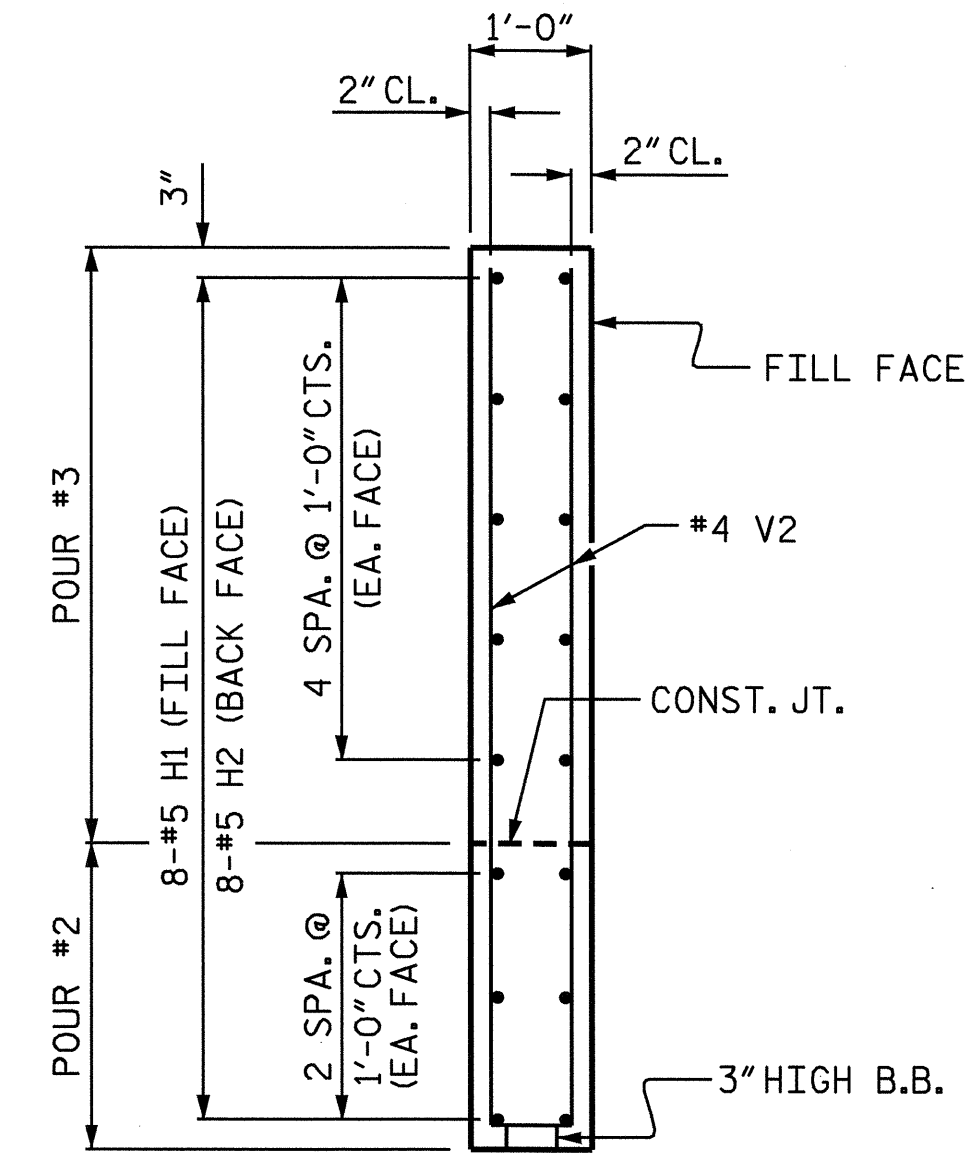


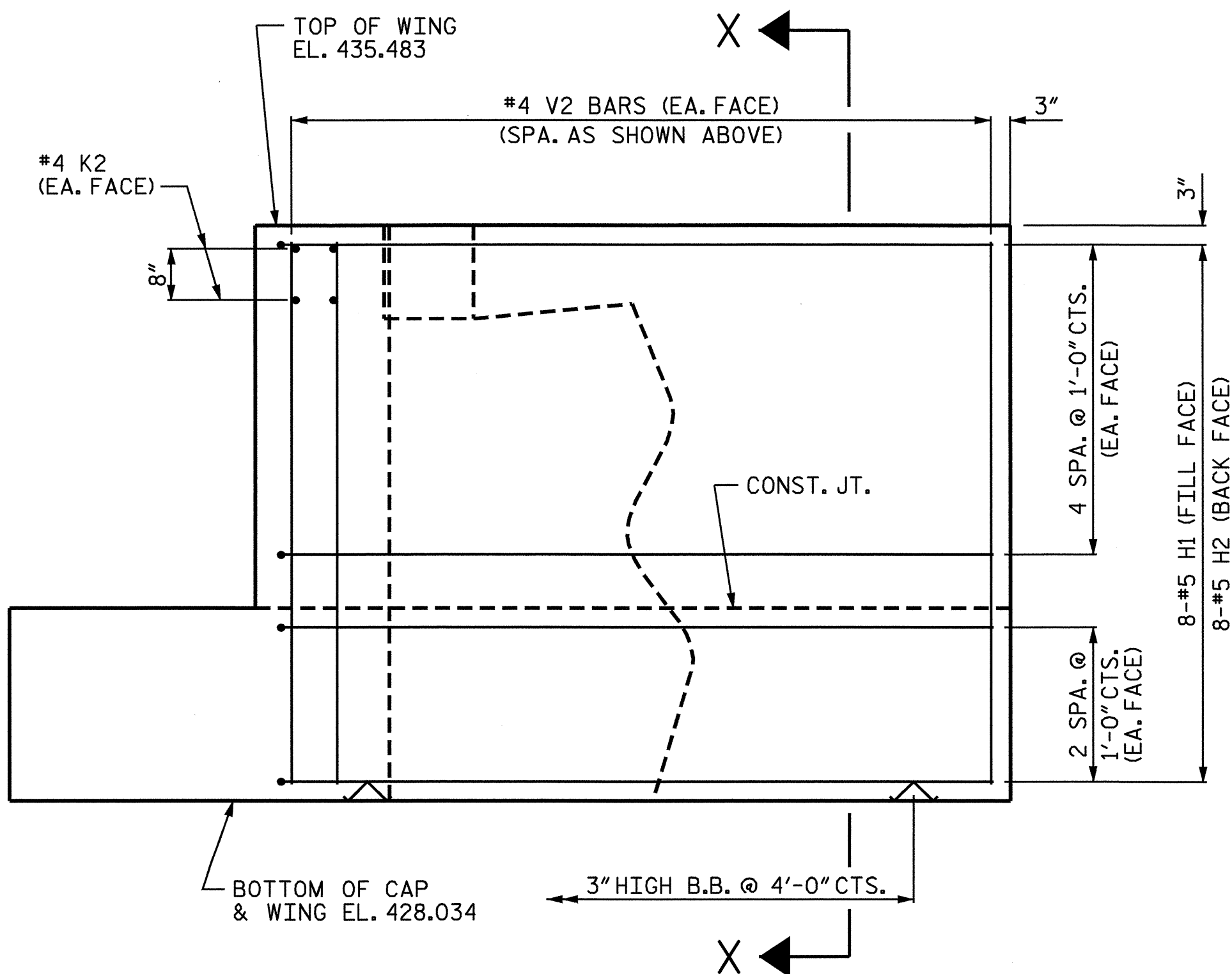
PLAN OF WING (W1)



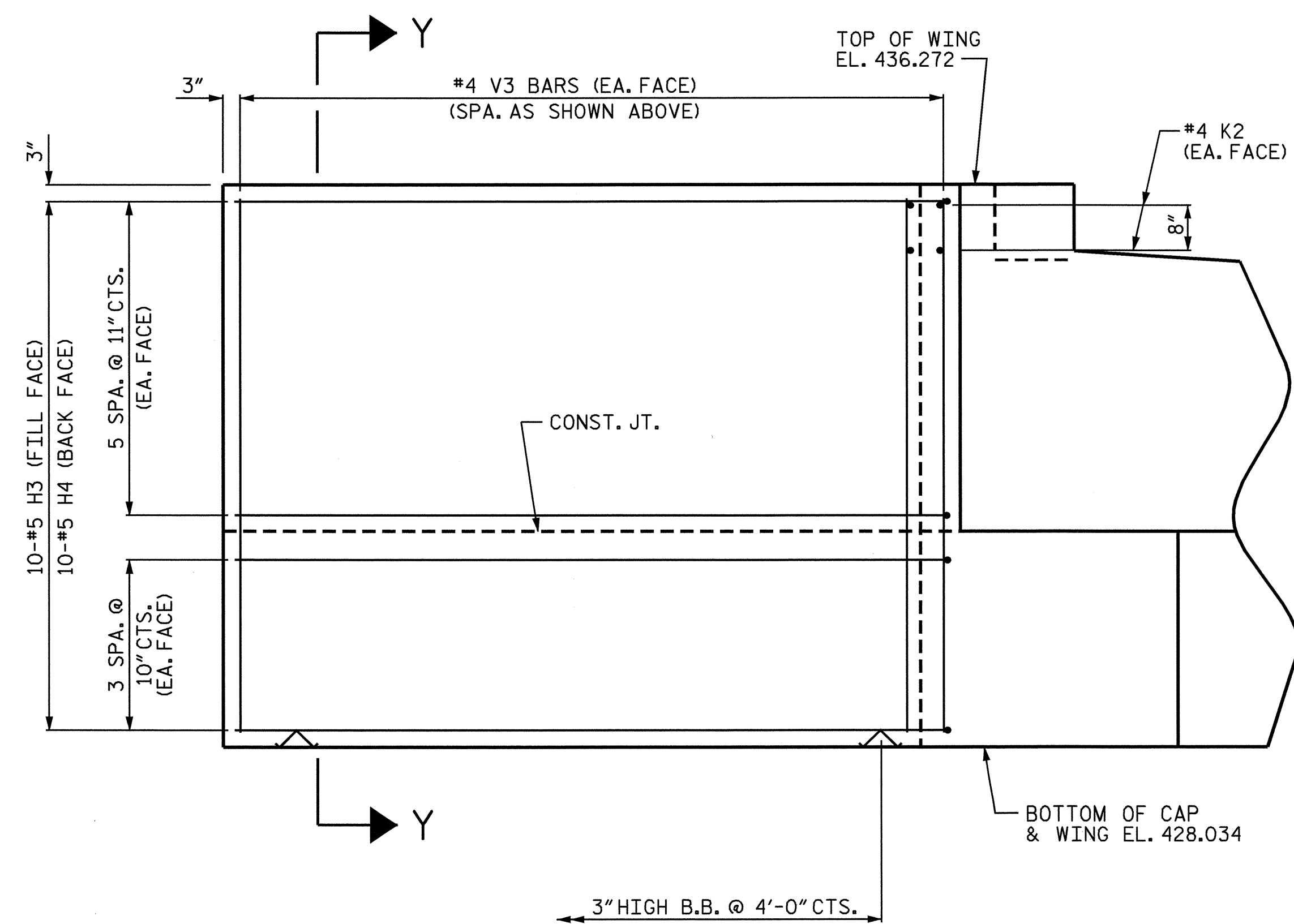
PLAN OF WING (W2)



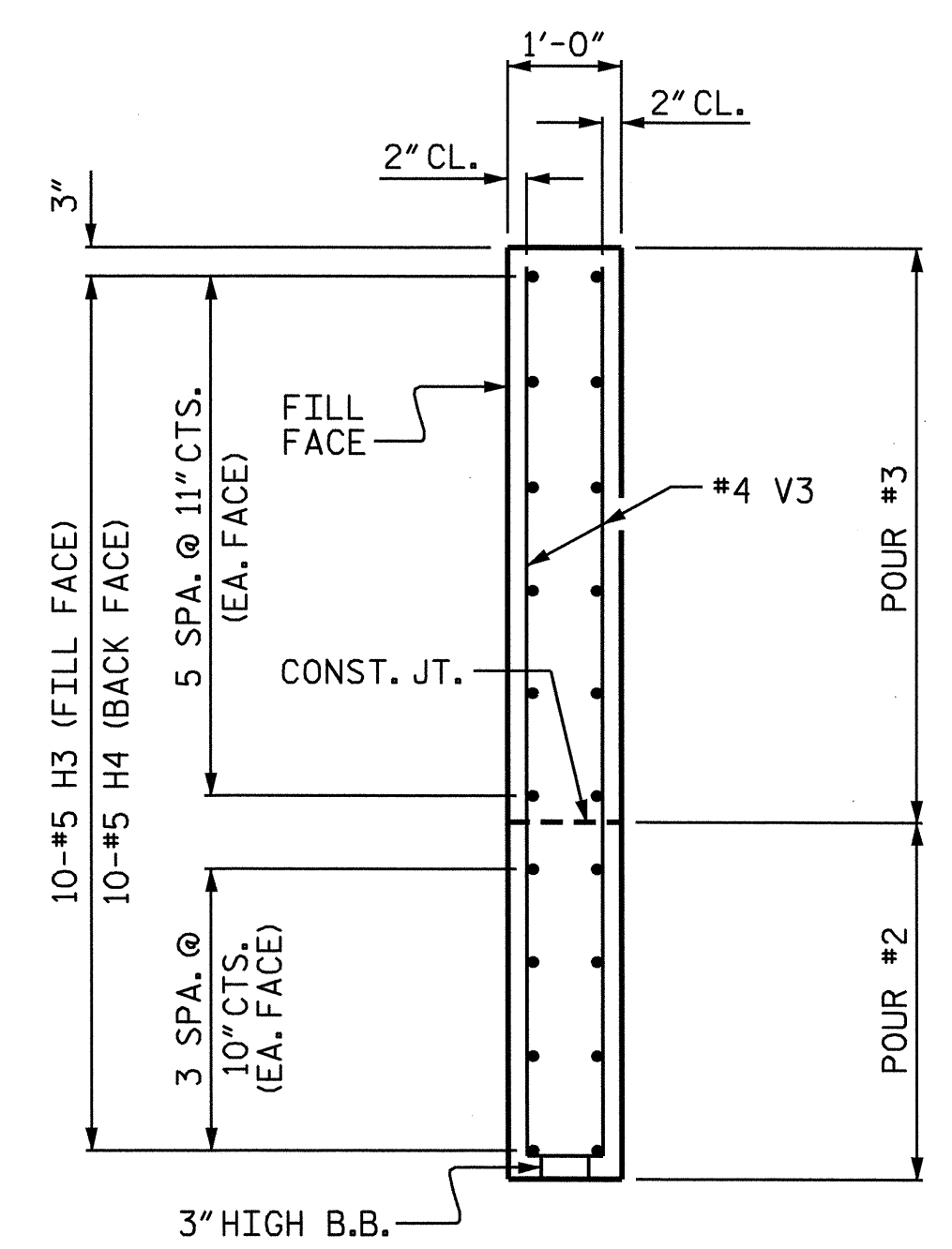
SECTION X-X



ELEVATION OF WING (W1)



ELEVATION OF WING (W2)

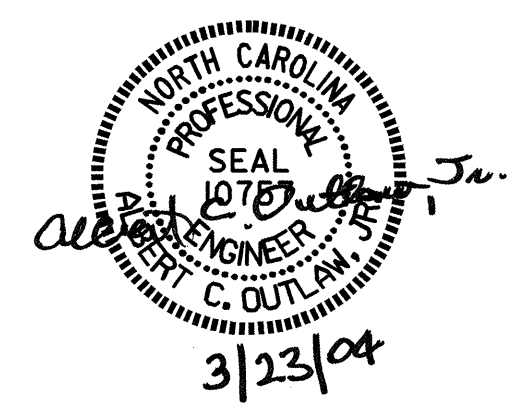


SECTION Y-Y

PROJECT NO. B-3885  
ORANGE COUNTY  
 STATION: 17+75.00 -L-

SHEET 2 OF 4

STATE OF NORTH CAROLINA  
 DEPARTMENT OF TRANSPORTATION  
 RALEIGH  
 SUBSTRUCTURE  
 END BENT No. 1



DRAWN BY : P.C. BREWER DATE : 1/20/04  
 CHECKED BY : S.B. WILLIAMS DATE : 1/29/04

22-MAR-2004 14:42  
 W:\sq\dw\B3885\pbrewer\l\crosstation\B3885.ed.EB1.01.dgn  
 outflow

REVISIONS				SHEET NO.	
NO.	BY:	DATE:	NO.	BY:	DATE:
1			3		
2			4		
					TOTAL SHEETS
					33