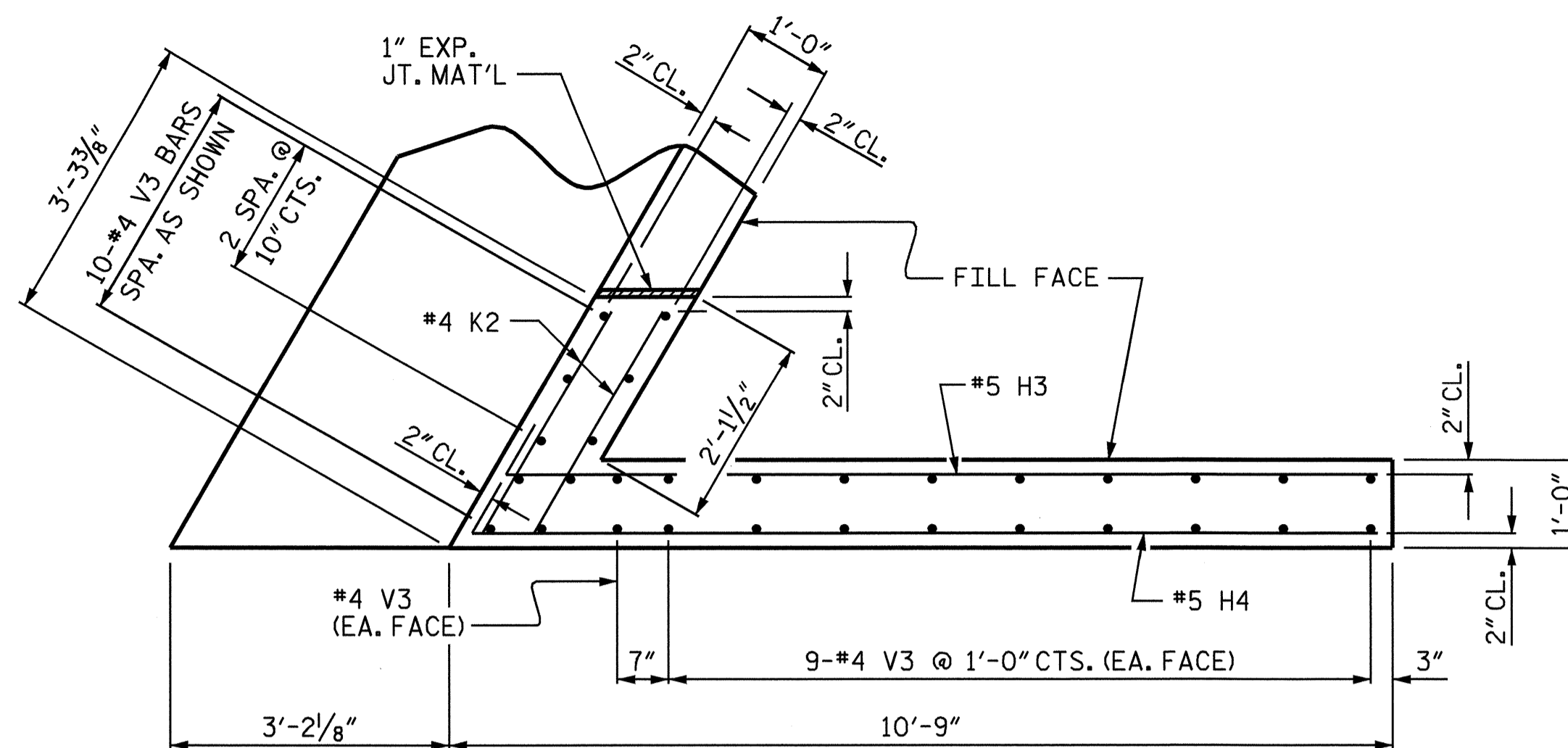
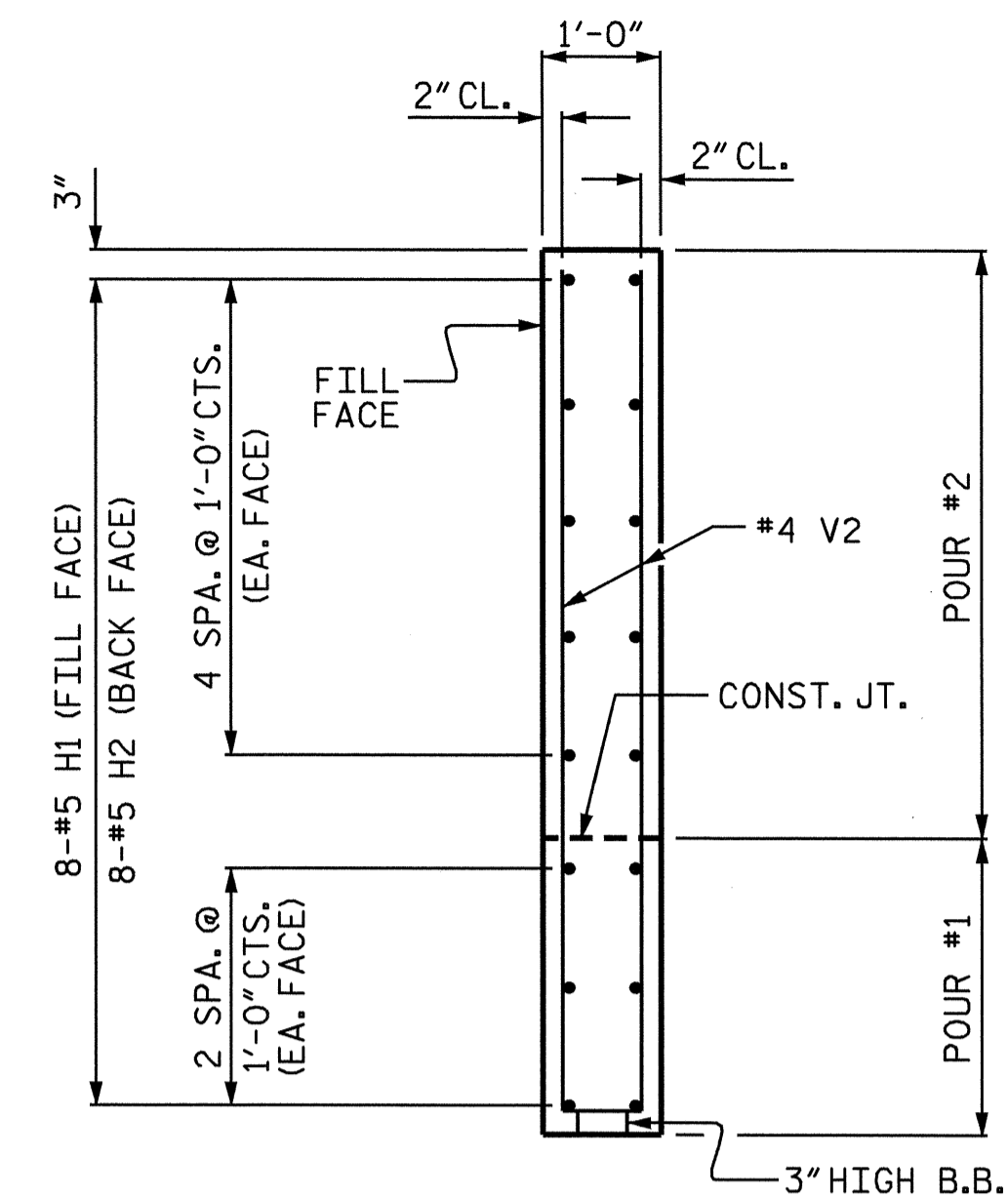


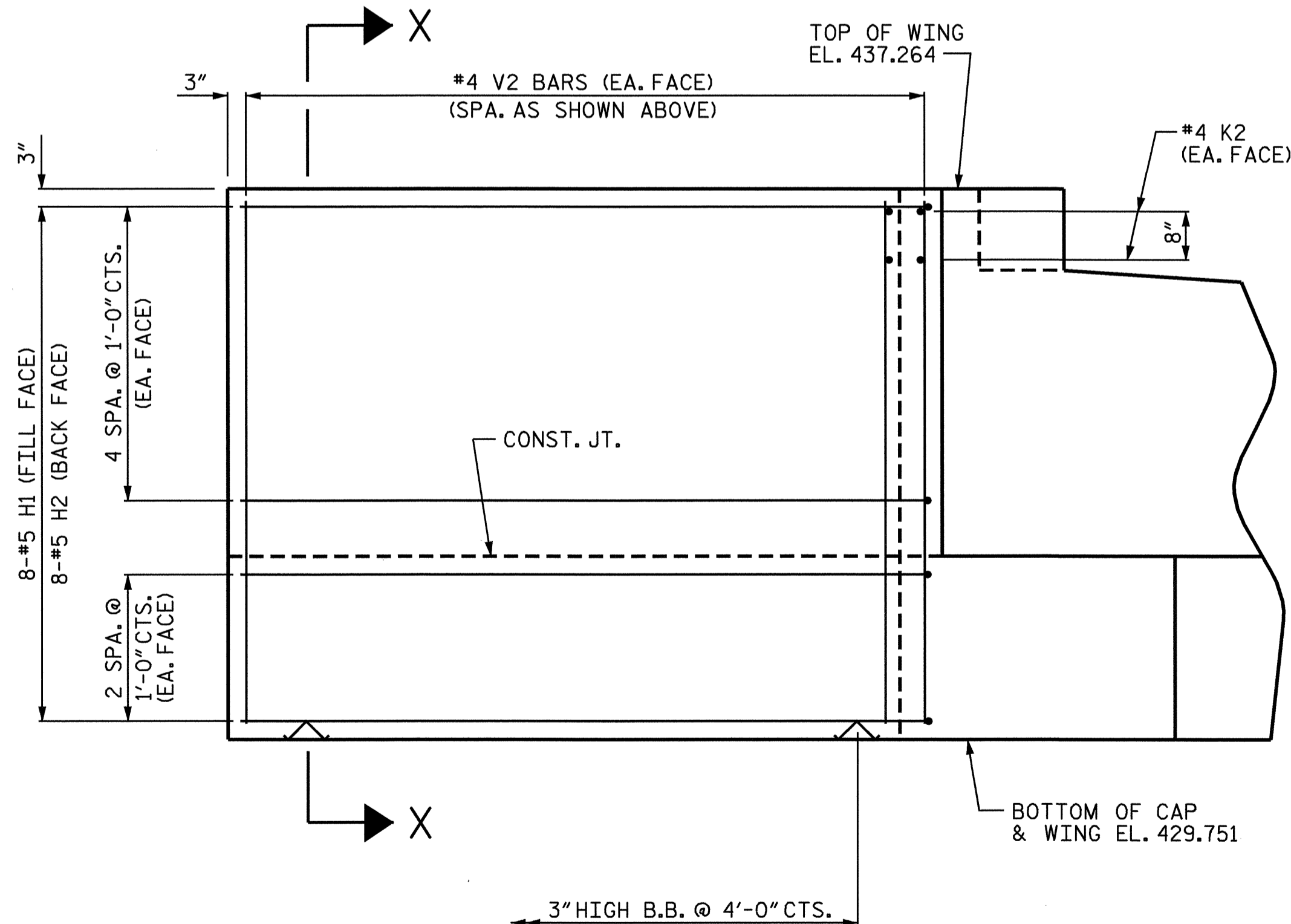
PLAN OF WING (W1)



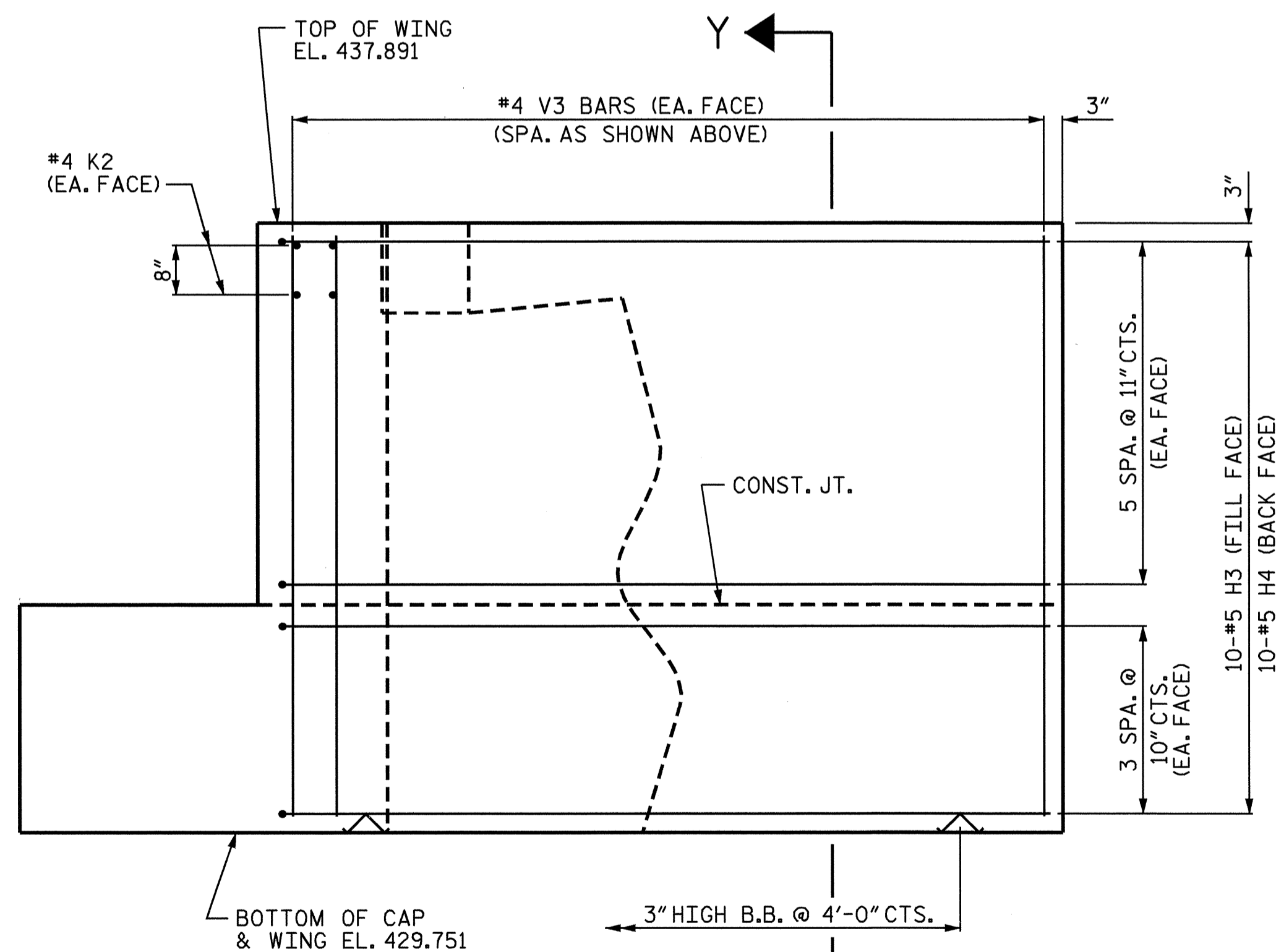
PLAN OF WING (W2)



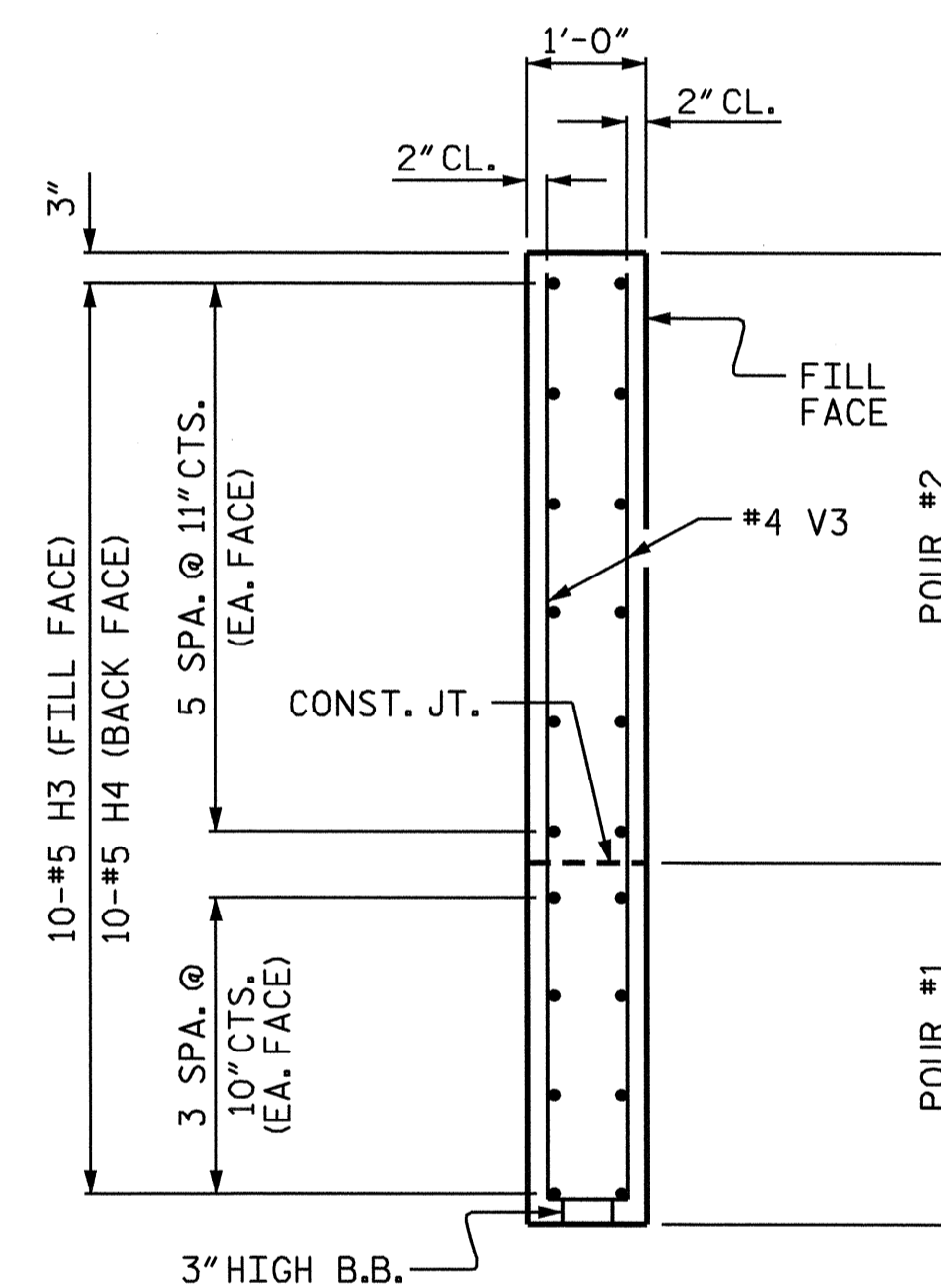
SECTION X-X



ELEVATION OF WING (W1)



ELEVATION OF WING (W2)



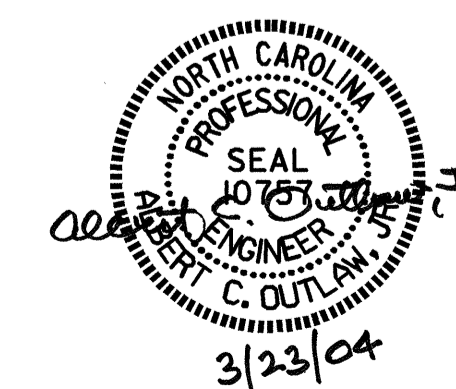
SECTION Y-Y

PROJECT NO. B-3885
ORANGE COUNTY
 STATION: 17+75.00 -L-

SHEET 2 OF 3

STATE OF NORTH CAROLINA
 DEPARTMENT OF TRANSPORTATION
 RALEIGH

SUBSTRUCTURE
 END BENT No. 2



DRAWN BY : P.C. BREWER DATE : 1/21/04
 CHECKED BY : S.B. WILLIAMS DATE : 1/29/04

22-MAR-2004 14:38
 W:\sqad\vb3885\pbrewer\l\microstation\B3885.sd_EB2.01.dgn
 outflow

REVISIONS					SHEET NO.
NO.	BY:	DATE:	NO.	BY:	DATE:
1			3		
2			4		

TOTALS
33