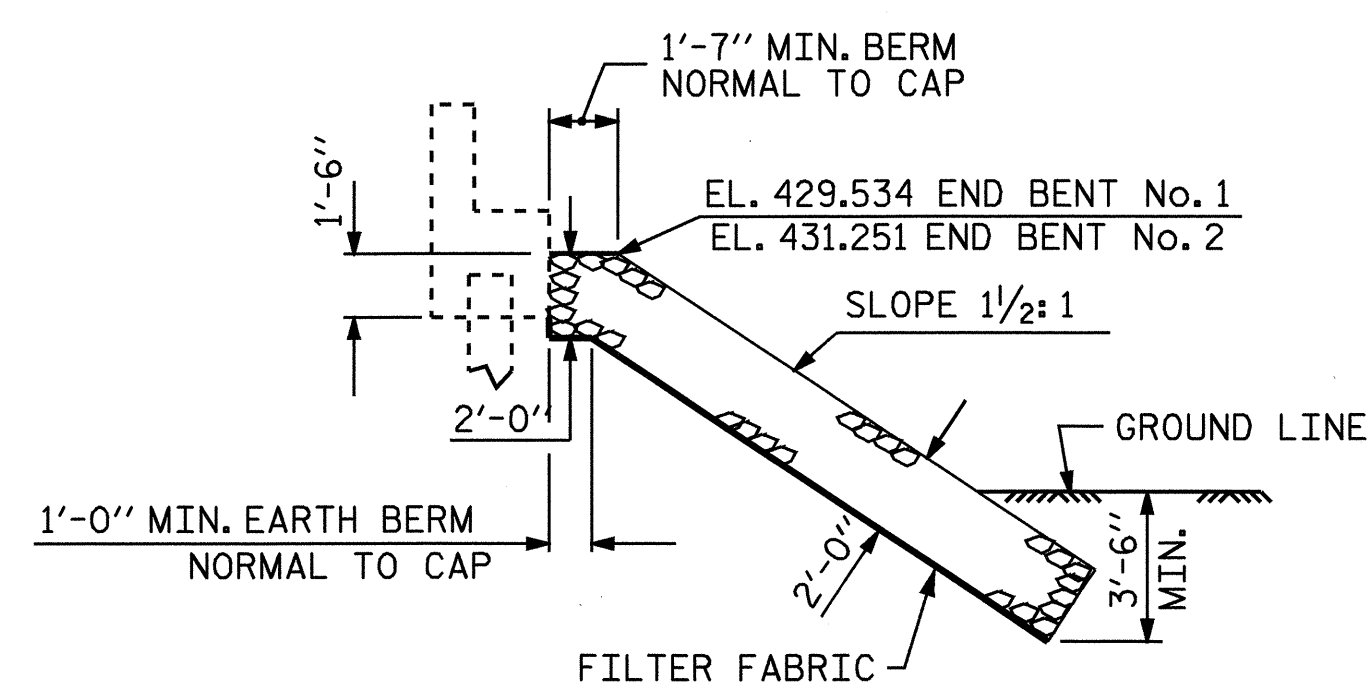
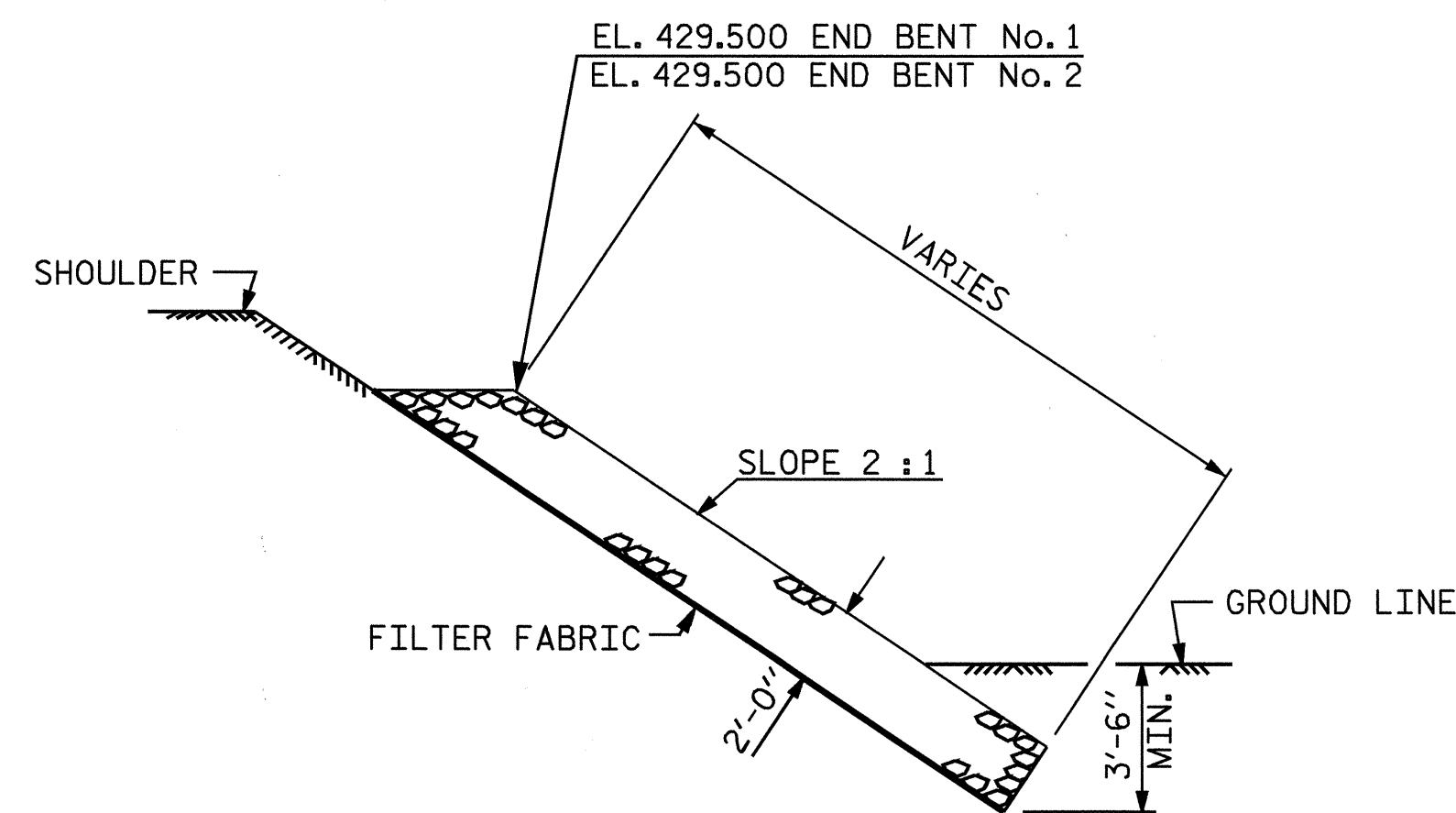


ESTIMATED QUANTITIES		
BRIDGE @ STA. 17+75.00 -L-	PLAIN RIP RAP CLASS II	FILTER FABRIC FOR DRAINAGE
	TONS	SQUARE YARDS
END BENT No. 1	215	239
END BENT No. 2	270	300



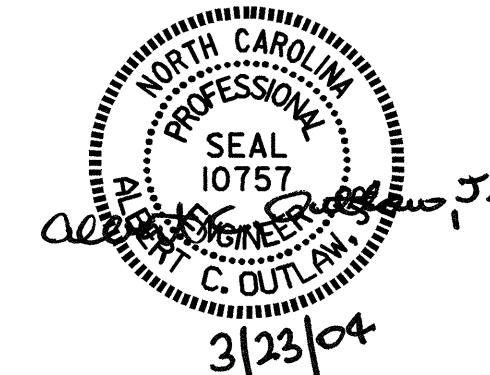
SECTION
BERM RIP RAPPED



SECTION C-C

PROJECT NO. B-3885
ORANGE COUNTY
 STATION: 17+75.00 -L-

STATE OF NORTH CAROLINA DEPARTMENT OF TRANSPORTATION RALEIGH					
STANDARD RIP RAP DETAILS					
REVISIONS					SHEET NO.
NO.	BY:	DATE:	NO.	BY:	DATE:
1			3		
2			4		
					TOTAL SHEETS 33



DRAWN BY : D. L. PLATICA DATE : 7/22/03
 CHECKED BY : C. H. SIMPSON DATE : 1/12/04