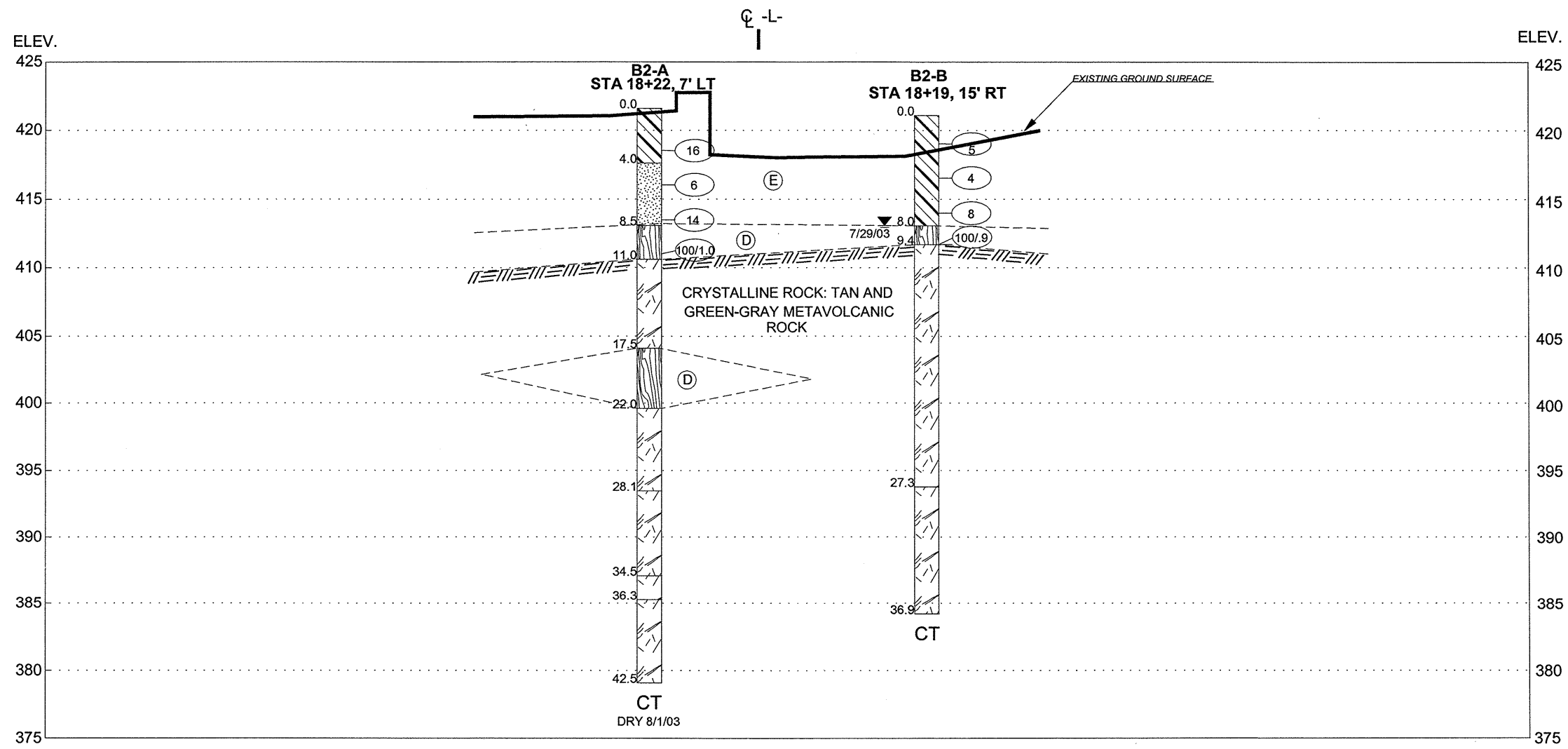
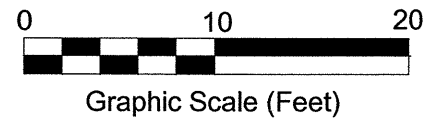


# CROSS SECTION THROUGH BENT 2



- (D) WEATHERED ROCK: TAN AND GREEN METAVOLCANIC ROCK
- (E) ALLUVIAL: MEDIUM STIFF TO VERY STIFF, TAN AND BROWN TO BROWN AND RED, COARSE TO FINE SANDY SILTY CLAY (A-6) WITH GRAVEL AND A TRACE OF ORGANICS AND MEDIUM STIFF TO STIFF, BROWN AND RED, COARSE TO FINE SANDY, CLAYEY SILT (A-4) WITH GRAVEL AND A LITTLE ORGANICS



NOTE: REFER TO BORING/CORING LOGS FOR MORE DETAILED DESCRIPTIONS



CROSS SECTION THROUGH BENT 2	
BRIDGE 174 OVER CANE CREEK ON SR 1958	
ORANGE COUNTY	
Project No.: 8.2502001	Tip No.: B-3885
Federal No.: BRZ-1958 (1)	Vert. Scale: 1" = 10 FEET
Date: AUGUST 2003	Horiz. Scale: 1" = 10 FEET
Drawn By: JCW	Drawing No.: 5