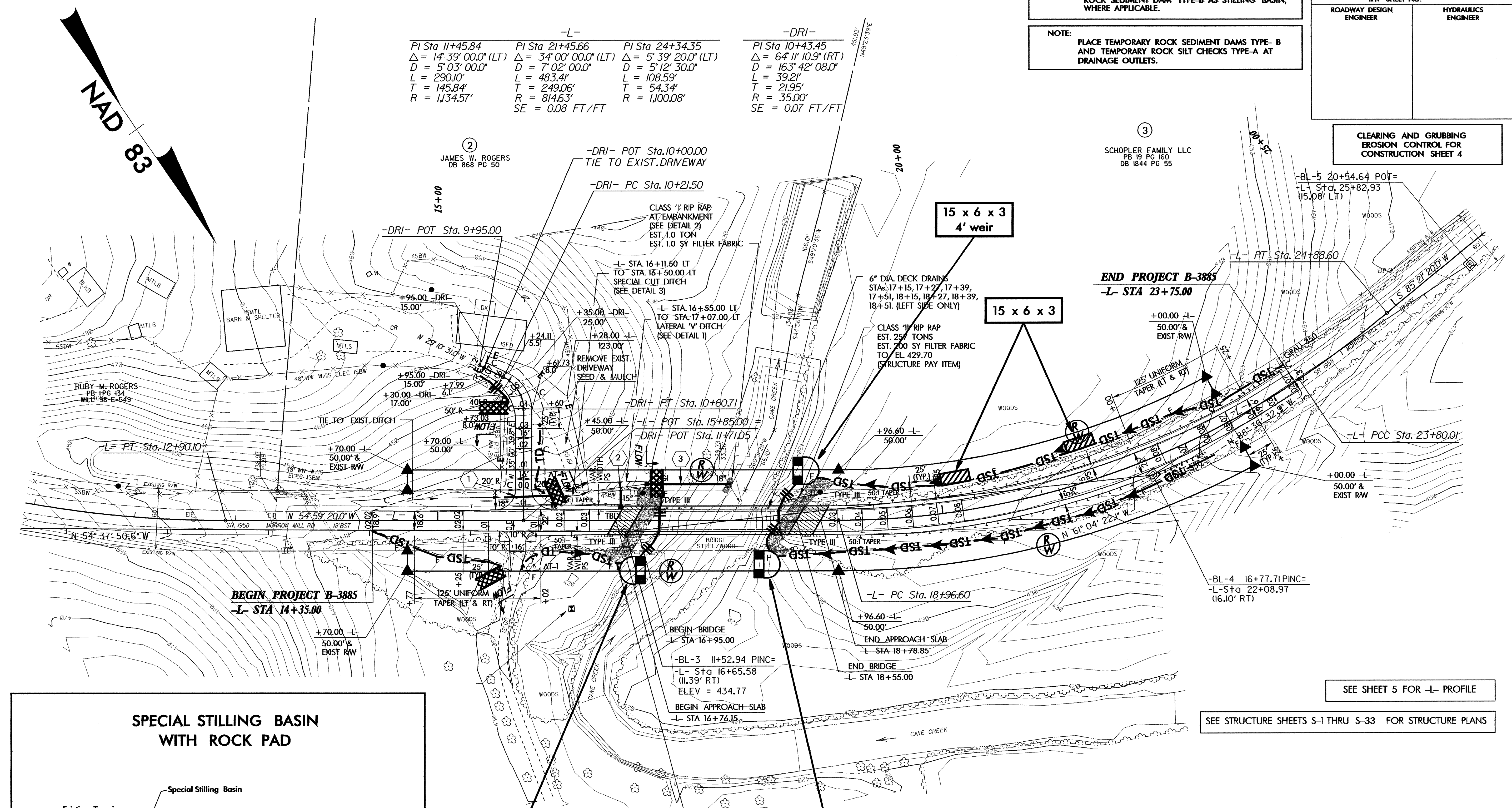


PROJECT REFERENCE NO.	SHEET NO.
B-3885	EC-3/CONST.4
RW SHEET NO.	
ROADWAY DESIGN ENGINEER	HYDRAULICS ENGINEER

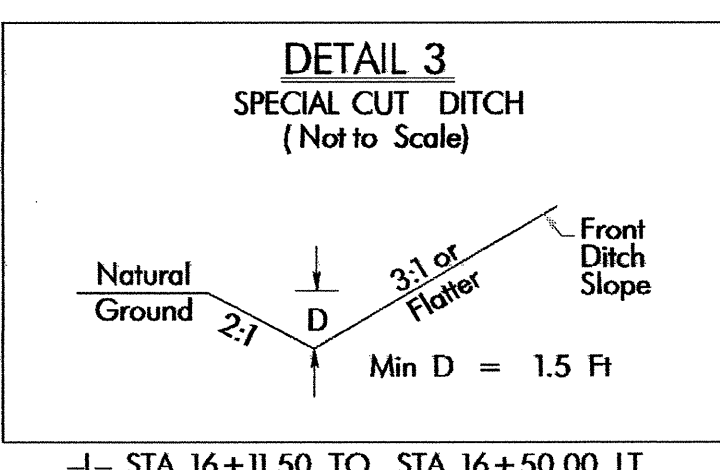
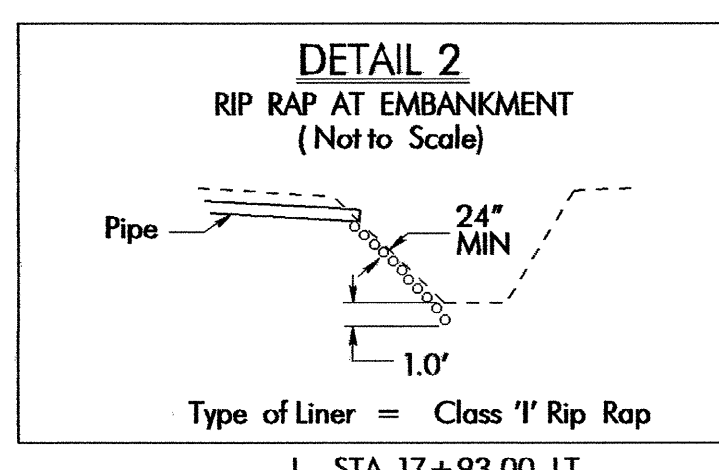
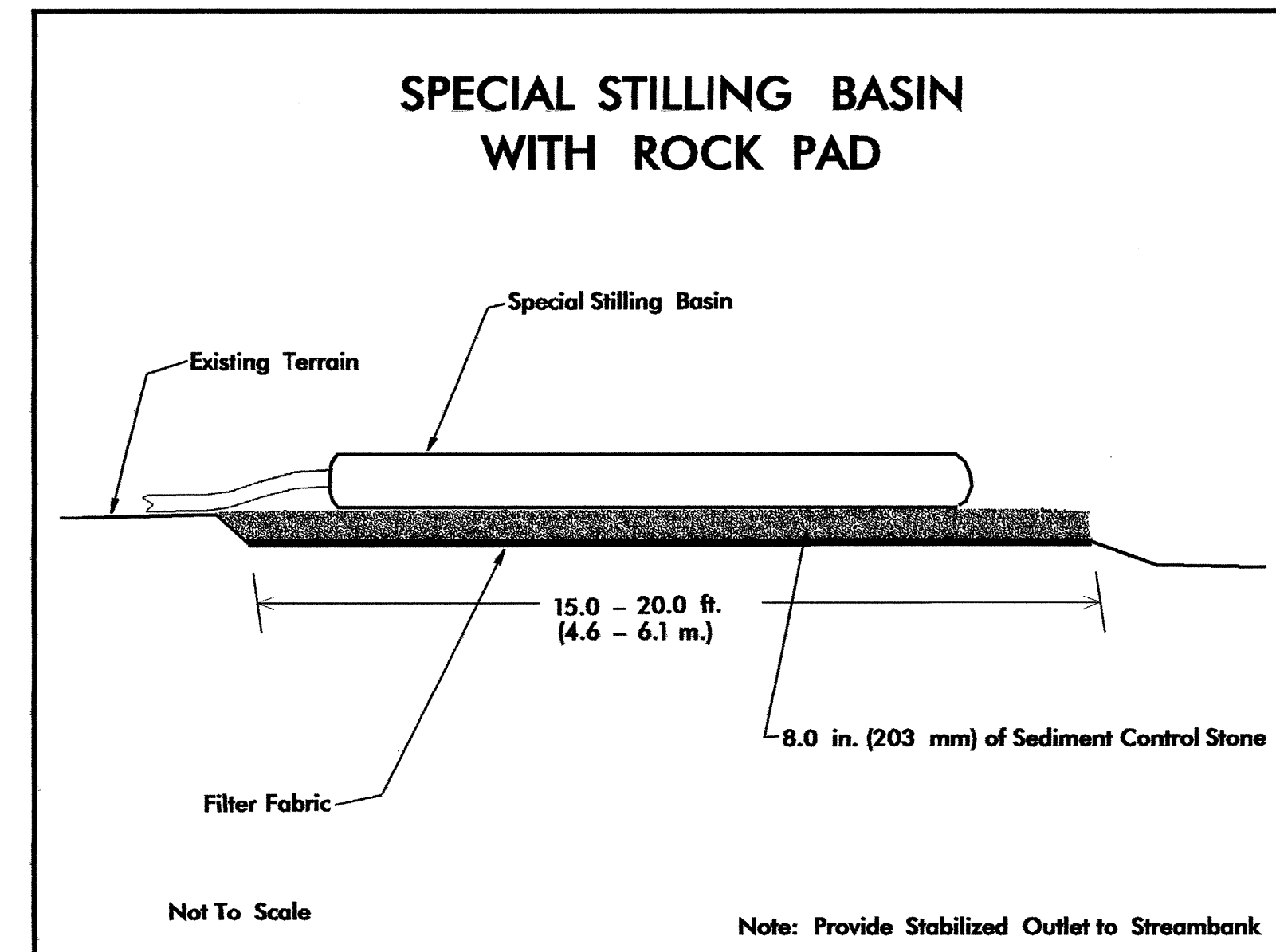
NOTE: UTILIZE SPECIAL STILLING BASIN, AND TEMPORARY ROCK SEDIMENT DAM TYPE-B AS STILLING BASIN, WHERE APPLICABLE.

NOTE: PLACE TEMPORARY ROCK SEDIMENT DAMS TYPE-B AND TEMPORARY ROCK SILT CHECKS TYPE-A AT DRAINAGE OUTLETS.

CLEARING AND GRUBBING EROSION CONTROL FOR CONSTRUCTION SHEET 4



-L-			-DRI-	
PI Sta 11+45.84	PI Sta 21+45.66	PI Sta 24+34.35	PI Sta 10+43.45	
$\Delta = 14^{\circ} 39' 00.0''$ (LT)	$\Delta = 34^{\circ} 00' 00.0''$ (LT)	$\Delta = 5^{\circ} 39' 20.0''$ (LT)	$\Delta = 64^{\circ} 11' 10.9''$ (RT)	
D = 5' 03' 00.0"	D = 7' 02' 00.0"	D = 5' 12' 30.0"	D = 163' 42' 08.0"	
L = 290.10'	L = 483.41'	L = 108.59'	L = 39.21'	
T = 145.84'	T = 249.06'	T = 54.34'	T = 21.95'	
R = 1134.57'	R = 814.63'	R = 1100.08'	R = 35.00'	
SE = 0.08 FT/FT			SE = 0.07 FT/FT	



SEE SHEET 5 FOR -L- PROFILE

SEE STRUCTURE SHEETS S-1 THRU S-33 FOR STRUCTURE PLANS