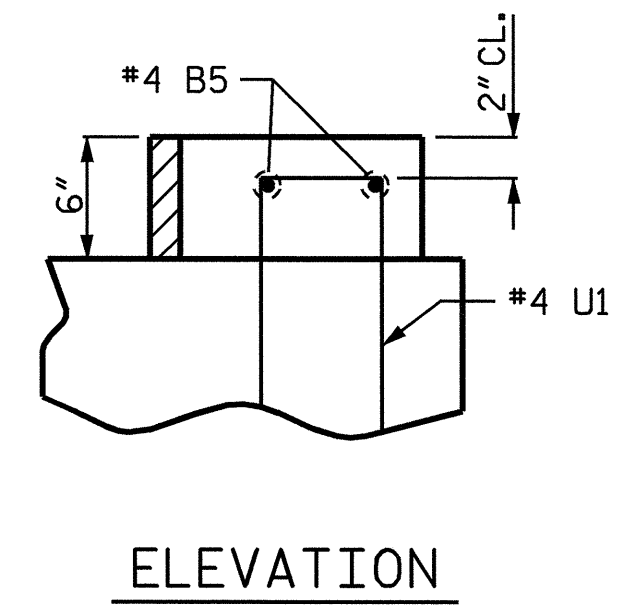
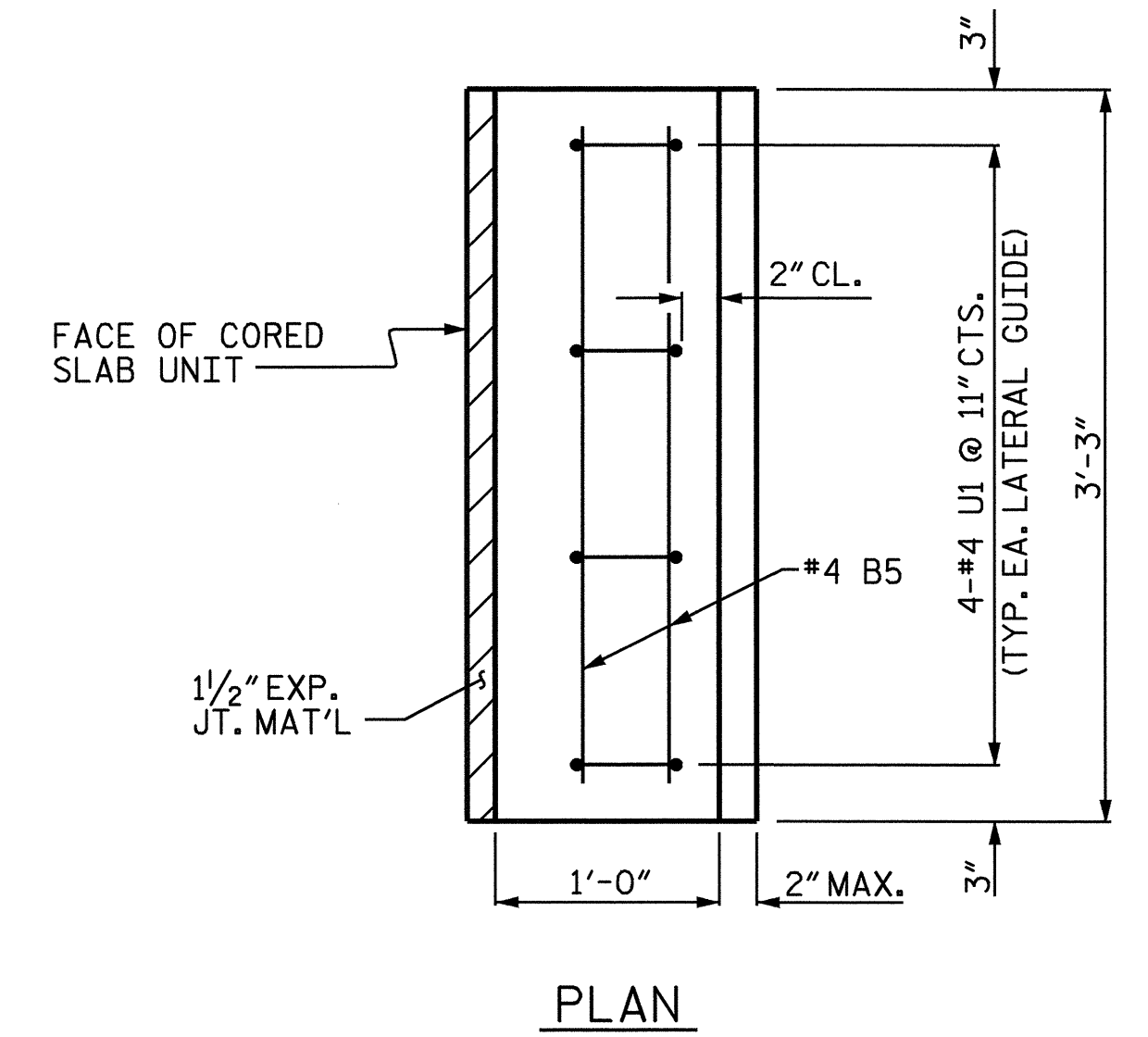
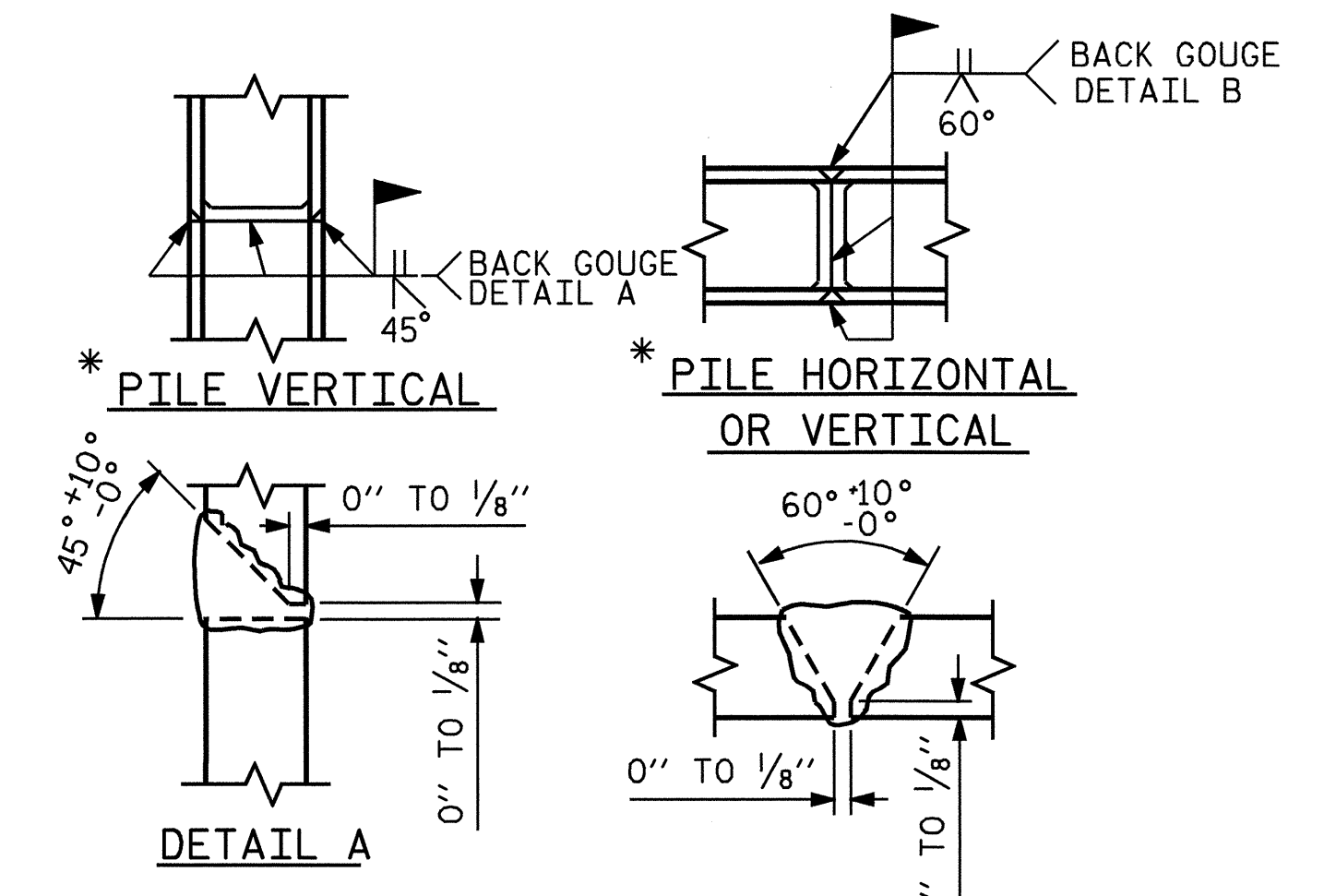


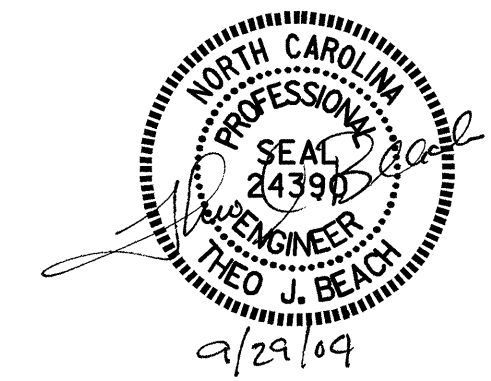
BILL OF MATERIAL BENT NO. 2					
BAR NO.	SIZE	TYPE	LENGTH	WEIGHT	
B1	5	9	1	40'-7"	690
B2	4	10	STR	38'-3"	658
B3	4	5	STR	38'-2"	159
B4	8	4	STR	20'-4"	109
B5	14	4	STR	2'-11"	27
D1	48	6	STR	1'-6"	108
S1	31	5	3	8'-1"	261
S2	12	4	4	7'-7"	61
U1	8	4	2	3'-2"	17
U2	6	4	2	4'-0"	16
U3	6	4	2	4'-9"	19
U4	2	9	2	10'-1"	69
REINFORCING STEEL				2194 LBS.	
CLASS A CONCRETE BREAKDOWN					
POUR #1 (CAP)				11.6 C.Y.	
POUR #2 (LATERAL GUIDES)				0.1 C.Y.	
TOTAL CLASS A CONCRETE				11.7 C.Y.	
HP 12 X 73 STEEL PILES					
NO. 6 LIN. FT. 240					
STEEL PILE POINTS					
6 EACH					



PLAN OF LATERAL GUIDE
 (RIGHT LATERAL GUIDE SHOWN, LEFT LATERAL GUIDE SIMILAR)



PILE SPLICE DETAILS



PROJECT NO. B-3470
HAYWOOD COUNTY
 STATION: 15+18.00 -L-
 SHEET 2 OF 2

STATE OF NORTH CAROLINA
 DEPARTMENT OF TRANSPORTATION
 RALEIGH
 SUBSTRUCTURE
 BENT NO. 2

REVISIONS						SHEET NO.	
NO.	BY:	DATE:	NO.	BY:	DATE:	S-14	
1			3			TOTAL SHEETS	22
2			4				