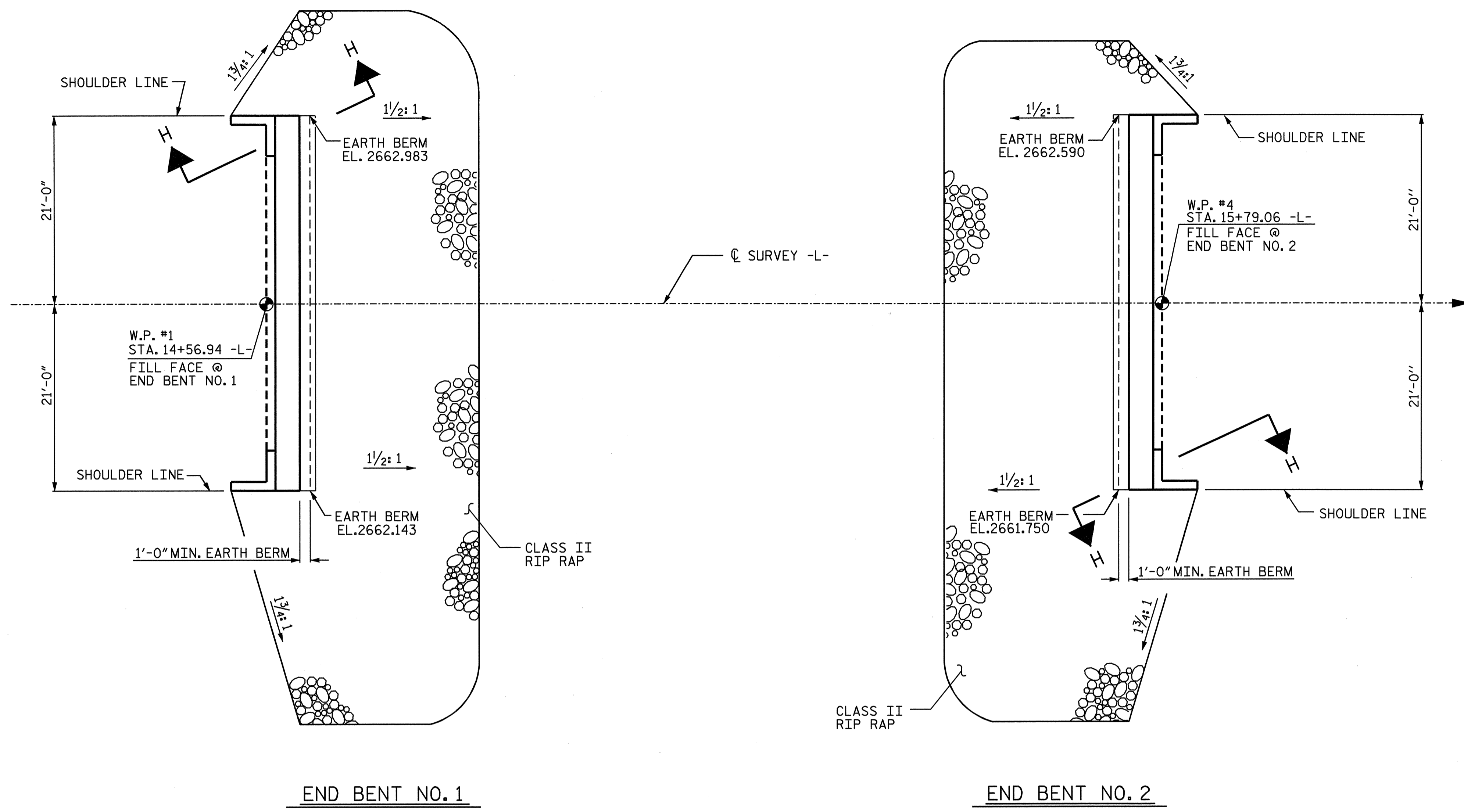


**NOTES:**  
THE COST OF THE FILTER FABRIC SHALL BE INCLUDED IN THE CONTRACT PRICE BID FOR PLAIN RIP RAP CLASS II.

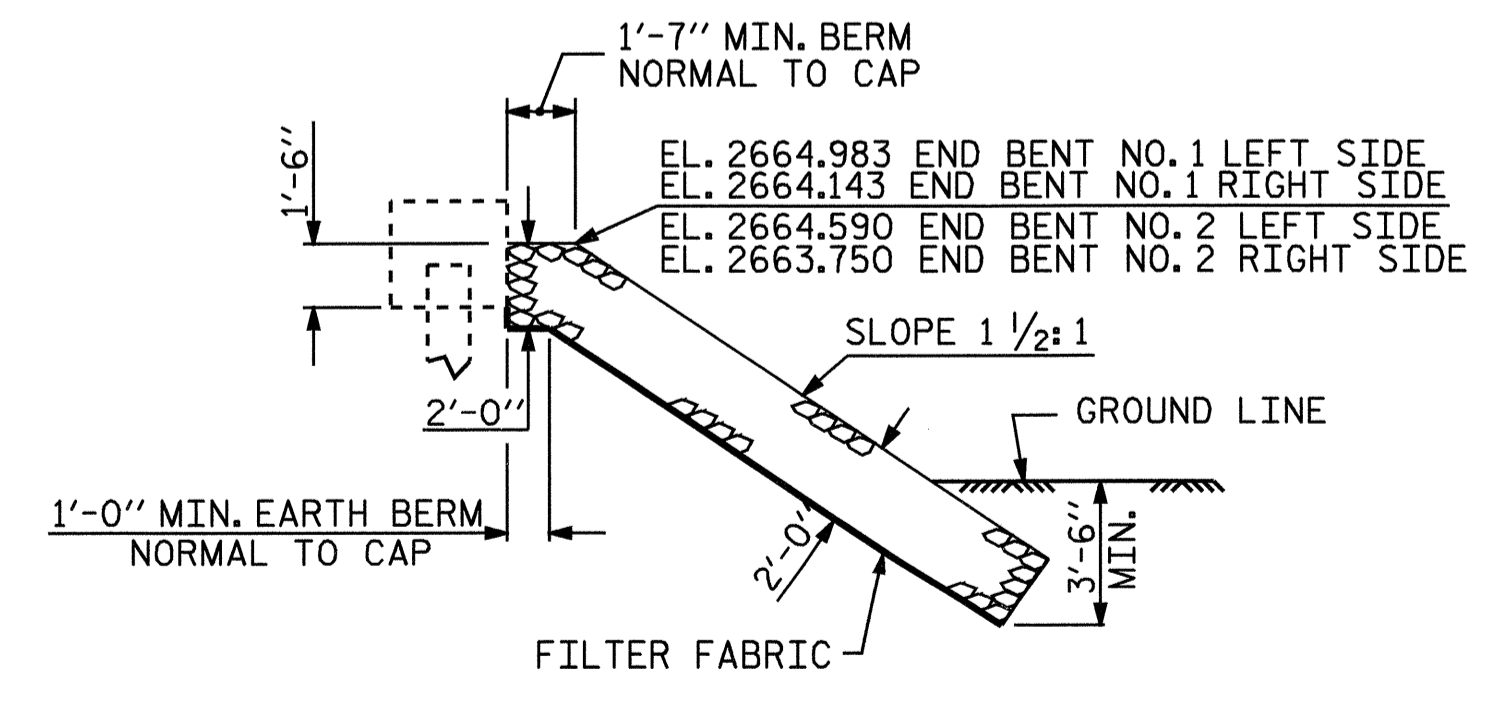


END BENT NO. 1

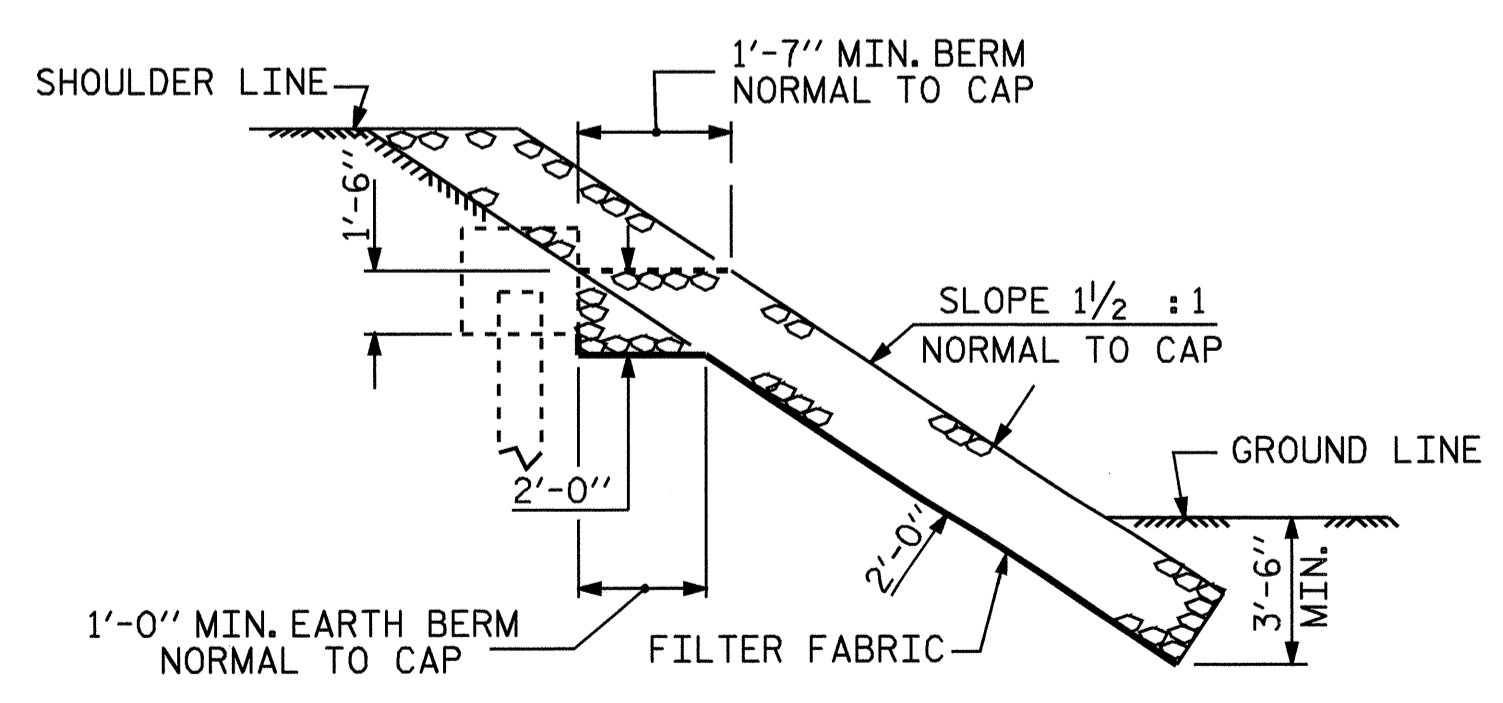
END BENT NO. 2

PLAN

ESTIMATED QUANTITIES		
BRIDGE @ STA. 15+18.00 -L-	PLAIN RIP RAP CLASS II	FILTER FABRIC FOR DRAINAGE
	TONS	SQUARE YARDS
END BENT 1	175	194
END BENT 2	180	200



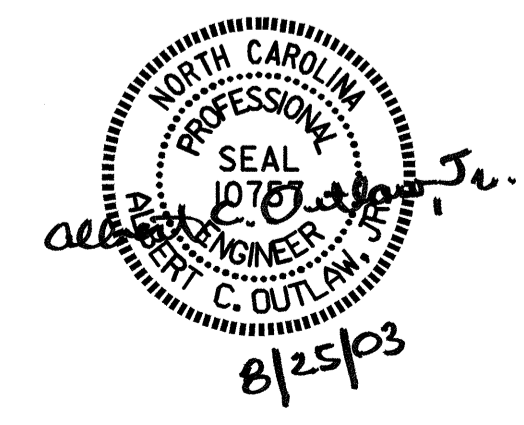
SECTION H-H  
BAND RIPP RAPPED



SECTION H-H  
PLAIN RIPP RAPPED

PROJECT NO. B-3470  
HAYWOOD COUNTY  
STATION: 15+18.00 -L-

STATE OF NORTH CAROLINA  
DEPARTMENT OF TRANSPORTATION  
RALEIGH  
STANDARD  
= RIP RAP DETAILS =



DRAWN BY: DAN PLATICA DATE: 01/21/03  
CHECKED BY: S.B. WILLIAMS DATE: 07/29/03

REVISIONS						SHEET NO. S-19 TOTAL SHEETS 22
NO.	BY:	DATE:	NO.	BY:	DATE:	
1			3			
2			4			