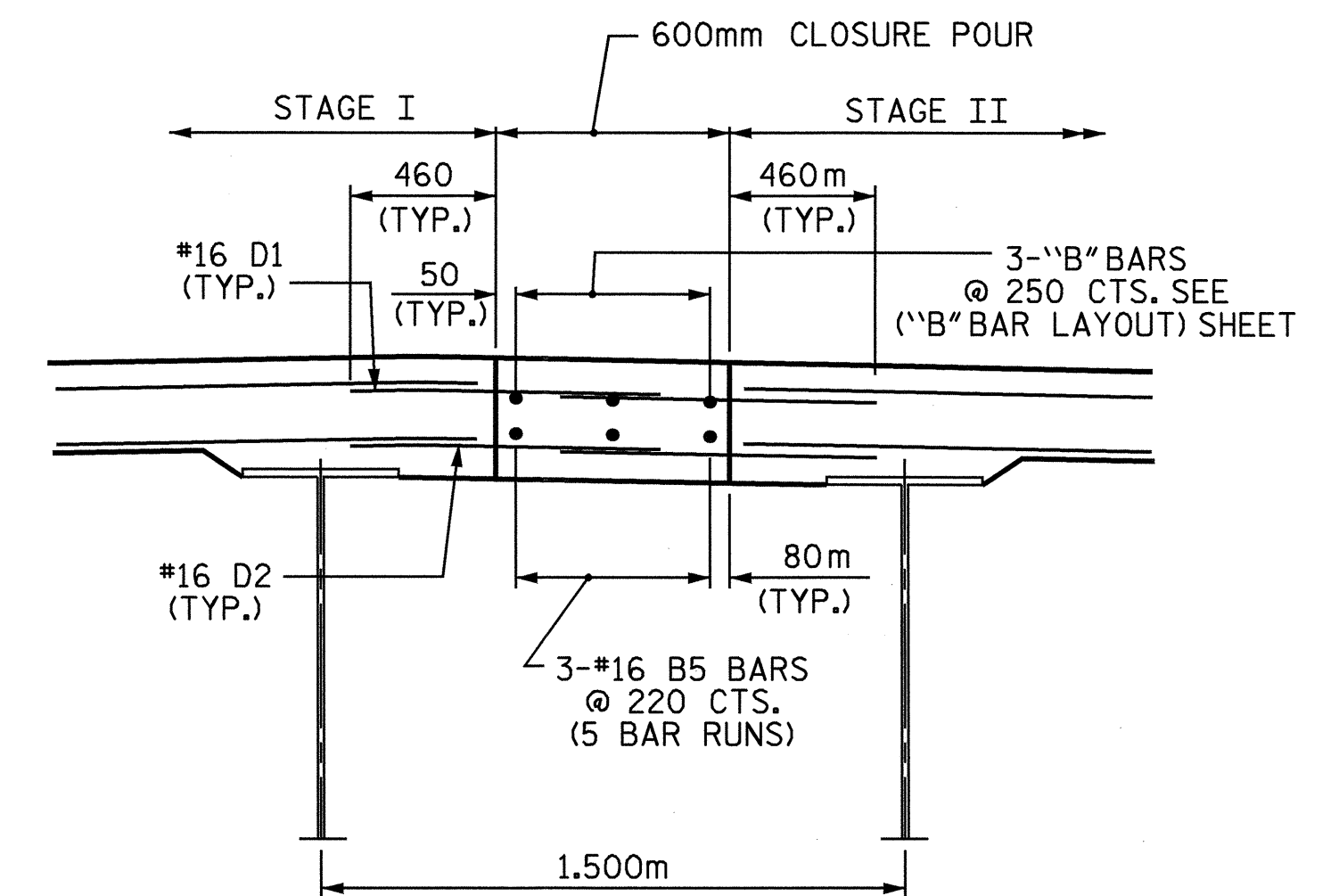
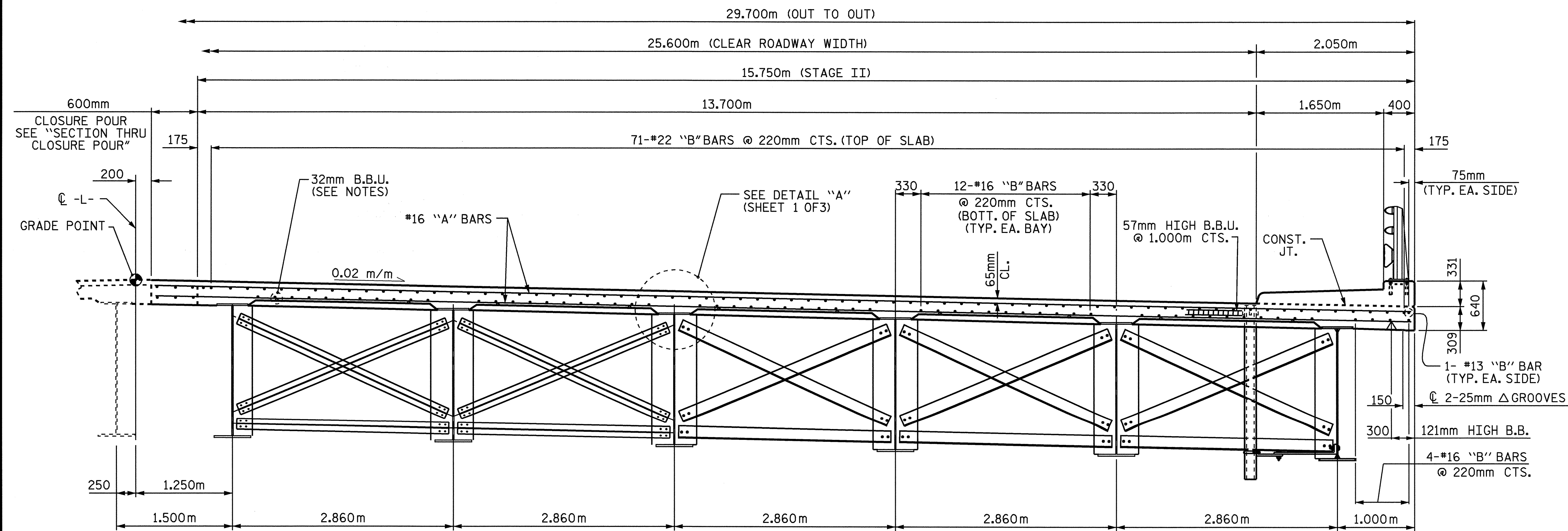


TYPICAL SECTION AT END BENT DIAPHRAGM



SECTION THRU CLOSURE POUR

NOTE : #16 D1 & D2 SHALL EXTEND 460mm IN TO CLOSURE POUR.



TYPICAL SECTION AT BENT DIAPHRAGM

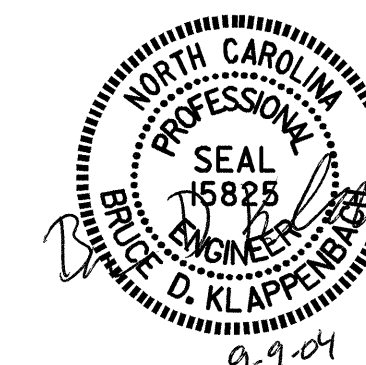
INTERMEDIATE DIAPHRAGMS

PROJECT NO. U-2717
GUILFORD COUNTY
 STATION: 40+56.584 -L-

SHEET 2 OF 3

STATE OF NORTH CAROLINA
 DEPARTMENT OF TRANSPORTATION
 RALEIGH

**SUPERSTRUCTURE
 TYPICAL SECTION
 (STAGE II)**



DRAWN BY : M. G. SHAIKH DATE : 5-24-04
 CHECKED BY : D. A. GLADDEN DATE : 08-04

08-SEP-2004 16:47
 W:\squad\U2717\mshalkh\Microsoft\U-2717_sd.TS.0L.dgn
 bklappenbach

REVISIONS						SHEET NO.
NO.	BY:	DATE:	NO.	BY:	DATE:	TOTAL SHEETS
1			3			47
2			4			

STR. #1