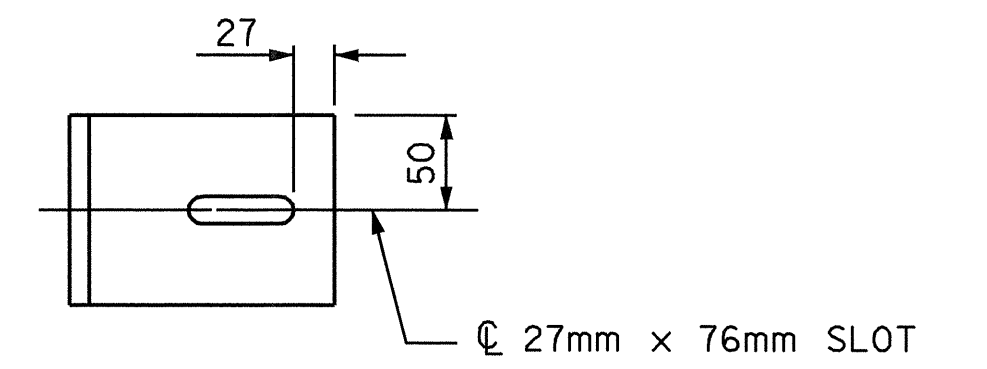
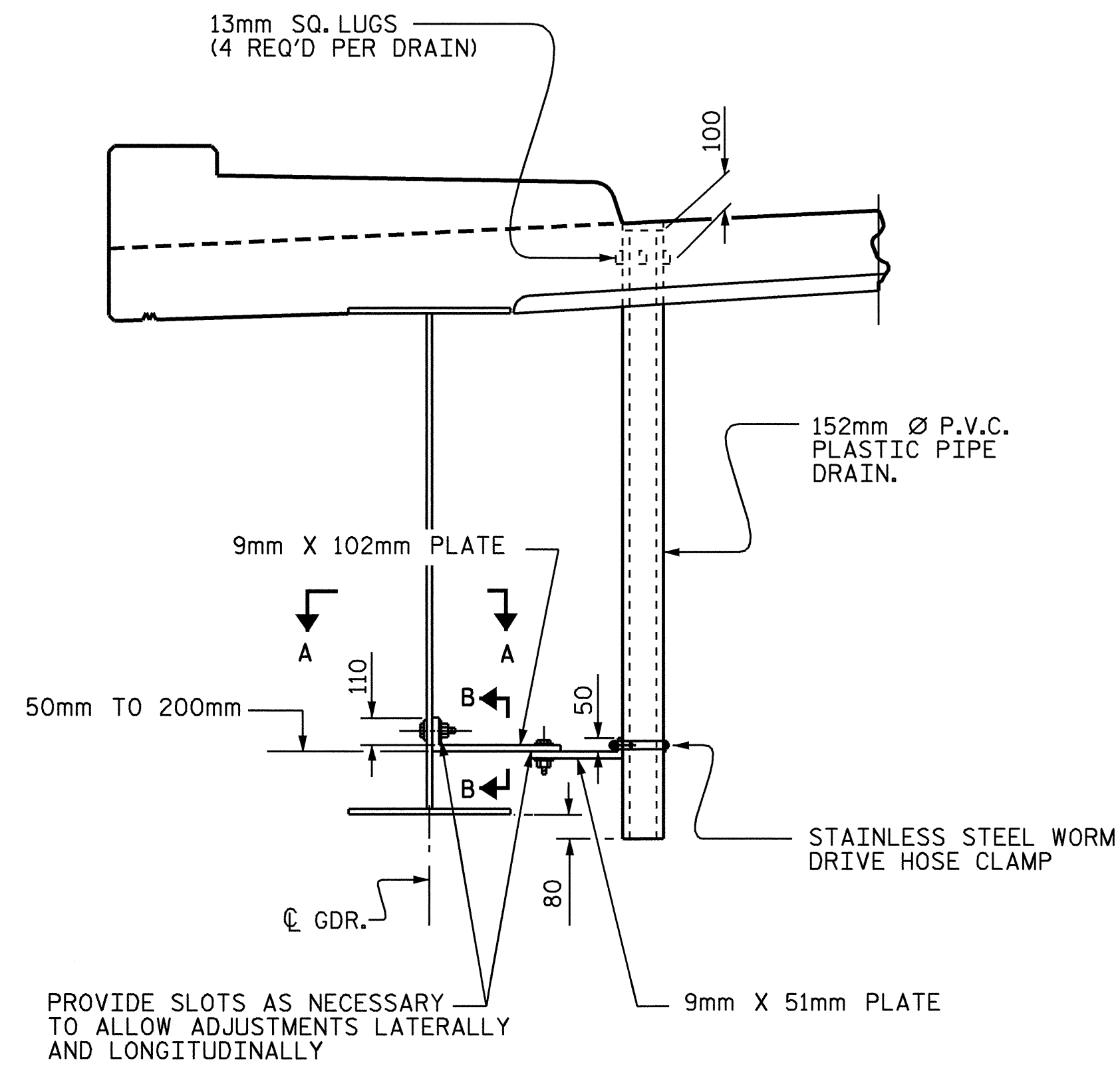
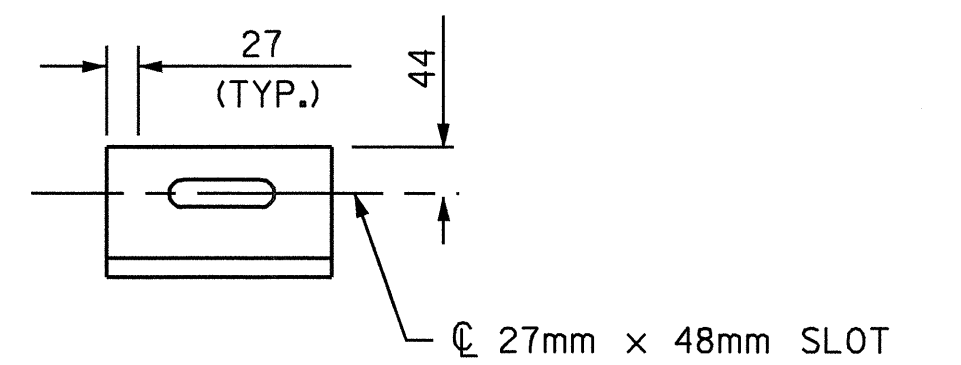


SECTION THRU SIDEWALK

**DOWELS MAY BE PUSHED INTO GREEN CONCRETE AFTER SPAN HAS BEEN SCREEDDED OFF.

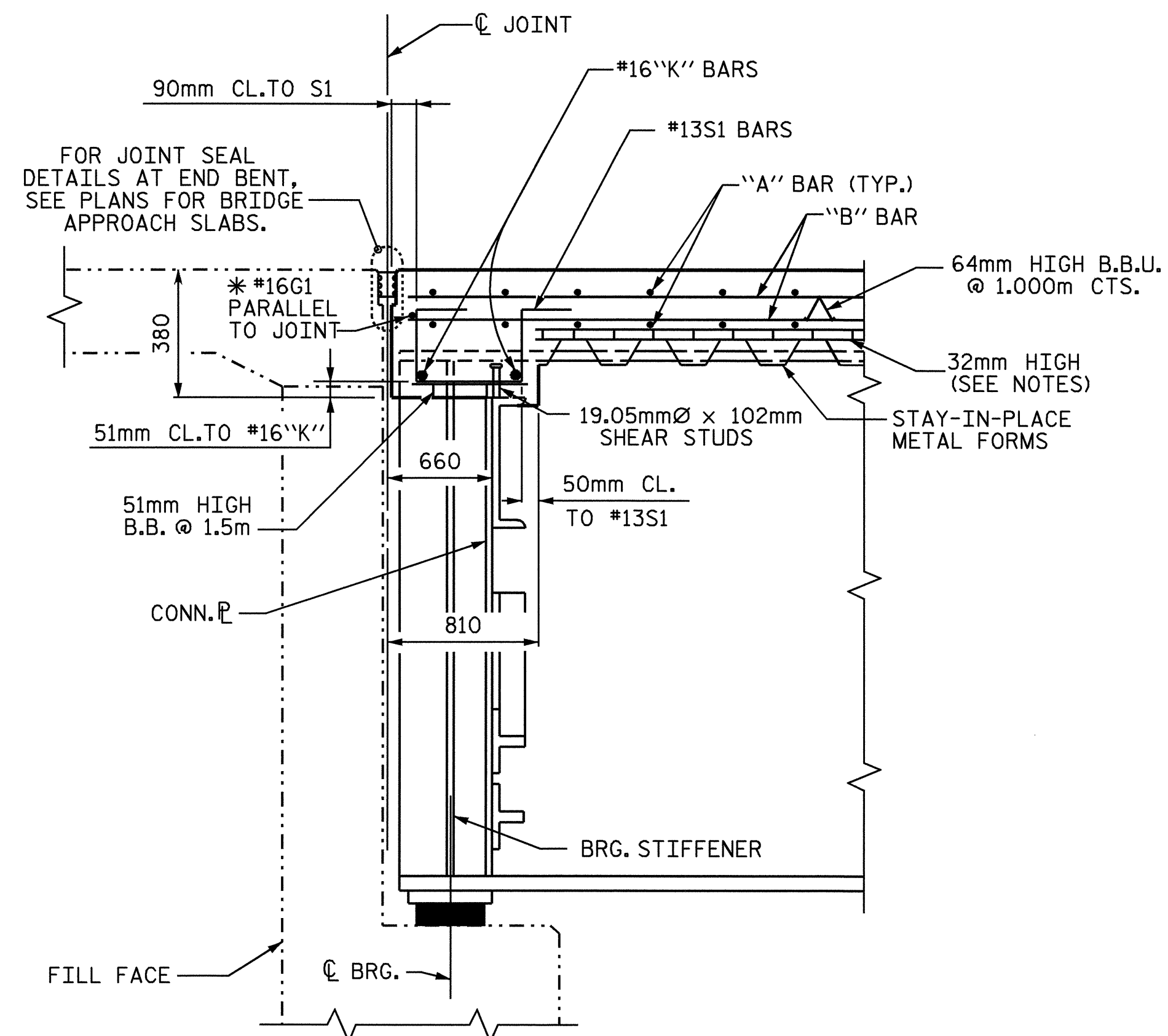


SECTION A-A



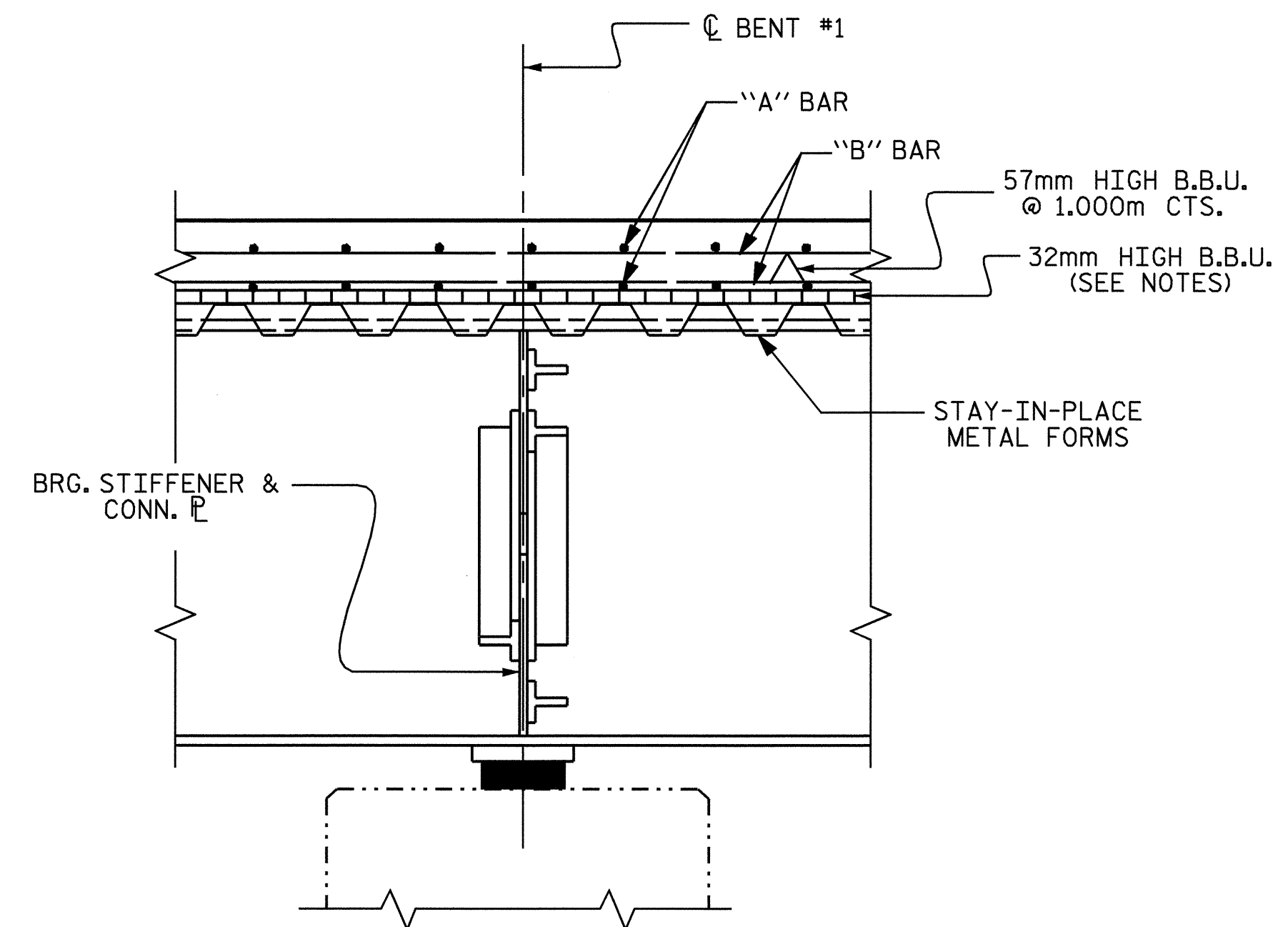
SECTION B-B

DRAIN CONNECTOR DETAILS



SECTION THRU END BENT

* #16 "G" BAR MAY BE SHIFTED SLIGHTLY, AS NECESSARY, TO CLEAR STIRRUPS AND REINFORCING STEEL.



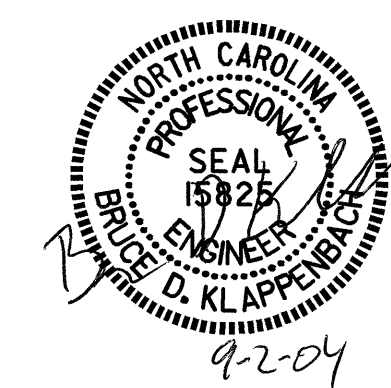
SECTION THRU BENT

PROJECT NO. U-2717
GUILFORD COUNTY
 STATION: 40+56.584 -L-

SHEET 3 OF 3

STATE OF NORTH CAROLINA
 DEPARTMENT OF TRANSPORTATION
 RALEIGH

**SUPERSTRUCTURE
 TYPICAL SECTION
 DETAILS**



REVISIONS						SHEET NO.
NO.	BY:	DATE:	NO.	BY:	DATE:	5-7
1			3			TOTAL SHEETS
2			4			47

DRAWN BY : M. G. SHAIKH DATE : 5-24-04
 CHECKED BY : D. A. GLADDEN DATE : 08-04

01-SEP-2004 12:06
 W:\sq\ad\U2717\mshalkh\Microstation\U-2717.sd.TS.01.dgn
 mshalkh