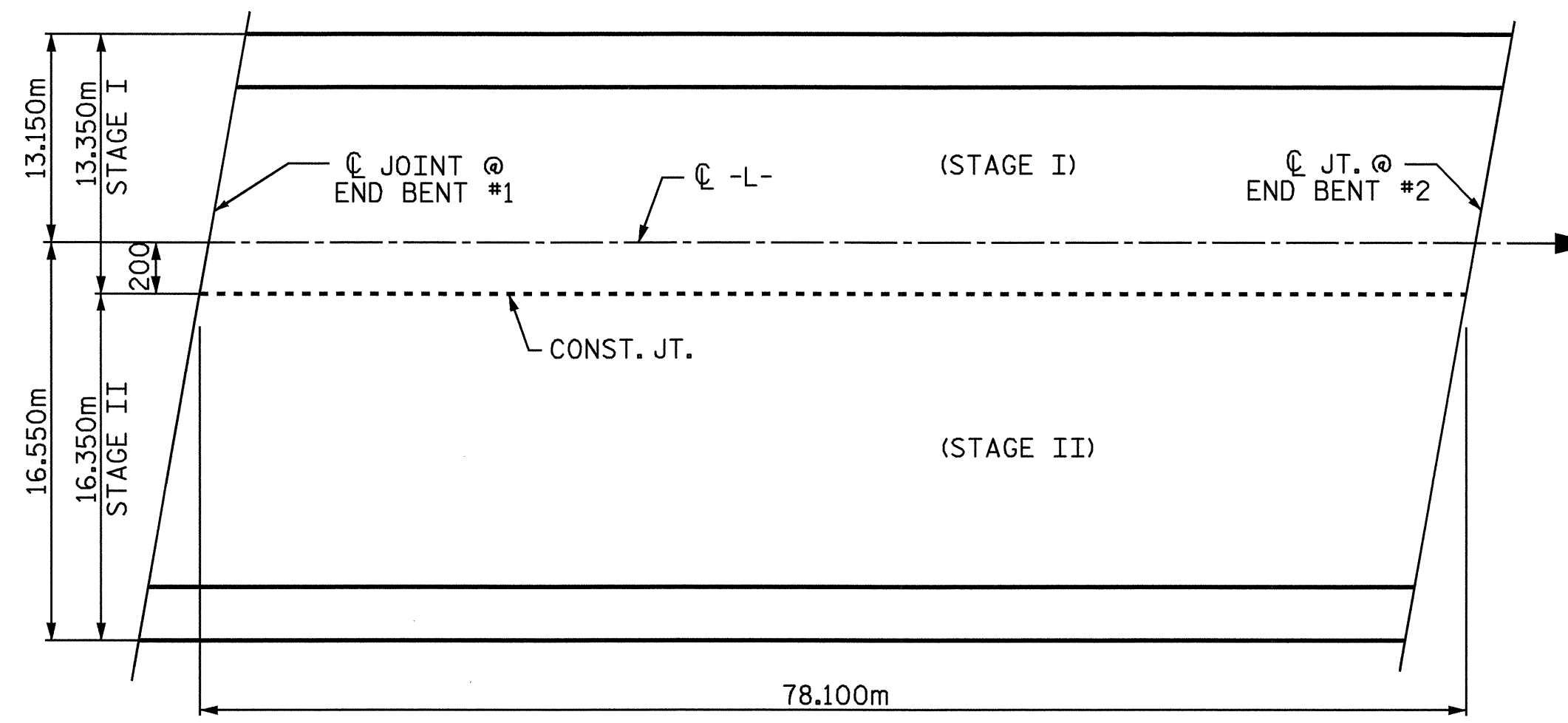


REINFORCING STEEL BAR SCHEDULE

STAGE I										STAGE II													
BAR	NO.	SIZE	TYPE	LENGTH	WEIGHT	BAR	NO.	SIZE	TYPE	LENGTH	WEIGHT	BAR	NO.	SIZE	TYPE	LENGTH	WEIGHT	BAR	NO.	SIZE	TYPE	LENGTH	WEIGHT
*A1	450	#16	STR	13260	9261	*B1	31	#13	STR	22560	695	*A3	443	#16	STR	15660	10767	A417	4	#16	STR	3840	24
A2	450	#16	STR	13260	9261	*B2	31	#22	STR	32600	3074	A4	443	#16	STR	15660	10767	A418	4	#16	STR	3160	20
						*B3	30	#22	STR	28500	2601							A419	4	#16	STR	2460	15
*A101	4	#16	STR	12580	78	*B4	31	#13	STR	25960	800	*A301	4	#16	STR	14980	93	A420	4	#16	STR	1760	11
*A102	4	#16	STR	11880	74	B5	260	#16	STR	16140	6513	*A302	4	#16	STR	14280	89	A421	4	#16	STR	1060	7
*A103	4	#16	STR	11180	69							*A303	4	#16	STR	13580	84						
*A104	4	#16	STR	10500	65							*A304	4	#16	STR	12900	80	*B1	41	#13	STR	22560	919
*A105	4	#16	STR	9800	61	*D1	232	#16	STR	920	331	*A305	4	#16	STR	12200	76	*B2	41	#22	STR	32600	4066
*A106	4	#16	STR	9100	56	D2	232	#16	STR	920	331	*A306	4	#16	STR	11500	71	*B3	35	#22	STR	28500	3034
*A107	4	#16	STR	8400	52	*D3	148	#13	STR	200	29	*A307	4	#16	STR	10800	67	*B4	41	#13	STR	25960	1058
*A108	4	#16	STR	7700	48							*A308	4	#16	STR	10100	63	B5	335	#16	STR	16140	8392
*A109	4	#16	STR	7020	44	*E1	4	#22	4	1060	13	*A309	4	#16	STR	9420	58						
*A110	4	#16	STR	6320	39	*E2	4	#22	4	1240	15	*A310	4	#16	STR	8720	54	*D1	232	#16	STR	920	331
*A111	4	#16	STR	5620	35	*E3	4	#22	4	1420	17	*A311	4	#16	STR	8020	50	D2	232	#16	STR	920	331
*A112	4	#16	STR	4920	31	*E4	4	#22	4	1560	19	*A312	4	#16	STR	7320	45	*D3	148	#13	STR	200	29
*A113	4	#16	STR	4240	26							*A313	4	#16	STR	6640	41						
*A114	4	#16	STR	3540	22	*F1	2	#19	STR	640	3	*A314	4	#16	STR	5940	37	*E1	4	#22	4	1060	13
*A115	4	#16	STR	2840	18	*F2	4	#19	STR	1040	9	*A315	4	#16	STR	5240	33	*E2	4	#22	4	1240	15
*A116	4	#16	STR	2140	13	*F3	2	#19	STR	1120	5	*A316	4	#16	STR	4540	28	*E3	4	#22	4	1420	17
*A117	4	#16	STR	1440	9	*F4	2	#19	STR	740	3	*A317	4	#16	STR	3840	24	*E4	4	#22	4	1560	19
*A118	4	#16	STR	760	5	*F5	4	#19	STR	1160	10	*A318	4	#16	STR	3160	20						
						*F6	2	#19	STR	1240	6	*A319	4	#16	STR	2460	15	*F1	2	#19	STR	640	3
A201	4	#16	STR	12580	78	*G1	2	#16	STR	14580	45	*A320	4	#16	STR	1760	11	*F2	4	#19	STR	1040	9
A202	4	#16	STR	11880	74	*G3	257	#13	STR	1920	490	*A321	4	#16	STR	1060	7	*F3	2	#19	STR	1120	5
A203	4	#16	STR	11180	69													*F4	2	#19	STR	740	3
A204	4	#16	STR	10500	65	*K1	4	#16	1	3260	20	A401	4	#16	STR	14980	93	*F5	4	#19	STR	1160	10
A205	4	#16	STR	9800	61	*K2	12	#16	2	4480	83	A402	4	#16	STR	14280	89	*F6	2	#19	STR	1240	6
A206	4	#16	STR	9100	56	*K3	4	#16	1	2680	17	A403	4	#16	STR	13580	84						
A207	4	#16	STR	8400	52							A404	4	#16	STR	12900	80	*G2	2	#16	STR	17220	53
A208	4	#16	STR	7700	48	*S1	72	#13	3	1380	99	A405	4	#16	STR	12200	76	*G3	257	#13	STR	1920	490
A209	4	#16	STR	7020	44							A406	4	#16	STR	11500	71						
A210	4	#16	STR	6320	39							A407	4	#16	STR	10800	67	*K4	4	#16	1	3180	20
A211	4	#16	STR	5620	35							A408	4	#16	STR	10100	63	*K5	16	#16	2	4320	107
A212	4	#16	STR	4920	31							A409	4	#16	STR	9420	58	*K6	4	#16	1	2600	16
A213	4	#16	STR	4240	26							A410	4	#16	STR	8720	54						
A214	4	#16	STR	3540	22							A411	4	#16	STR	8020	50	*S1	90	#13	3	1380	123
A215	4	#16	STR	2840	18							A412	4	#16	STR	7320	45						
A216	4	#16	STR	2140	13							A413	4	#16	STR	6640	41						
A217	4	#16	STR	1440	9							A414	4	#16	STR	5940	37						
A218	4	#16	STR	760	5							A415	4	#16	STR	5240	33						
												A416	4	#16	STR	4540	28						

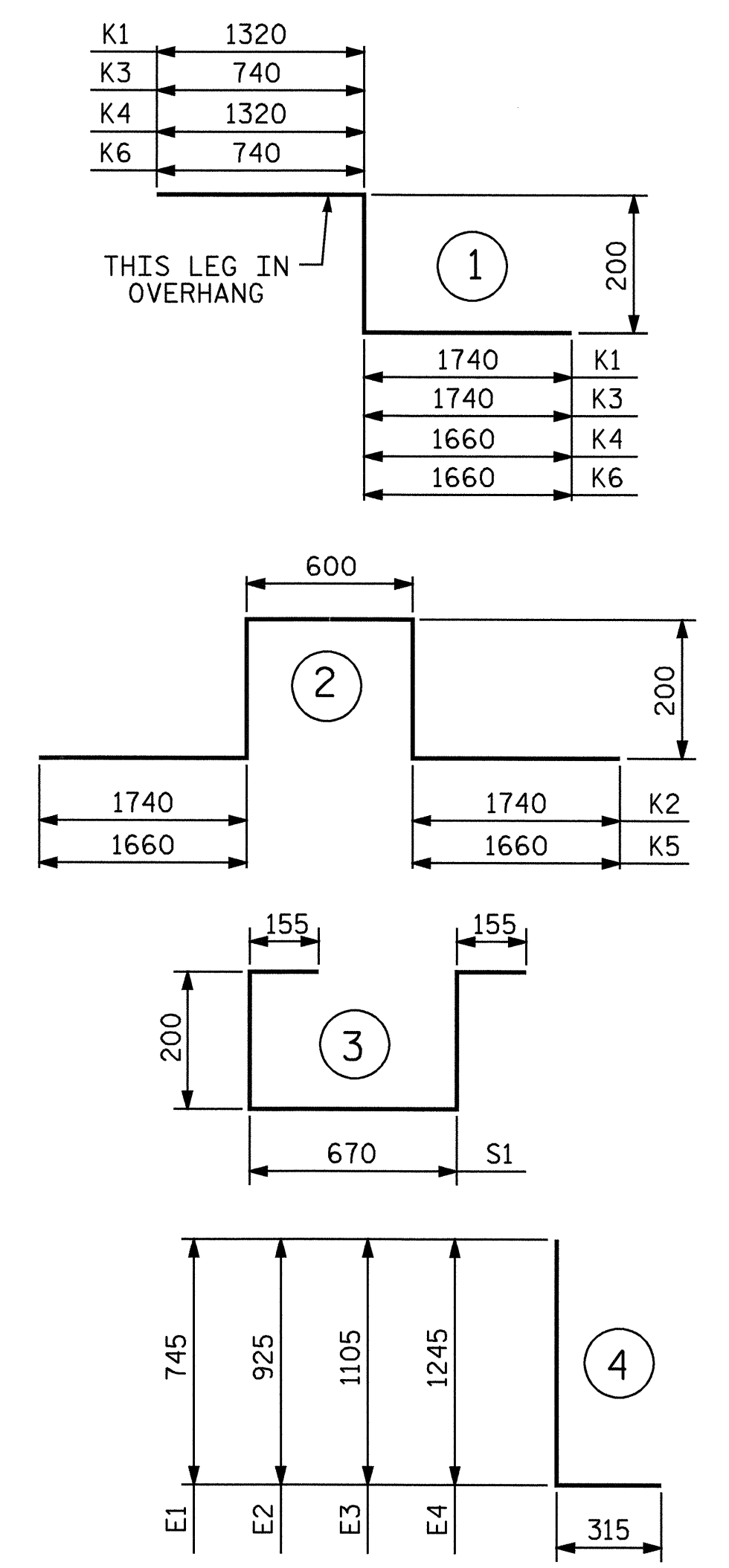


LAYOUT FOR COMPUTING AREA OF REINFORCED CONCRETE DECK SLAB
 SQ. M. = 1042 (STAGE I)
 SQ. M. = 1277 (STAGE II)
 SQ. M. = 2319 (TOTAL)

REINFORCING STEEL = 16850 KG.
 *EPOXY COATED REINF. STEEL = 18390 KG.

REINFORCING STEEL = 20536 KG.
 *EPOXY COATED REINF. STEEL = 22159 KG.

BAR TYPES



ALL BAR DIMENSIONS ARE OUT TO OUT

SUPERSTRUCTURE REINFORCING STEEL LENGTHS ARE BASED ON THE FOLLOWING MINIMUM SPLICE LENGTHS

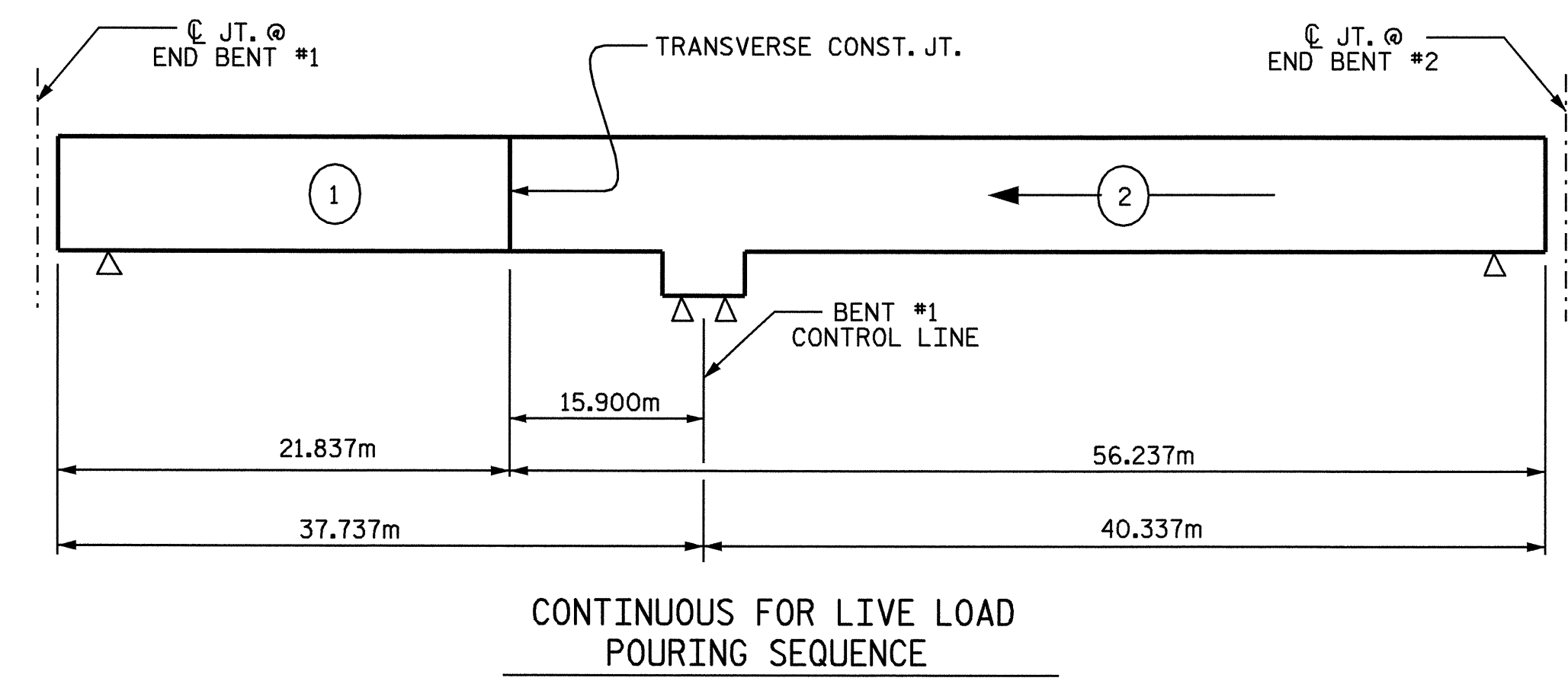
BAR SIZE	SUPERSTRUCTURE EXCEPT APPROACH SLABS, PARAPET, AND BARRIER RAIL		APPROACH SLABS		PARAPET AND BARRIER RAIL
	EPOXY COATED	UNCOATED	EPOXY COATED	UNCOATED	
#13	610	540	610	540	840
#16	770	660	770	660	1050
#19	920	790	1190	790	1330
#22	1580	1060			
#25	2080	1390			

GROOVING BRIDGE FLOORS

BRIDGE DECK (STAGE I)	= 846 SQ. M.
APPROACH SALBS (STAGE I)	= 256 SQ. M.
BRIDGE DECK (STAGE II)	= 1080 SQ. M.
APPROACH SALBS (STAGE II)	= 197 SQ. M.
TOTAL	= 2379 SQ. M.

TOTAL SUPERSTRUCTURE BILL OF MATERIAL

	CLASS AA CONCRETE (CU. M.)				REINFORCING STEEL (KG.)	EPOXY COATED REINFORCING STEEL (KG.)
	POUR #1	POUR #2	POUR #3 (SIDEWALK)	TOTAL		
STAGE I	78.3	200.3	33.4	312.0	16850	18390
STAGE II	105.6	246.4	33.4	385.4	20536	22159
TOTALS				697.4	37386	40549



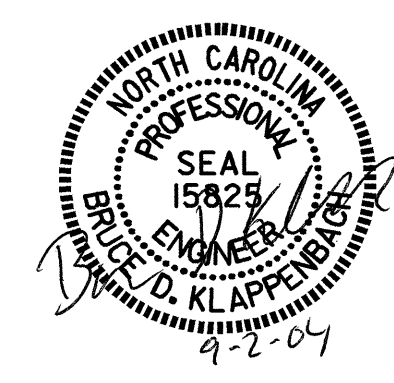
CONTINUOUS FOR LIVE LOAD POURING SEQUENCE

PROJECT NO. U-2717
 GUIFORD COUNTY
 STATION: 40+56.584 -L-

STATE OF NORTH CAROLINA
 DEPARTMENT OF TRANSPORTATION
 RALEIGH

SUPERSTRUCTURE BILL OF MATERIAL

REVISIONS						SHEET NO. S-30
NO.	BY:	DATE:	NO.	BY:	DATE:	
1			3			TOTAL SHEETS 47
2			4			



DRAWN BY: M. G. SHAIKH DATE: 7-19-04
 CHECKED BY: D. A. GLADDEN DATE: 08-04