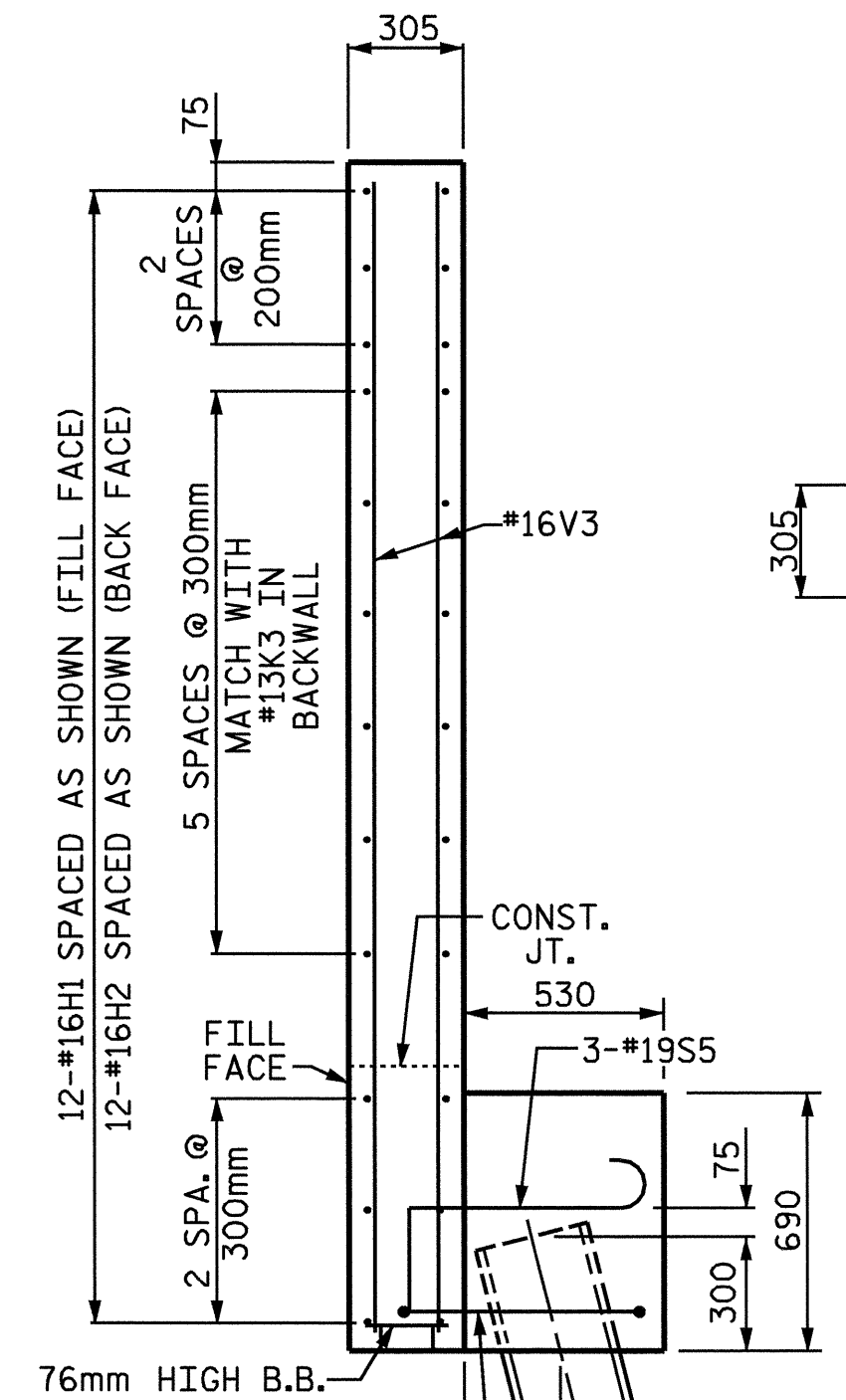
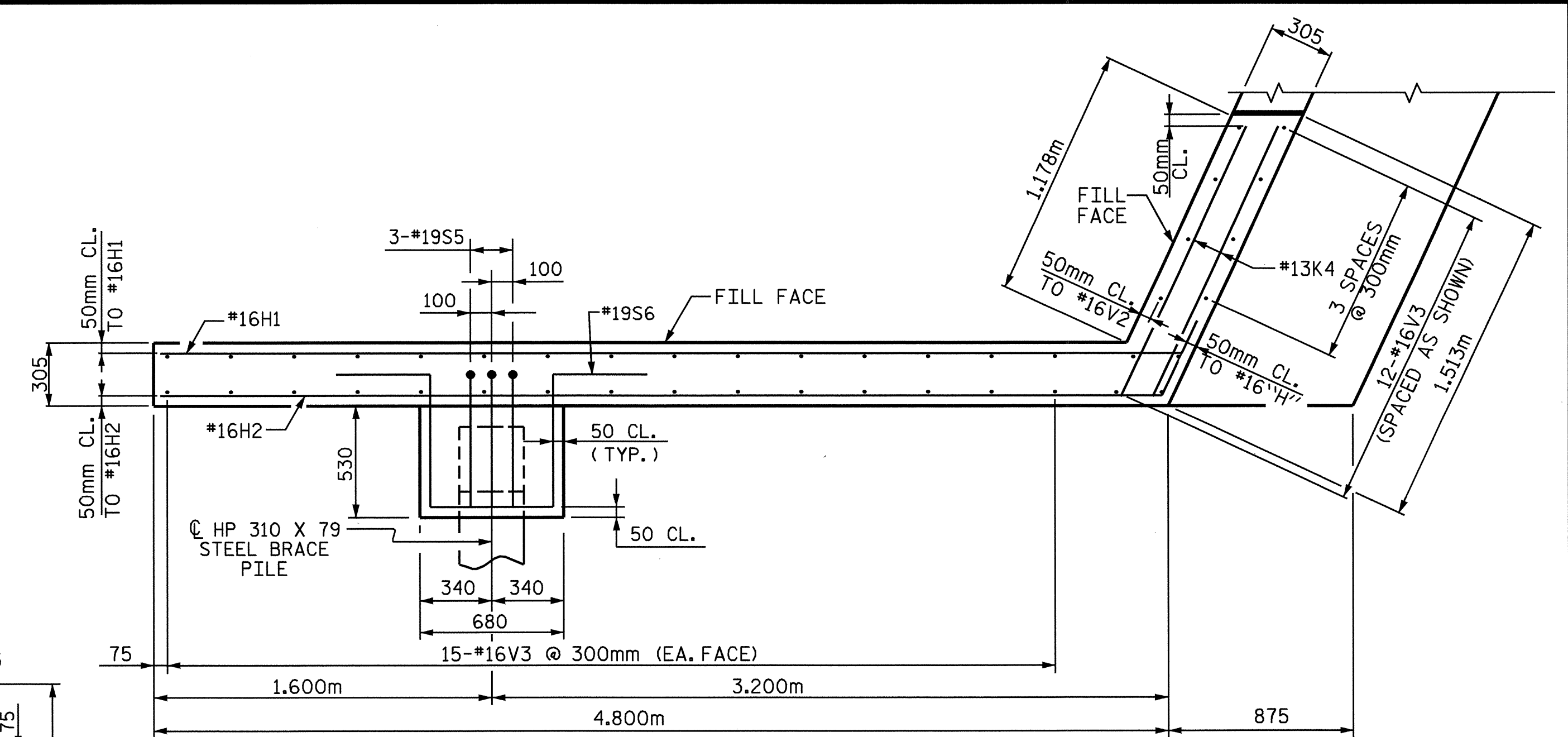


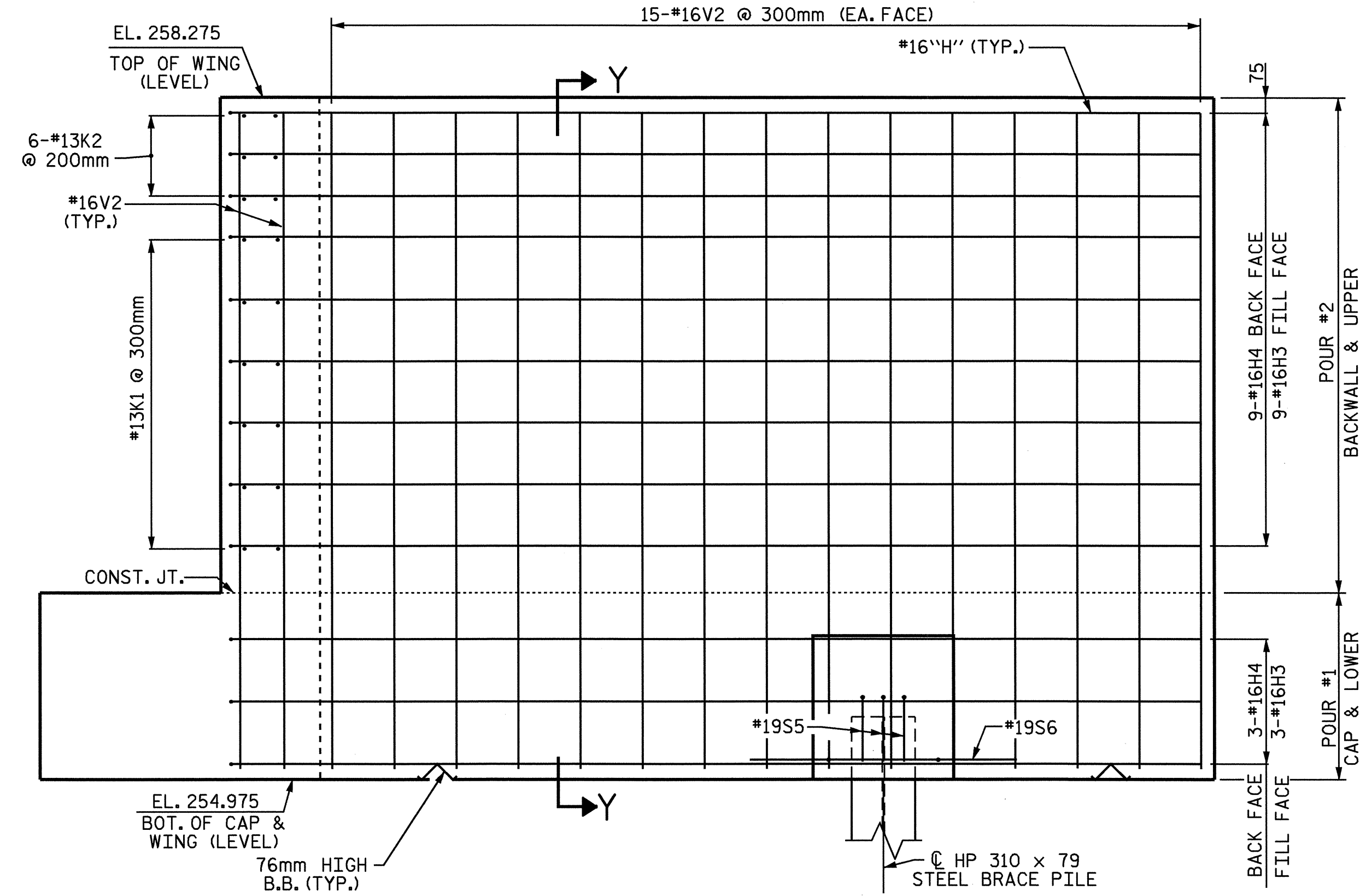
PLAN OF LEFT WING - (W1)



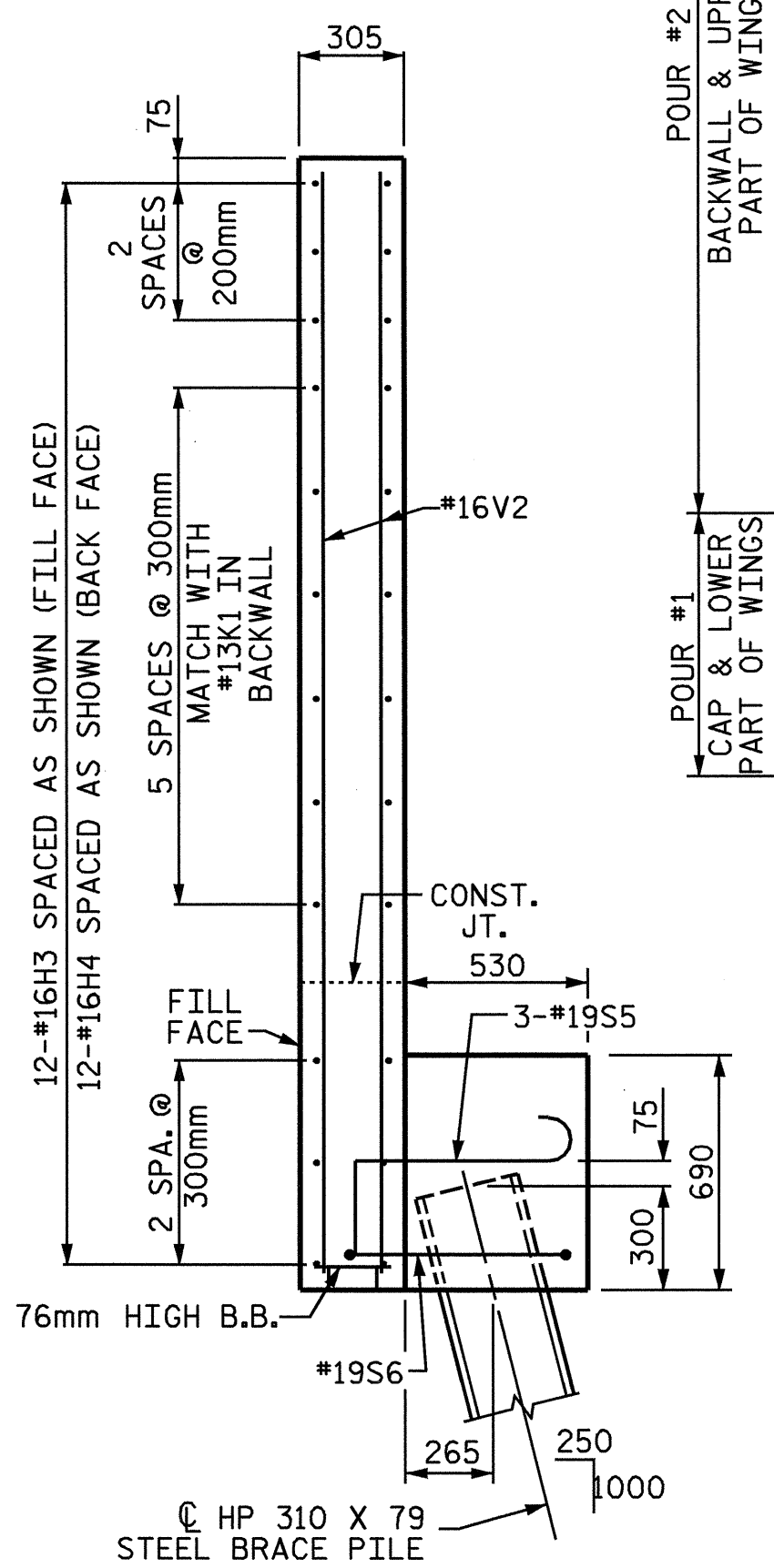
SECTION X-X



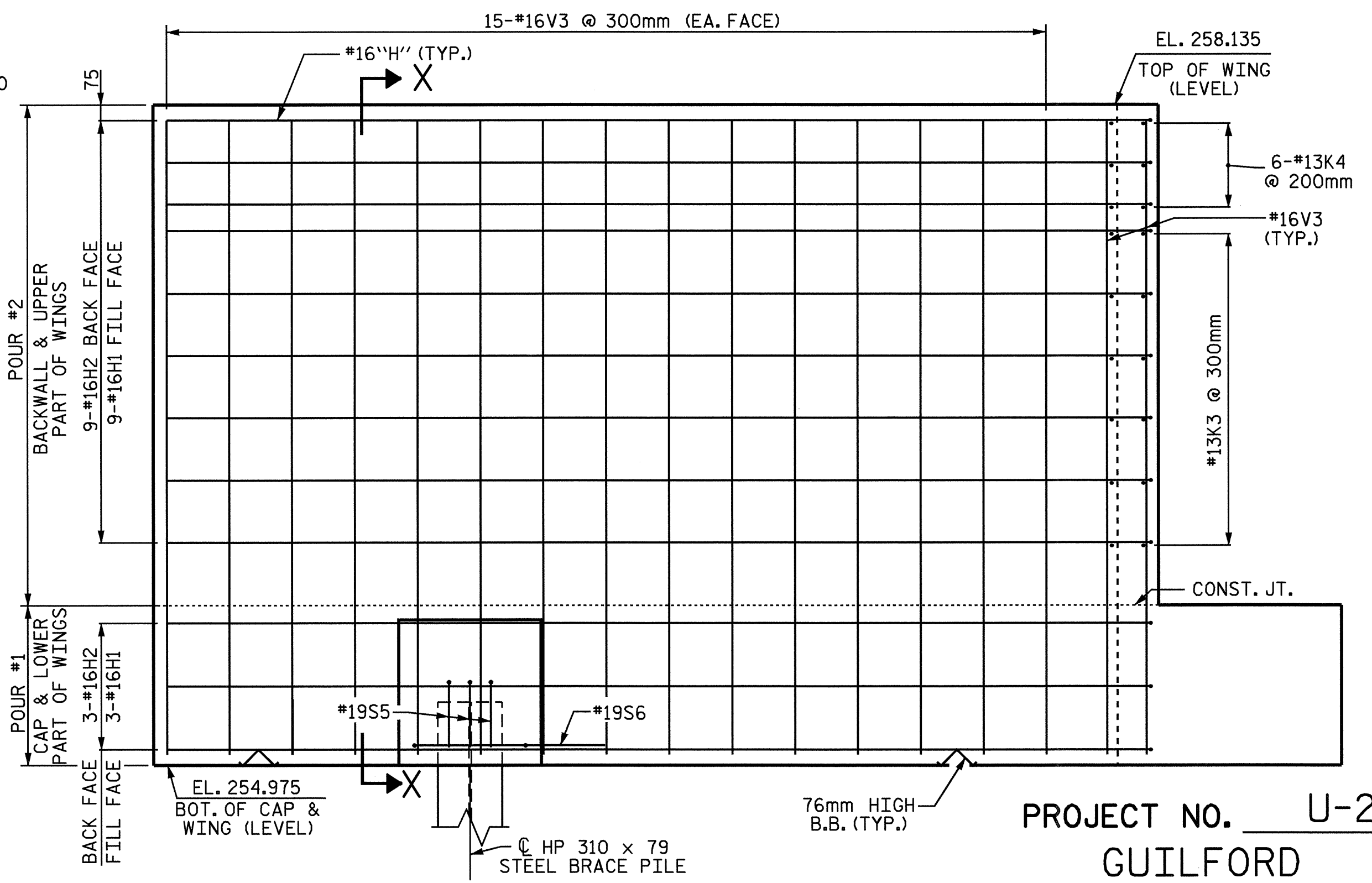
PLAN OF RIGHT WING - (W2)



ELEVATION OF LEFT WING - (W1)



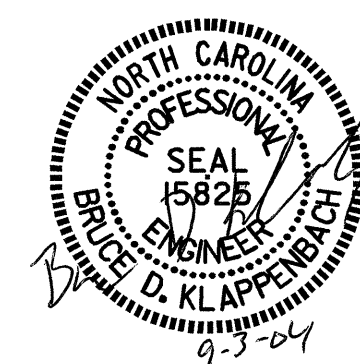
SECTION Y-Y



ELEVATION OF RIGHT WING - (W2)

PROJECT NO. U-2717
 GUILFORD COUNTY
 STATION 40+56.584-L-

SHEET 3 OF 4
 DEPARTMENT OF TRANSPORTATION
 RALEIGH
 SUBSTRUCTURE
 END BENT #1
 WING DETAILS
 (STAGES I & II)



REVISIONS						SHEET NO.	
NO.	BY:	DATE:	NO.	BY:	DATE:	5-33	
1			3			TOTAL SHEETS	
2			4			47	

03-SEP-2004 09:58
 H:\epd\102\102\102\barbour\Microstation\U-2717.scd\E_01.dgn
 H.T. BARBOUR

DRAWN BY: H.T. BARBOUR DATE: 8-16-04
 CHECKED BY: S.P. LAM DATE: 8-26-04

STR. #1