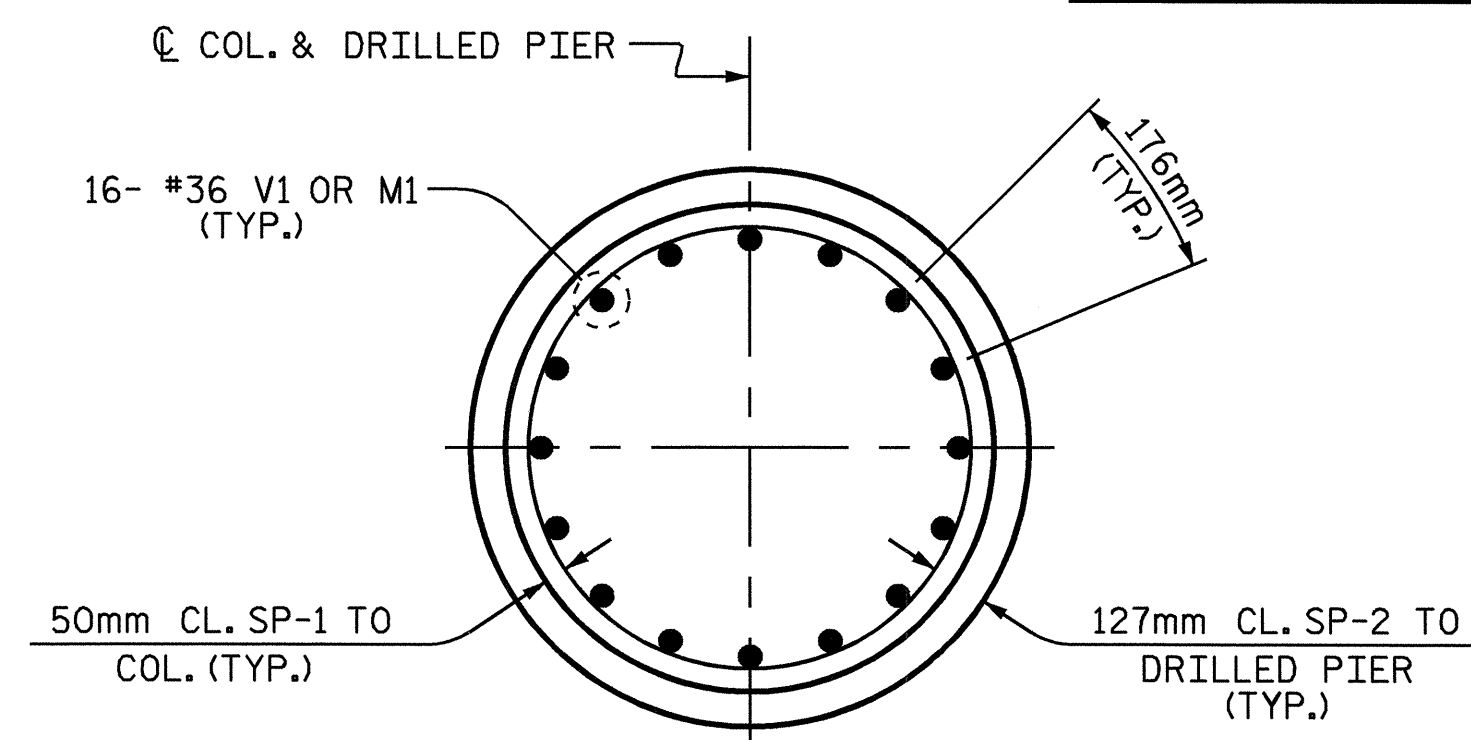
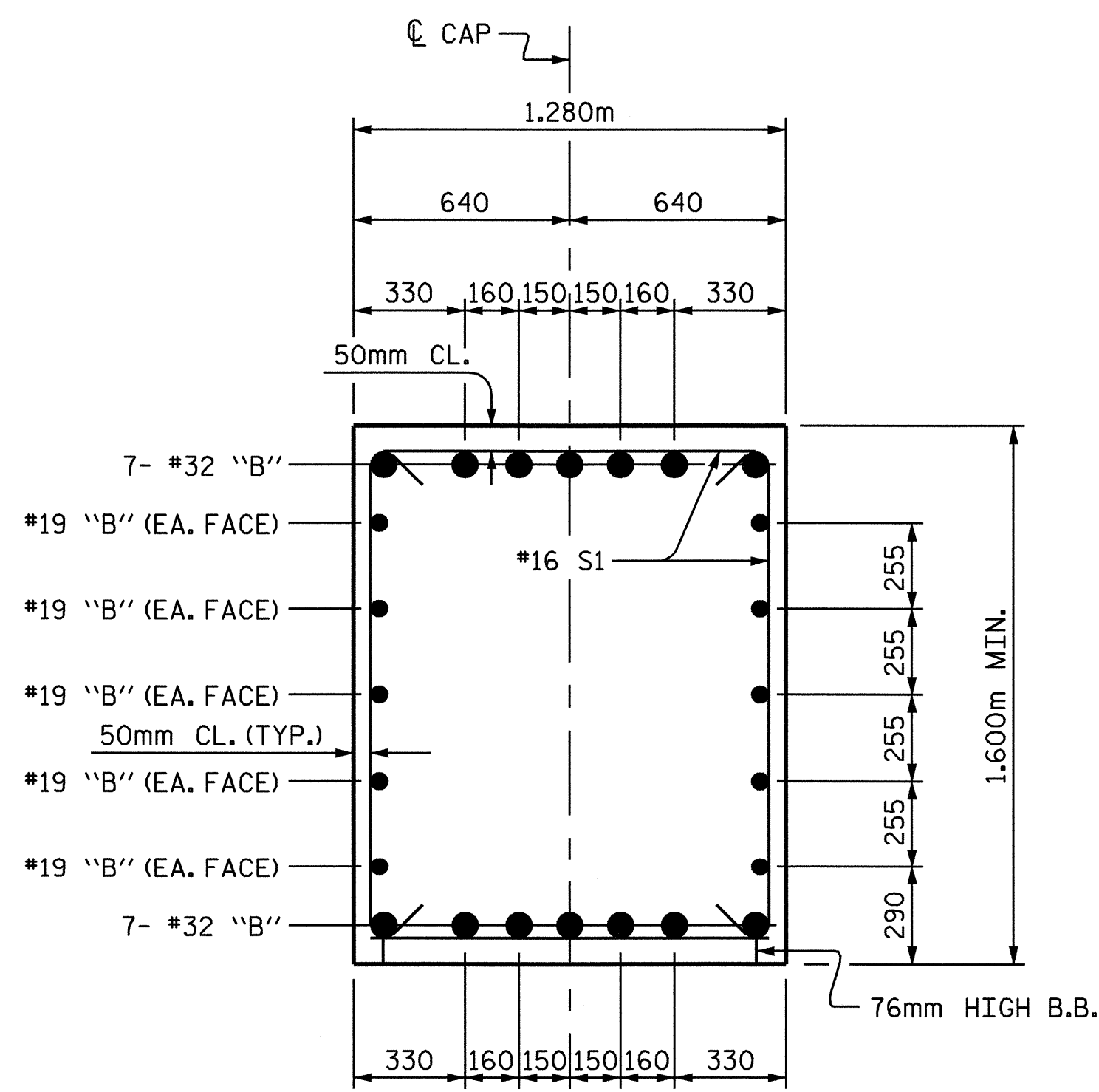


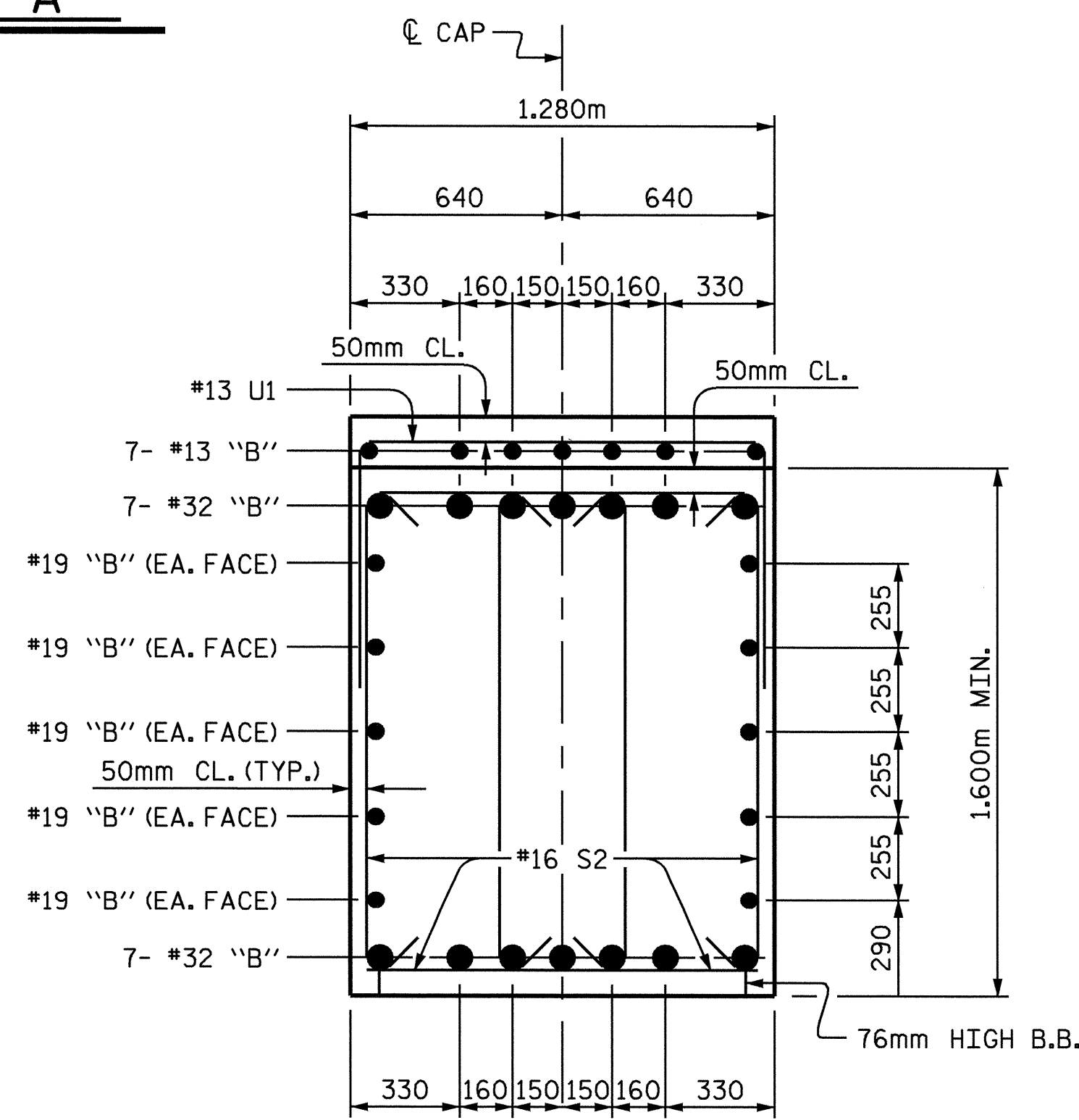
**PLAN OF COLUMNS & DRILLED PIERS**



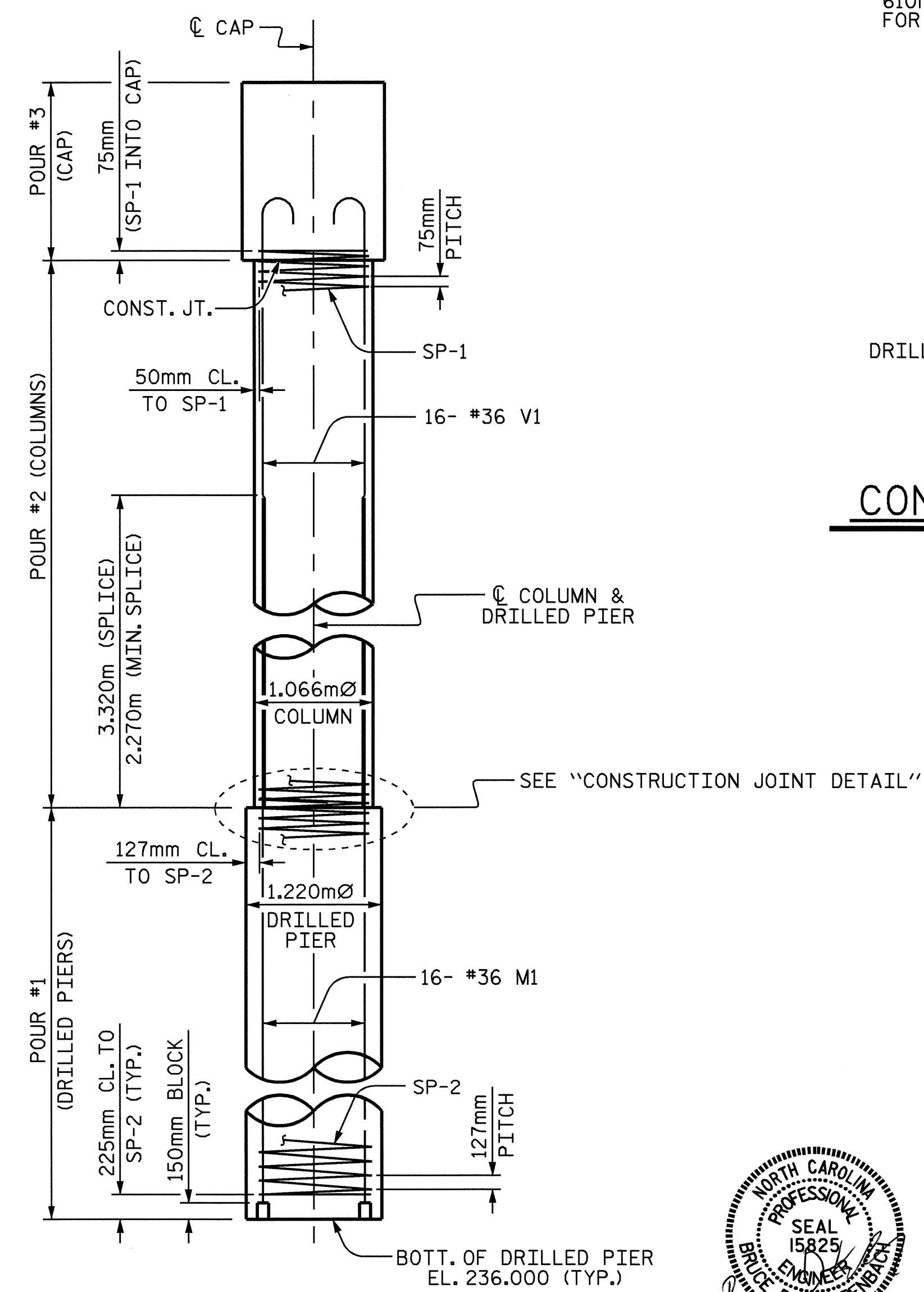
**DETAIL "A"**



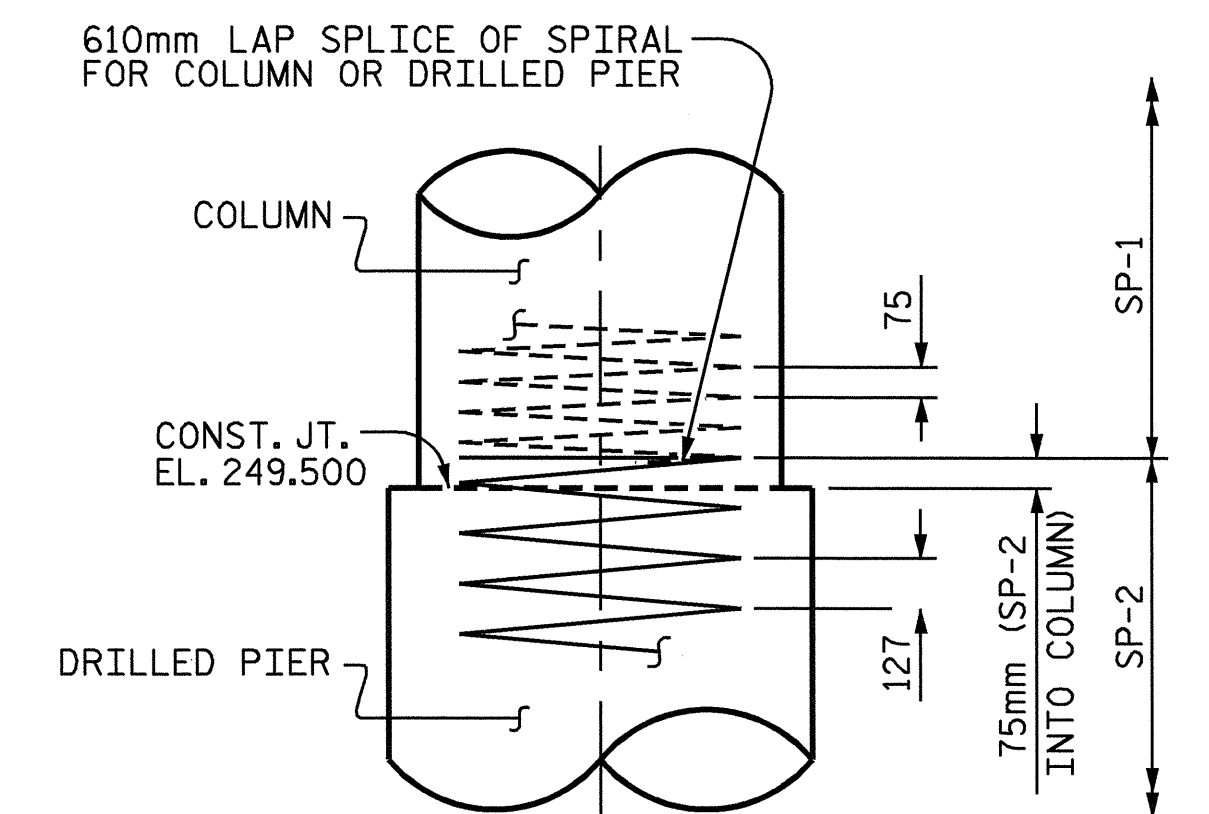
**SECTION THRU CAP**



**SECTION THRU CAP**  
(SHOWING DOUBLE STIRRUPS)



**END ELEVATION**



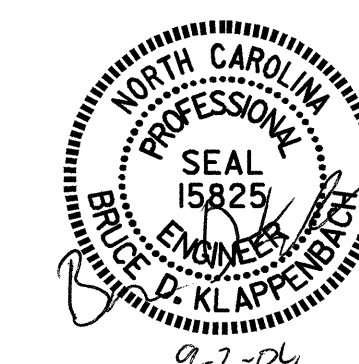
**CONSTRUCTION JOINT DETAIL**

PROJECT NO. U-2717  
GUILFORD COUNTY  
 STATION: 40+56.584 -L-

SHEET 2 OF 3

STATE OF NORTH CAROLINA  
 DEPARTMENT OF TRANSPORTATION  
 RALEIGH

**SUBSTRUCTURE  
 BENT #1**



REVISIONS						SHEET NO.
NO.	BY:	DATE:	NO.	BY:	DATE:	
1			3			S-36
2			4			TOTAL SHEETS 47

DRAWN BY: D. A. GLADDEN DATE: 7-26-04  
 CHECKED BY: M. G. SHAIKH DATE: 8-27-04

01-SEP-2004 12:17  
 W:\squad1\U2717\dgladden\Microrstation\U2717bts.dgn  
 dgladden