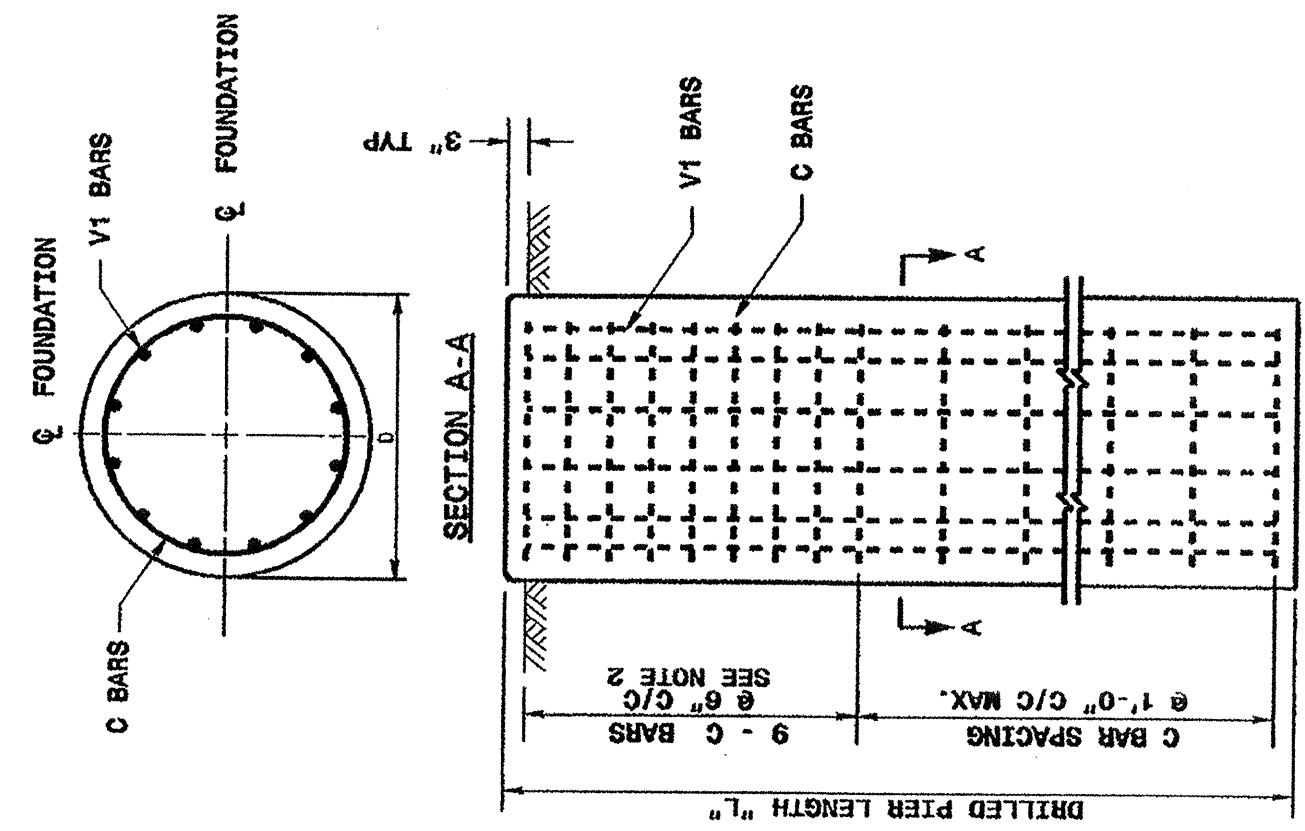


STATE OF NORTH CAROLINA
 DEPT. OF TRANSPORTATION
 DIVISION OF HIGHWAYS
 RALEIGH, N.C.

ENGLISH STANDARD DRAWING FOR
**METAL POLE FOUNDATIONS
 REINFORCING CAGE DETAILS**

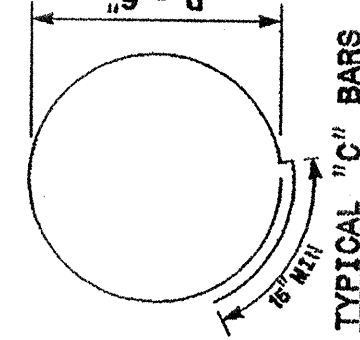
SHEET 1 OF 2
1742.01



REINFORCING STEEL TABLE FOR STANDARD DRILL PIER SHAFT (42" & 48" DIAMETER)

SHAFT DIA. (in.)	VOLUME OF CONC. (cu. yds.)	BAR No.	Size	Type	Length
42"	.358 X L	V1	#8	STR.	33'-X
		C	#4	STR.	10'-8"
48"	.465 X L	V1	#8	STR.	33'-X
		C	#4	STR.	12'-8"

* See Construction Note No. 2.
 ** See Construction Note No. 3.



REINFORCING STEEL TABLE FOR STANDARD 42" and 48" DRILL PIER SHAFT WITH TYPE 1 AND TYPE 2 WING WALLS

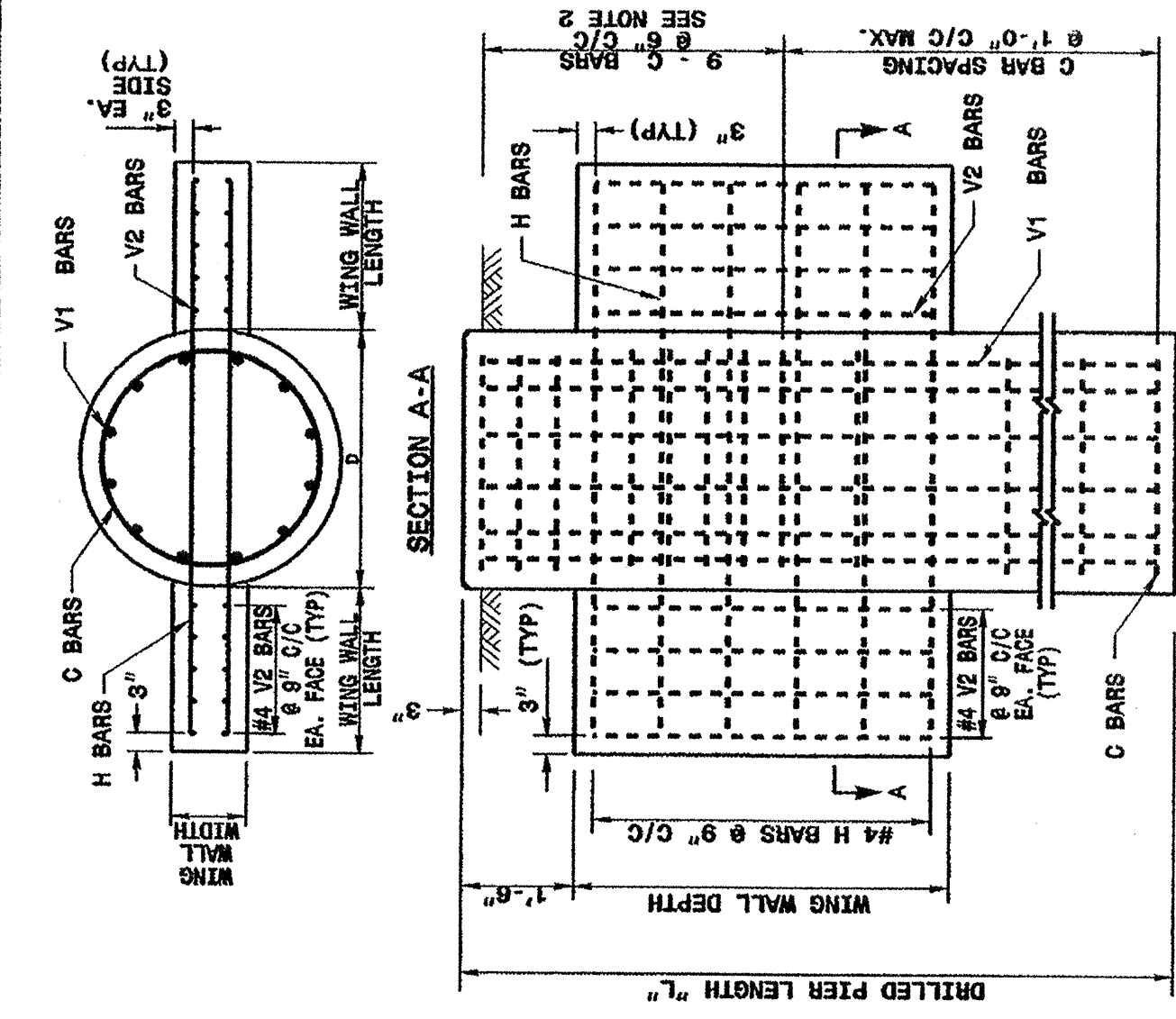
Wing Wall Type	Wing Wall Dia. (in.)	Bar No.	Size	Type	Length
TYPE 1	42"	V1	#8	STR.	33'-X
		H	#4	STR.	2'-6"
TYPE 2	42"	V1	#8	STR.	33'-X
		H	#4	STR.	10'-8"
TYPE 2	48"	V1	#8	STR.	33'-X
		H	#4	STR.	12'-8"

* See Construction Note No. 1.
 ** See Construction Note No. 2.
 *** See Construction Note No. 3.

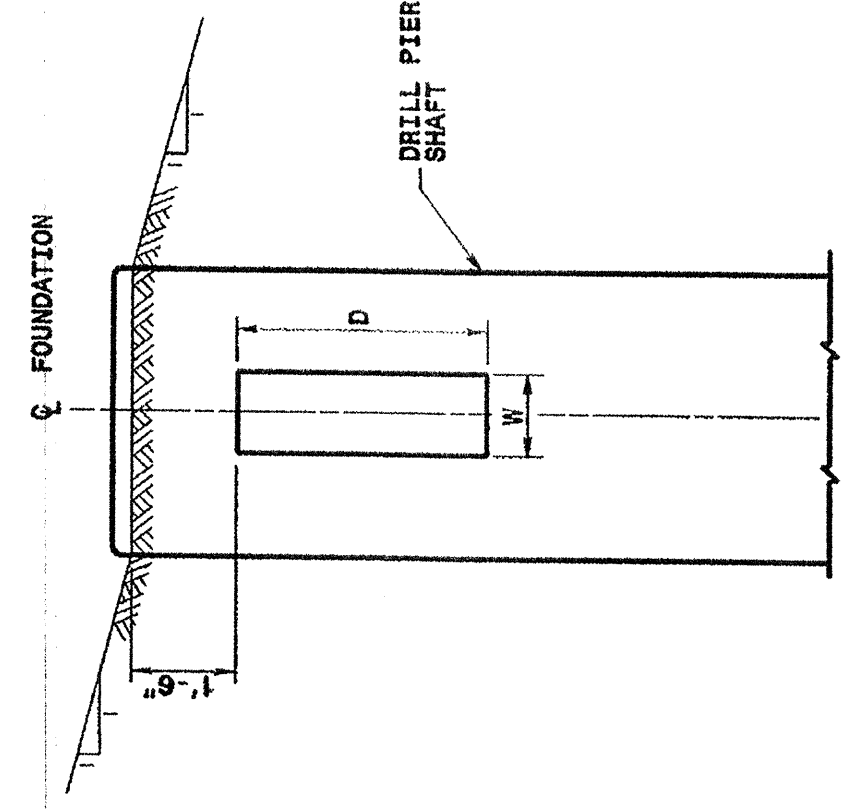
WING WALL DETAILS

Wing Wall Type	Wing Wall Dia. (in.)	Wing Wall Length (ft.)	Concrete Volume (Cu. Yds.)
TYPE 1	1'-6"	1'-0"	8'-0"
TYPE 2	3'-0"	1'-0"	8'-0"
			1'-2"

See Construction Note No. 3.



- NOTES**
1. THE NUMBER OF C-BARS IS BASED ON FOUNDATION DEPTH. SEE FOUNDATION SELECTION TABLES.
 2. CIRCULAR TIE REINFORCING RINGS MAY BE VERTICALLY SPACED AT 3'-0" TO 4'-0" DEPTH BETWEEN 2'-0" AND 3'-0" TO FACILITATE THE INSTALLATION OF ELECTRICAL CONDUIT ENTERING IN THE CAGE.
 3. THE LENGTH OF V1-BARS IS BASED ON FOUNDATION DEPTH. SEE FOUNDATION SELECTION TABLES.
 4. THE QUANTITIES FOR STEEL AND CONCRETE SHOWN IN THE WING WALL DETAILS CHART REFLECT THE AMOUNT OF MATERIAL FOR 1 PAIR OF WING WALLS (2 WING WALLS PER DRILL PIER SHAFT.)
 5. CONCRETE DRILL PIER SHAFT VOLUME (CU. YDS.):
 FOR 42" DIA. = .358XL
 FOR 48" DIA. = .465XL
 6. DEFORM REINFORCING STEEL TO CONFORM TO ASTM A615 GRADE 60. TIES MAY BE DEFORMED OR PLAIN.
 7. CAST CONCRETE AGAINST UNDISTURBED SOIL.
 8. DO NOT ERECT TRAFFIC SIGNAL STRUCTURES BEFORE THE CONCRETE IN THE FOUNDATION HAS ATTAINED A MINIMUM COMPRESSIVE STRENGTH OF 3000 PSI.
 9. MAKE PROVISIONS FOR DRAINAGE OF WATER FROM INSIDE OF THE METAL SUPPORT.
 10. FOR OTHER DETAILS REGARDING CONSTRUCTION OF CONCRETE FOUNDATION SEE PROJECT SPECIAL PROVISIONS.
 11. IN CASE OF ANY CROSS SLOPES, GRADE AROUND THE FOUNDATION AS FOLLOWS:



STATE OF NORTH CAROLINA
 DEPT. OF TRANSPORTATION
 DIVISION OF HIGHWAYS
 RALEIGH, N.C.

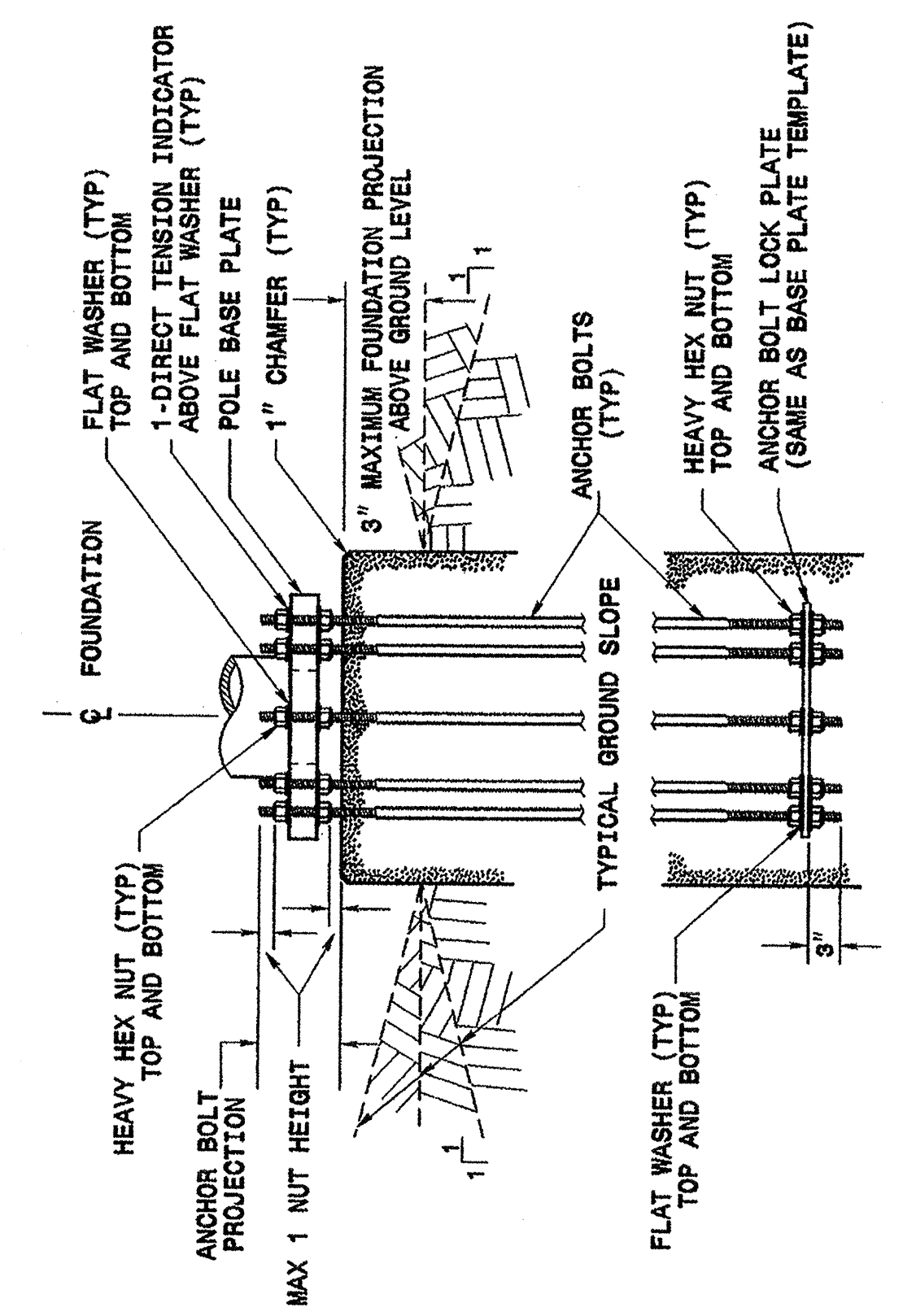
ENGLISH STANDARD DRAWING FOR
**METAL POLE FOUNDATIONS
 REINFORCING CAGE DETAILS**

SHEET 1 OF 2
1742.01

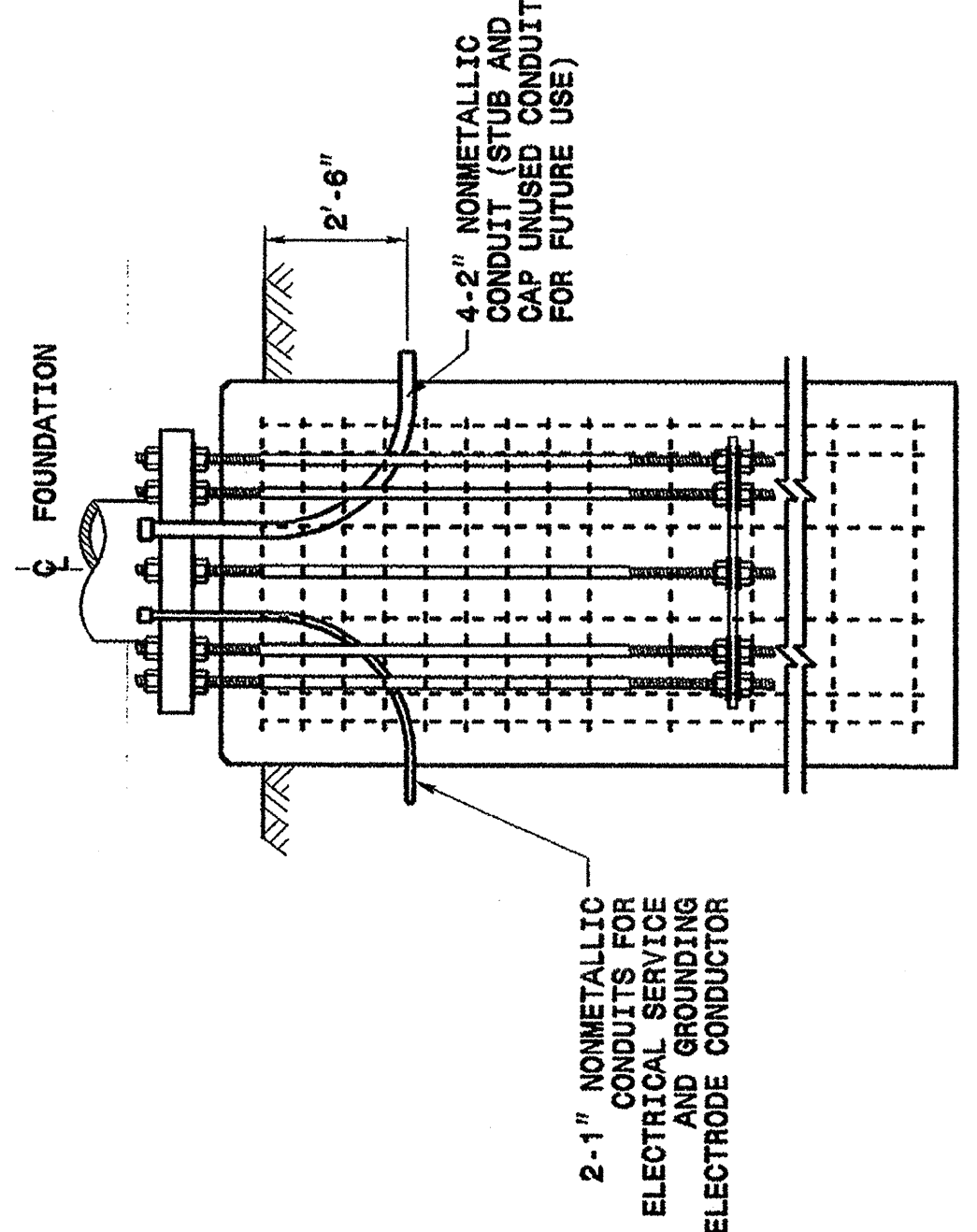
STATE OF NORTH CAROLINA
 DEPT. OF TRANSPORTATION
 DIVISION OF HIGHWAYS
 RALEIGH, N.C.

ENGLISH STANDARD DRAWING FOR
**METAL POLE FOUNDATIONS
 INSTALLATION DETAILS**

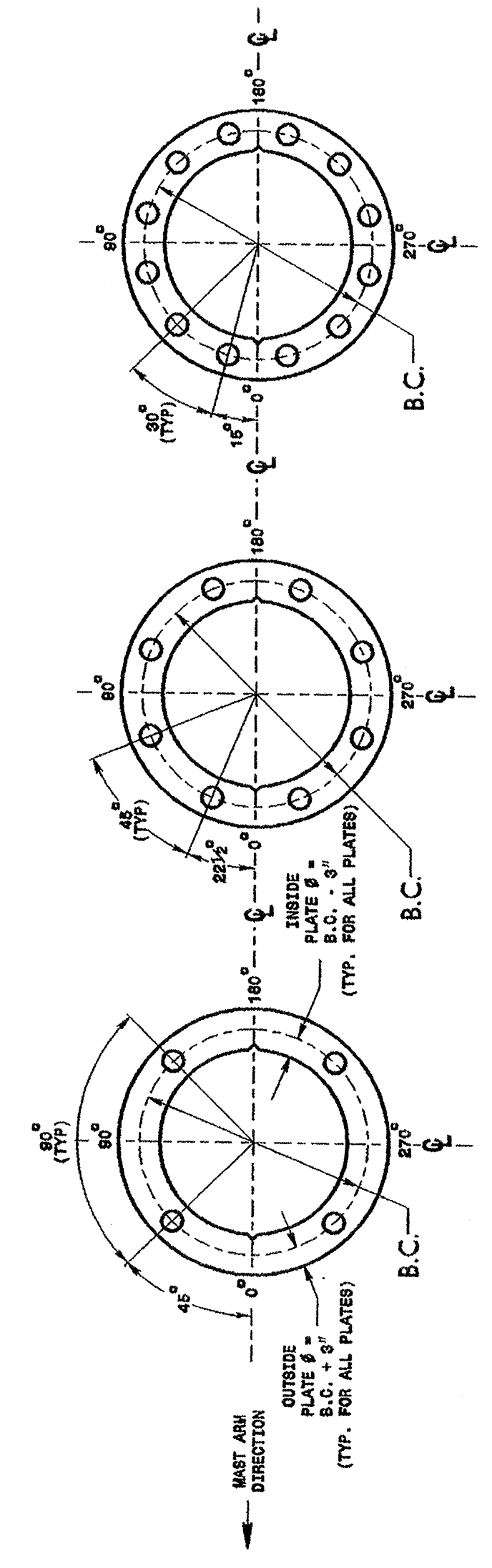
SHEET 2 OF 2
1742.01



TYPICAL FOUNDATION ANCHOR BOLT DETAILS
 REINFORCING CAGE NOT SHOWN FOR CLARITY



TYPICAL FOUNDATION CONDUIT DETAILS



FOR 4 BOLT BASE PLATE
 CONSTRUCT TEMPLATES AND PLATES FROM 3/8" THICK STEEL. GALVANIZING IS NOT REQUIRED.
 BASE PLATE TEMPLATE AND ANCHOR BOLT LOCK PLATE DETAILS

FOR 8 BOLT BASE PLATE

FOR 12 BOLT BASE PLATE

Structural Engineer D. Sarikar 9.12.03 SIGNATURE DATE	Electrical Engineer Wilton I. Dean 9/18/03 SIGNATURE DATE
---	---

Standard Drawings
 Traffic Management and Signal Systems Unit
 122 N. McDowell St., Raleigh, NC 27603

See Plate for Title

Original: 2002 Standards