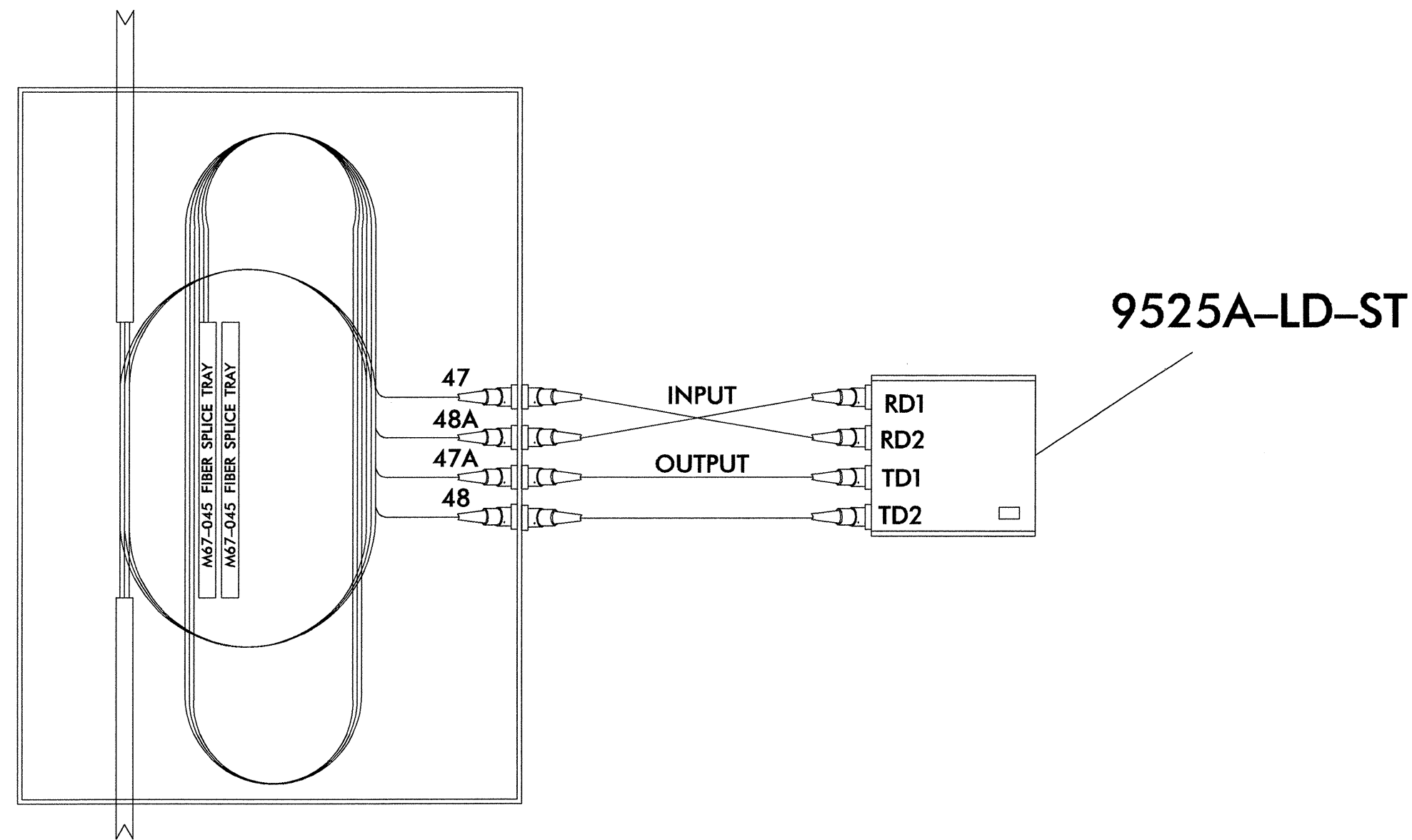


INTERSECTION I.D. #709  
 SR 1113 (KIVETT DRIVE) AT  
 SR 1332 (SCIENTIFIC DRIVE)  
 (07-0856)

**LEGEND**  
 X = FUSION SPlice

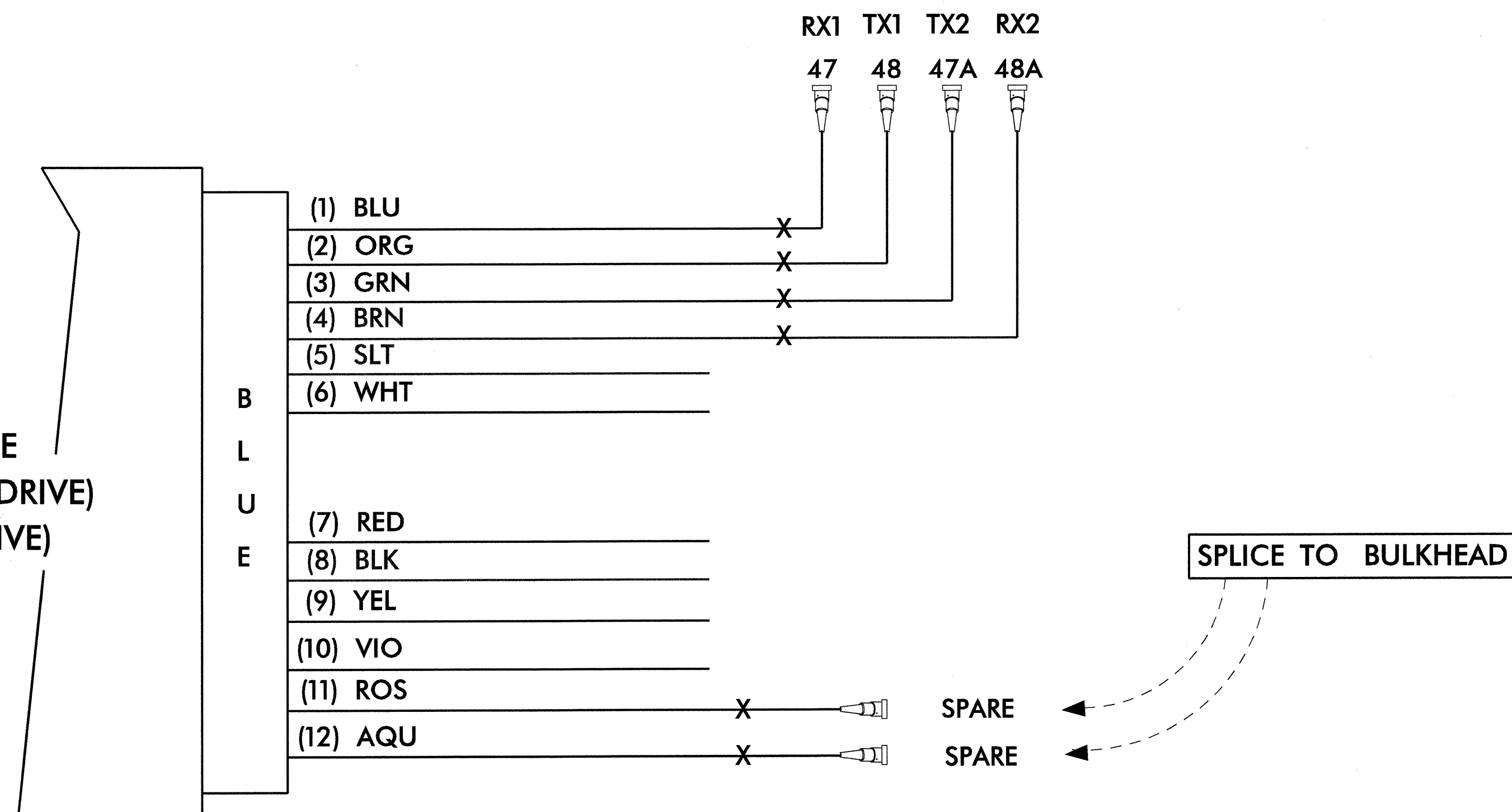
COLOR CODE  
 TIA/EIA 598-A

- (1) BLUE
- (2) ORANGE
- (3) GREEN
- (4) BROWN
- (5) SLATE
- (6) WHITE
- (7) RED
- (8) BLACK
- (9) YELLOW
- (10) VIOLET
- (11) ROSE
- (12) AQUA



FURNISH NEW INTERCONNECT CENTER,  
 OPTELECOM FIBER-OPTIC MODEM PART  
 NUMBER 9525A-LD-ST PS (POWER SUPPLY)  
 OR AN APPROVED EQUIVALENT

12 FIBER FROM AERIAL SPLICING  
 ENCLOSURE AT SR 1113 (KIVETT DRIVE)  
 AND SR 1332 (SCIENTIFIC DRIVE)  
 (07-0856)  
 INTERSECTION I.D. #709



	<b>SPLICE PLAN</b> <b>FIBER OPTIC CABLE</b> SR 1113 (KIVETT DRIVE) AT PENDLETON STREET GUILFORD COUNTY HIGH POINT		SEAL NORTH CAROLINA PROFESSIONAL SEAL 19798 ENGINEER DONALD W. MORTON
	DIVISION 07 PLAN DATE: 05-15-04 PREPARED BY: C.B. HOLDEN	REVIEWED BY: D.W. MORTON RK&K PROJ.# 302-079-SIG5	
SCALE N/A	SIGNATURE: <i>D.W. Morton</i> DATE: 7-7-04		SEAL

CADD FILE NAME: SPLICEDETAIL-4.DGN