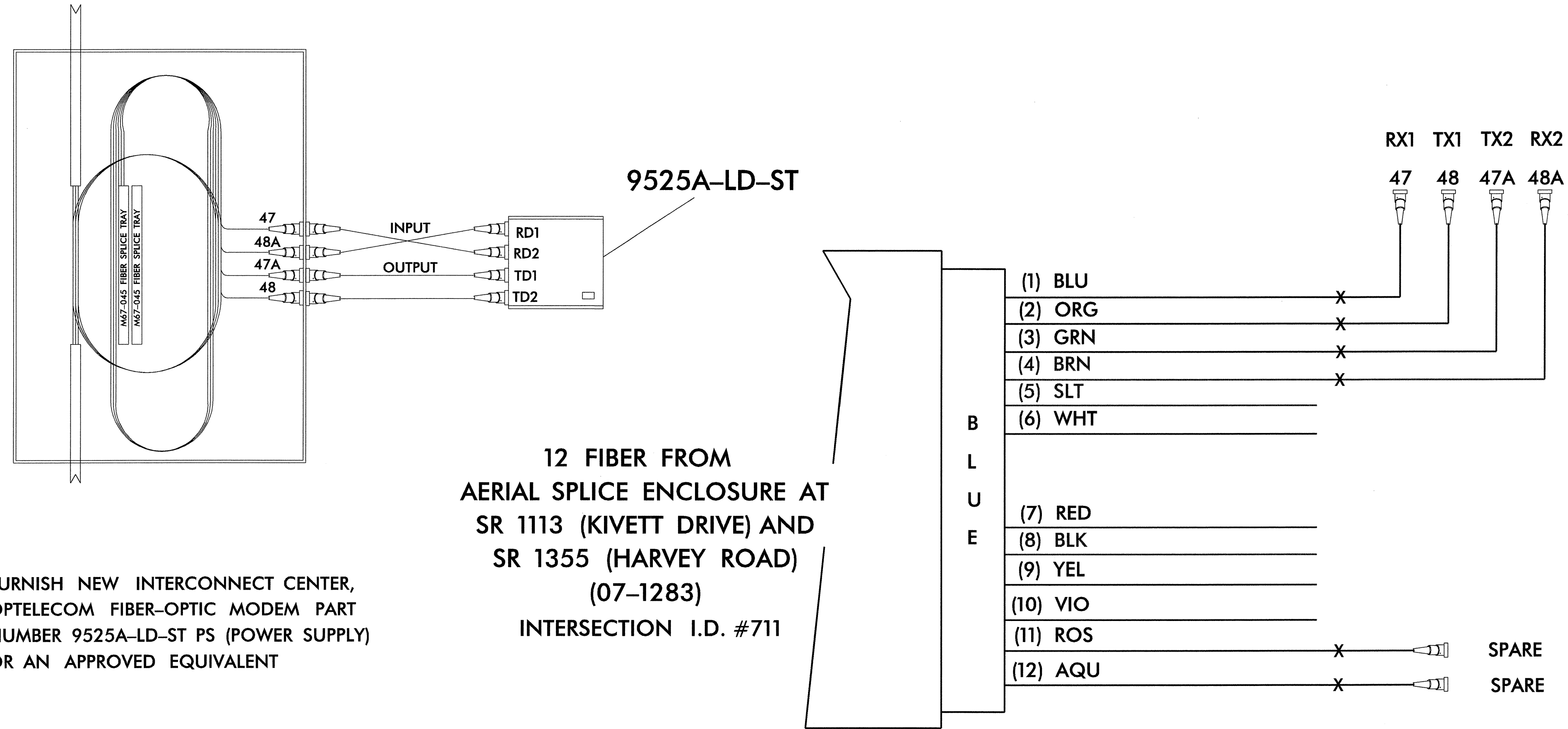


INTERSECTION I.D. #711
 SR 1113 (KIVETT DRIVE) AT
 SR 1355 (HARVEY ROAD)
 (07-1283)

LEGEND
 X = FUSION SPLICE

COLOR CODE
 TIA/EIA 598-A

- (1) BLUE
- (2) ORANGE
- (3) GREEN
- (4) BROWN
- (5) SLATE
- (6) WHITE
- (7) RED
- (8) BLACK
- (9) YELLOW
- (10) VIOLET
- (11) ROSE
- (12) AQUA



FURNISH NEW INTERCONNECT CENTER,
 OPTELECOM FIBER-OPTIC MODEM PART
 NUMBER 9525A-LD-ST PS (POWER SUPPLY)
 OR AN APPROVED EQUIVALENT

12 FIBER FROM
 AERIAL SPLICE ENCLOSURE AT
 SR 1113 (KIVETT DRIVE) AND
 SR 1355 (HARVEY ROAD)
 (07-1283)
 INTERSECTION I.D. #711

	SPLICE PLAN FIBER OPTIC CABLE SR 1113 (KIVETT DRIVE) AT PENDLETON STREET		
	DIVISION 07 GUILFORD COUNTY HIGH POINT		
	PLAN DATE: 05-15-04	REVIEWED BY: D.W. MORTON	
PREPARED BY: C.B. HOLDEN		TRK/PROJ.#: 302-079-SIG5	
SCALE N/A	REVISIONS	INIT. DATE	SIGNATURE: <i>D.W. Morton</i> 7-7-04 DATE
CADD FILE NAME: SPLICEDETAIL.8.DGN			