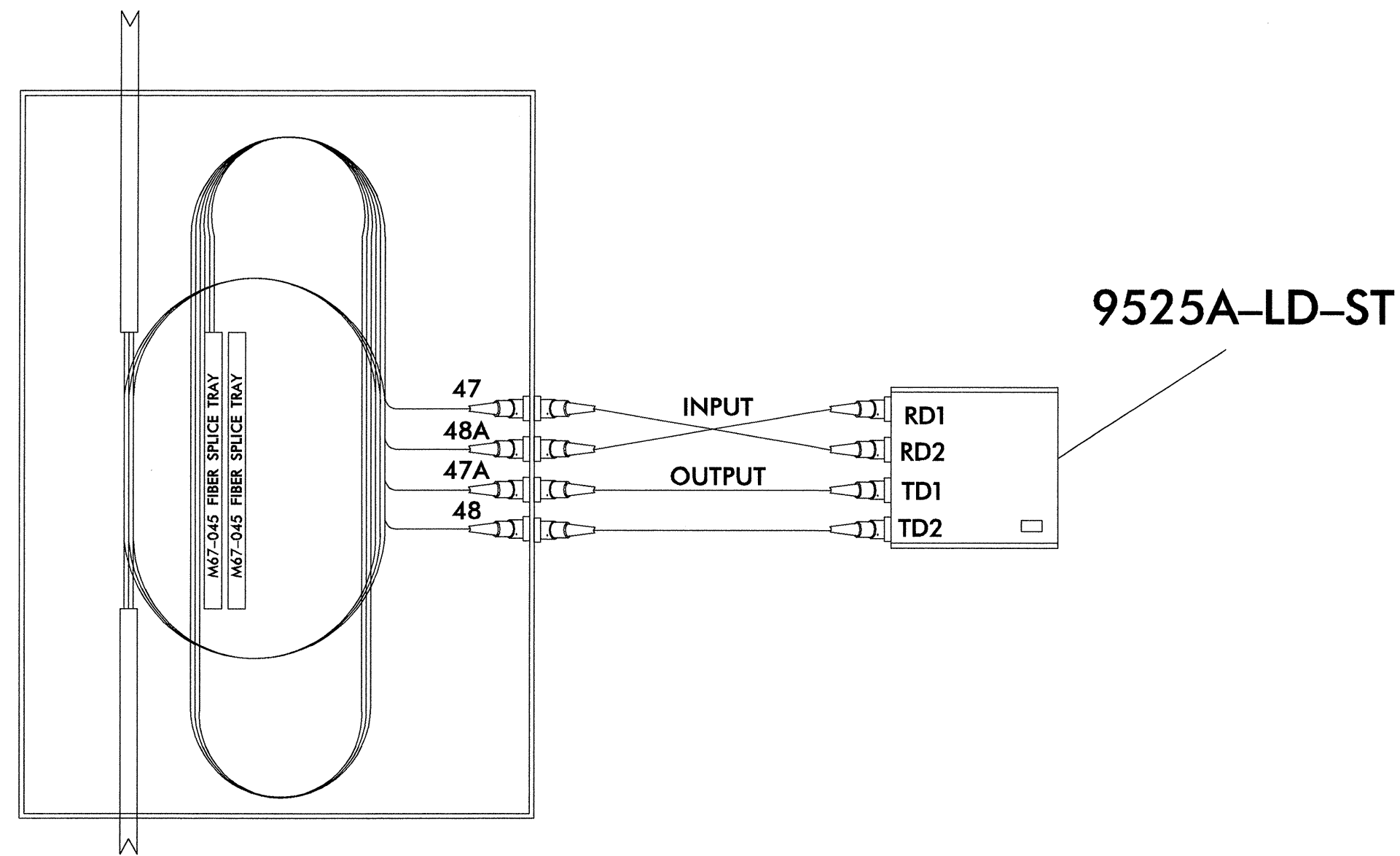


INTERSECTION ID # 712
 SR 1113 (KIVETT DRIVE) AT
 I-85 BUS, US 29-70 SOUTH BOUND RAMP
 (07-1578)

LEGEND
 X = FUSION SPLICE

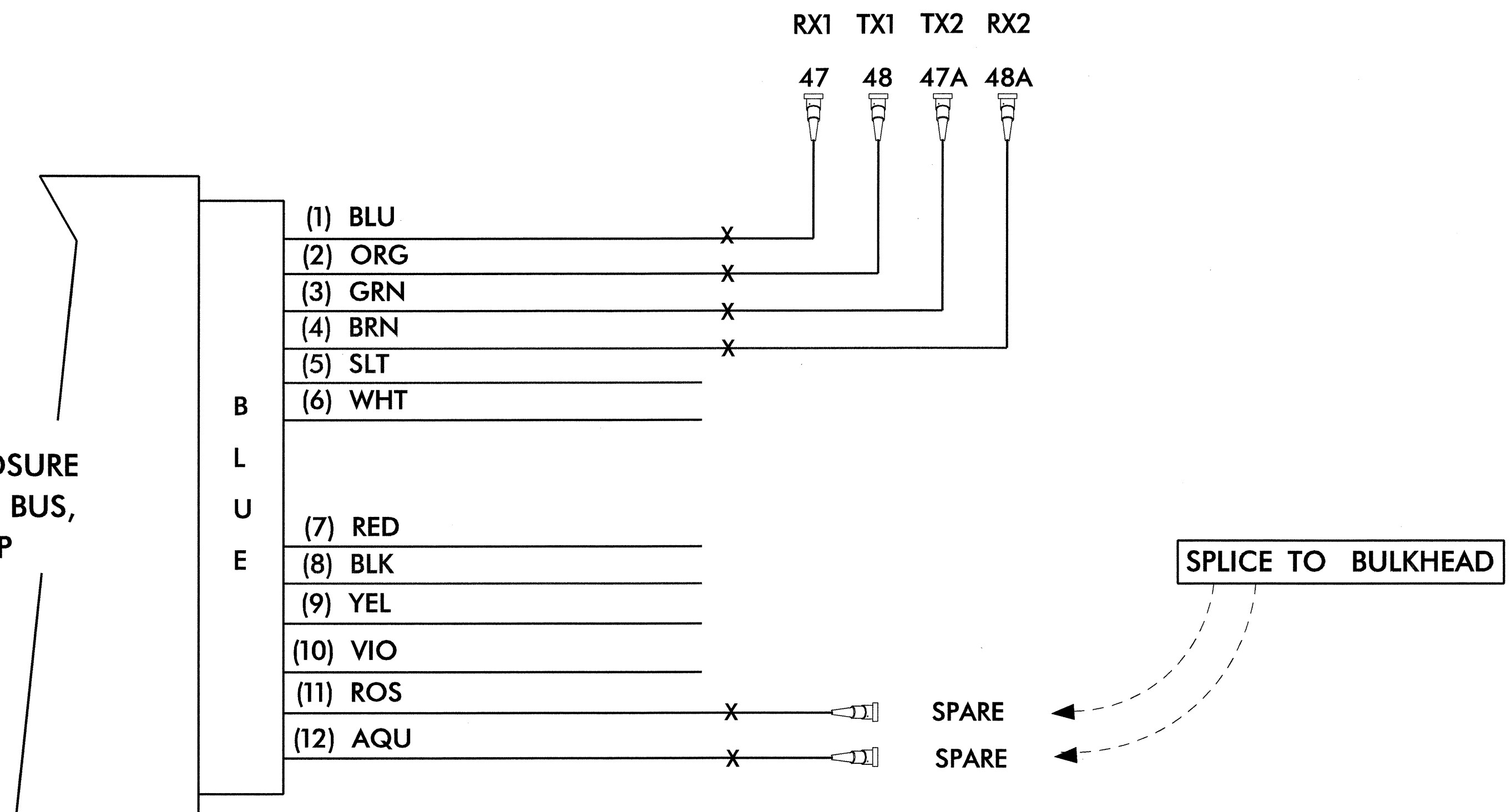
COLOR CODE
 TIA/EIA 598-A

- (1) BLUE
- (2) ORANGE
- (3) GREEN
- (4) BROWN
- (5) SLATE
- (6) WHITE
- (7) RED
- (8) BLACK
- (9) YELLOW
- (10) VIOLET
- (11) ROSE
- (12) AQUA



FURNISH NEW INTERCONNECT CENTER,
 OPTELECOM FIBER-OPTIC MODEM PART
 NUMBER 9525A-LD-ST PS (POWER SUPPLY)
 OR AN APPROVED EQUIVALENT

12 FIBER FROM AERIAL SPLICE ENCLOSURE
 AT SR 1113 (KIVETT DRIVE) AND I-85 BUS,
 US 29-70 SOUTH BOUND RAMP
 (07-1578)
 INTERSECTION I.D. #712



	SPLICE PLAN FIBER OPTIC CABLE SR 1113 (KIVETT DRIVE) AT PENDLETON STREET		
	DIVISION 07 GUILFORD COUNTY HIGH POINT PLAN DATE: 05-15-04 REVIEWED BY: D.W. MORTON PREPARED BY: C.B. HOLDEN PK&M PROJ.# 302-079-SIG6	REVISIONS INIT. DATE _____ _____	
SCALE N/A	SIGNATURE: <i>D.W. Morton</i> DATE: 7-7-04 CADD FILE NAME: SPLICEDETAIL-10.DGN		