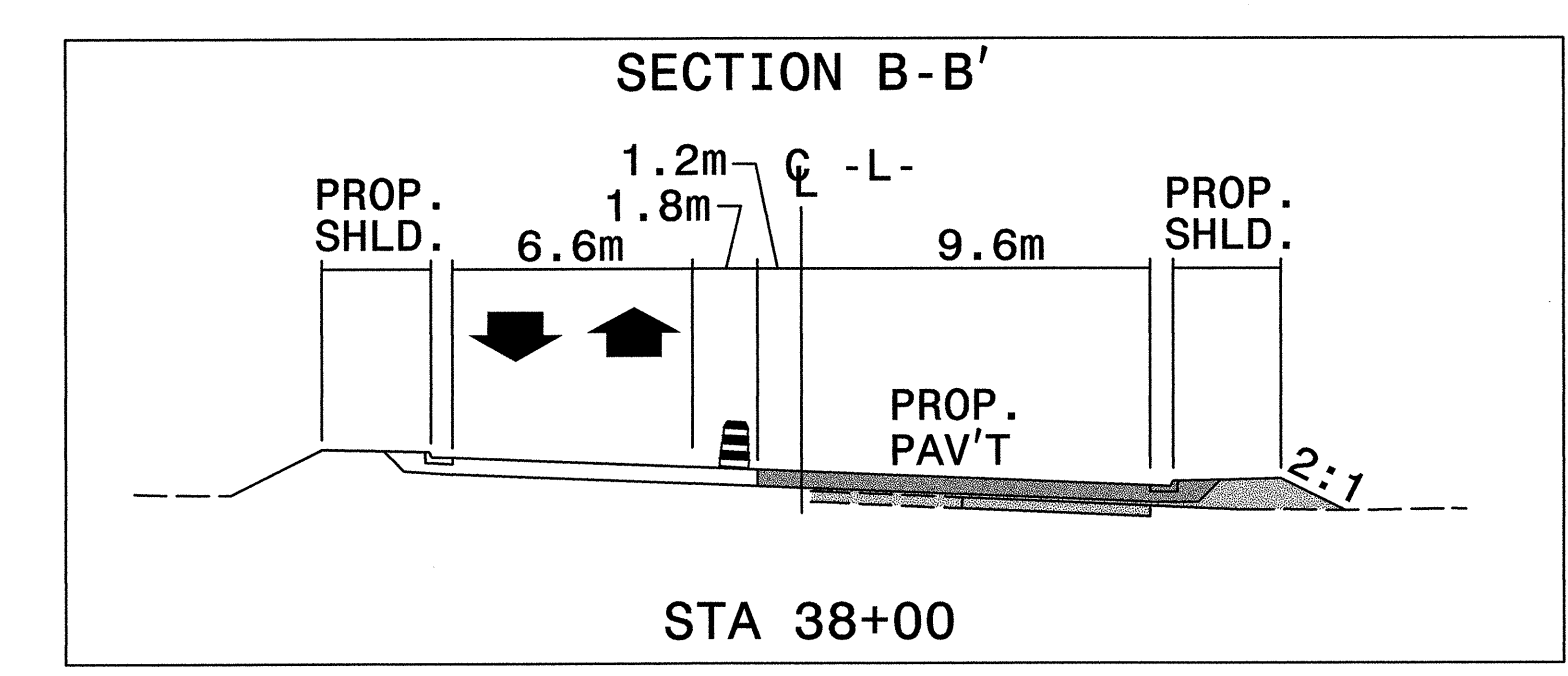
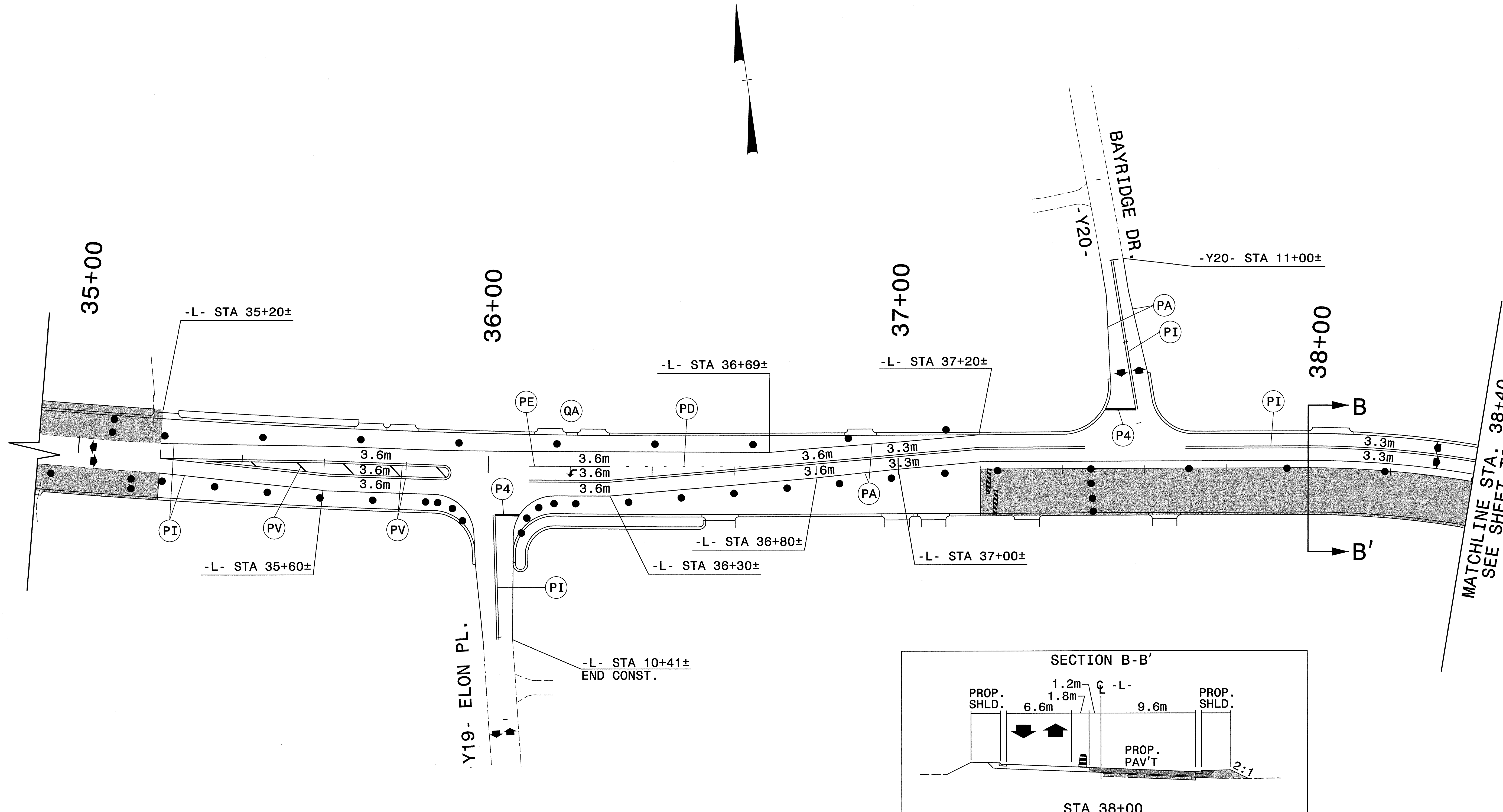


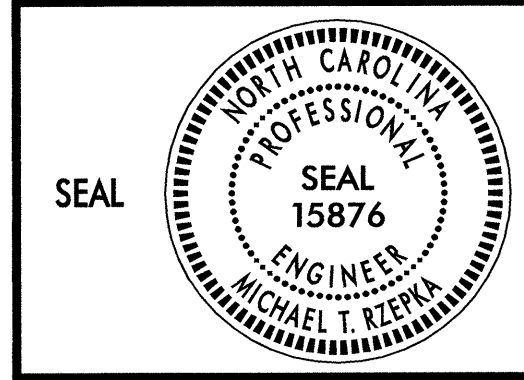


PROJ. REFERENCE NO.	SHEET NO.
U-2717	TCP-26



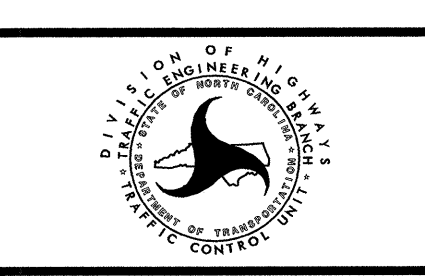
Plans prepared by:
KO & ASSOCIATES, P.C.
 Consulting Engineers
 101 SCHAUB DR., SUITE #202
 RALEIGH, N.C. 27606
 For Division of Highways

APPROVED: *Michael Rzepka* DATE: 6-18-04



PHASE III DETAIL

SCALE: NONE
 DATE: 6-04
 DWG. BY: MTR
 DESIGN BY: MTR
 REVIEWED BY: MSA



REVISIONS	

p:\v\tr\1001\plans\p3\3bwr\cdp
 06/02/2004 11:21:53 AM