

-Y21- STA 10+95±

-L- STA 39+70±

-L- STA 40+04±
END PCB
BEG. ANCH. PCB
0.6m OFFSET

-L- STA 41+05±
END ANCH. PCB
BEG. PCB
0.6m OFFSET

-L- STA 39+40±

-L- STA 38+80±
BEG. PCB
0.6m OFFSET

-L- STA 39+80±
PROPOSED BRIDGE
(STAGE II)

-L- STA 41+60±

LOOP 'C' STA 12+80±

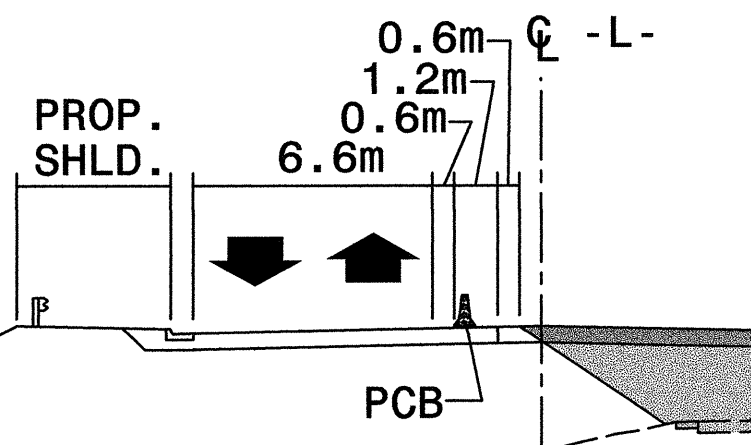
-Y22- STA 14+92±

LOOP 'C' STA 12+20±

RP 'C' STA 13+55±

NOTE: INSTALL/RESET PORTABLE CONCRETE BARRIER ON THIS SHEET IN ACCORDANCE WITH NOTE 'T', SHEET TCP-2

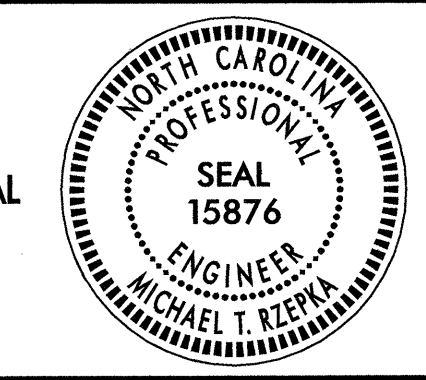
SECTION D-D'



STA 41+20

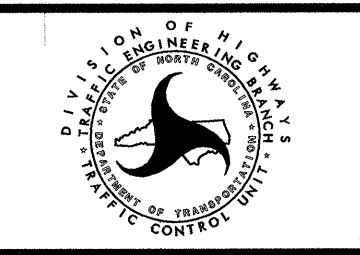
MATCHLINE STA. 14+00
SEE SHEET TCP-29

APPROVED: *Michael T. Rzepka* DATE: 6-18-04

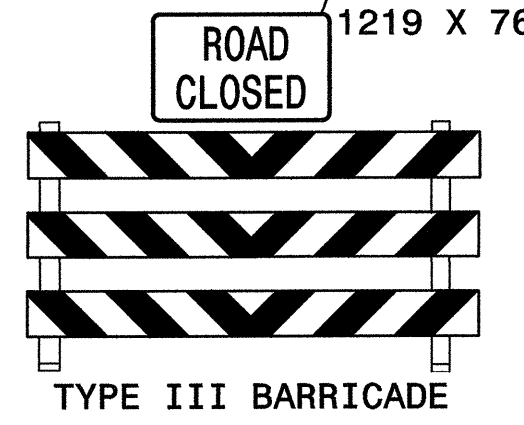


PHASE III DETAIL

SCALE: NONE
DATE: 6-04
DWG. BY: MTR
DESIGN BY: MTR
REVIEWED BY: MSA



| NO. | REVISIONS |
|-----|-----------|
| | |
| | |
| | |



P:\TRAFFIC\U-2717\002\plans\314bwz.dgn 06/09/2004 07:59:28 AM