

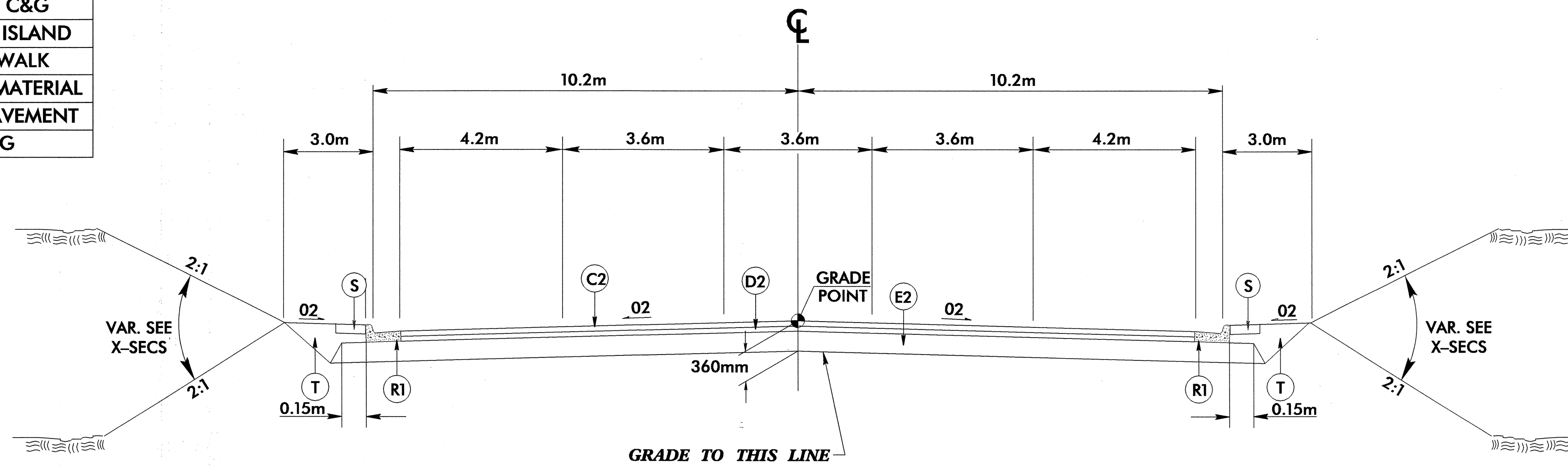
C2	80mm S9.5C
D2	100mm I19.0C
E2	180mm B25.0C
R1	750mm C&G
R3	125mm ISLAND
S	1.5m WALK
T	EARTH MATERIAL
U	EXIST. PAVEMENT
W	WEDGING

METRIC

PROJECT REFERENCE NO.	U-2717	SHEET NO.	2-A
ROADWAY DESIGN ENGINEER		PAVEMENT DESIGN ENGINEER	

Professional Engineer Seal: JAMES SAFARDO, SEAL 14493, NORTH CAROLINA PROFESSIONAL ENGINEER.

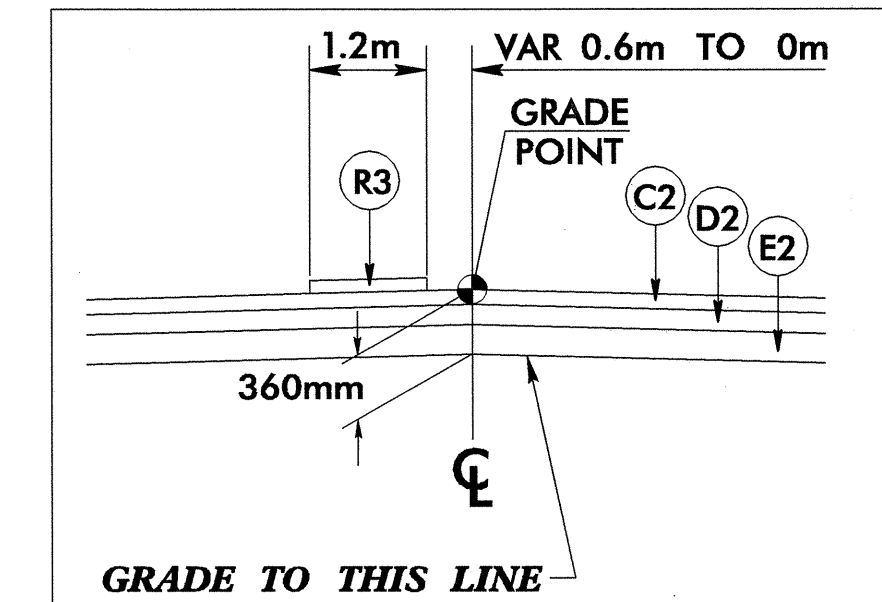
Professional Engineer Seal: CLARK S. MORRISON, SEAL 22896, NORTH CAROLINA PROFESSIONAL ENGINEER.



TYPICAL SECTION NO. 2

USE TYPICAL SECTION NO. 2 AS FOLLOWS:

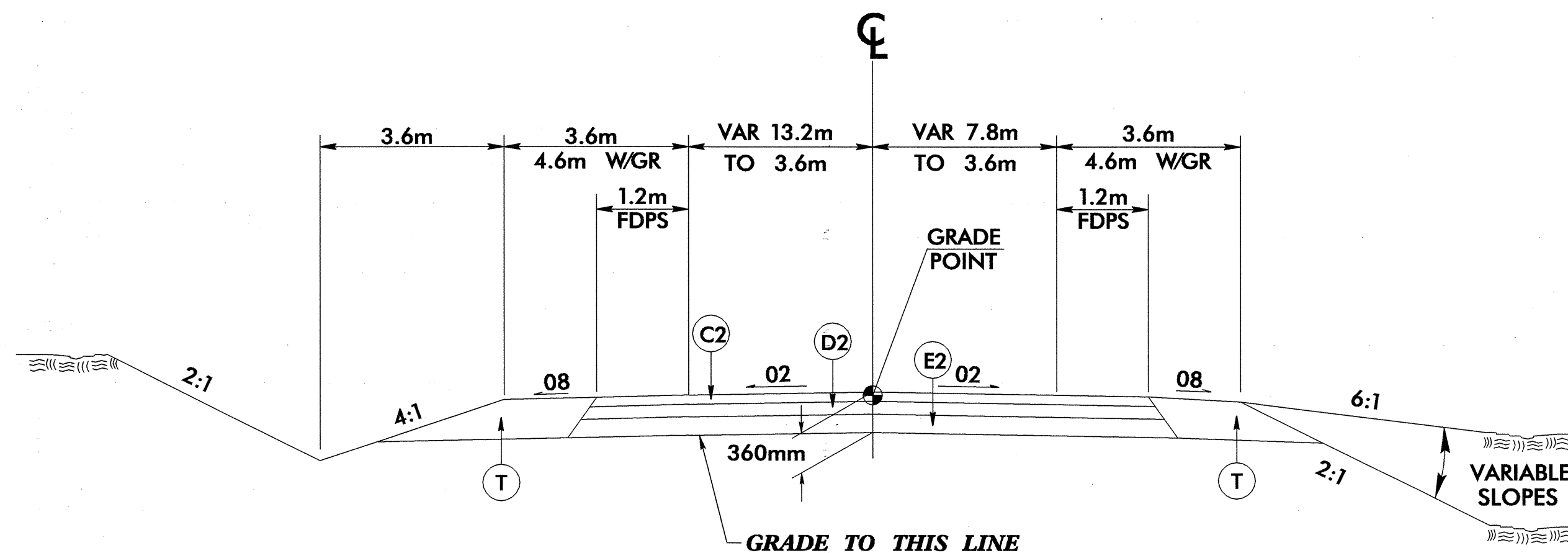
- L- 28+00 +/- TO -L- 29+60.00 +/-
- L- 37+20.000 TO -L- 38+20.000
- L- 39+00.000 +/- TO (Begin Bridge) 40+18.484
- L- 40+97.284 (End Bridge) TO 41+67.423 +/-



TYPICAL SECTION NO. 2A

USE TYPICAL SECTION NO. 2A IN CONJUNCTION WITH TYPICAL NO. 2

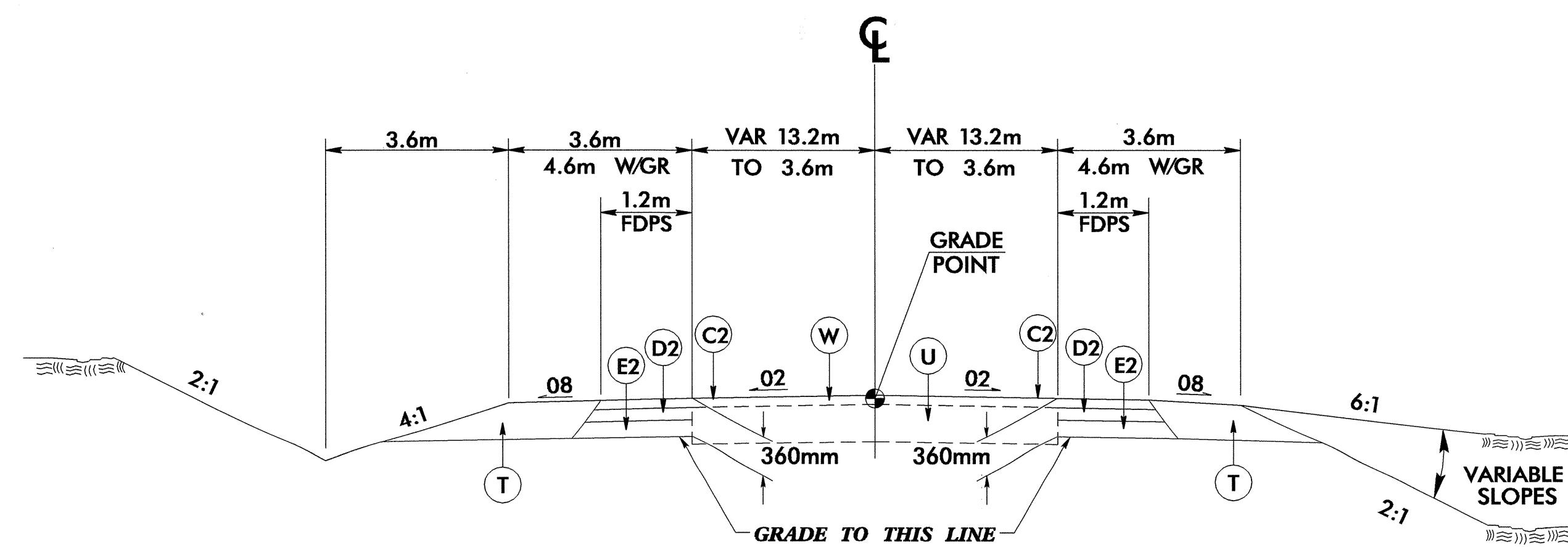
- L- 41+00.290 TO -L- 41+57.761



TYPICAL SECTION NO. 3

USE TYPICAL SECTION NO. 3 AS FOLLOWS:

- L- 41+67.423 TO -L- 42+70.000



TYPICAL SECTION NO. 4

USE TYPICAL SECTION NO. 4 AS FOLLOWS:

- L- 42+70.000 TO -L- 43+86.851