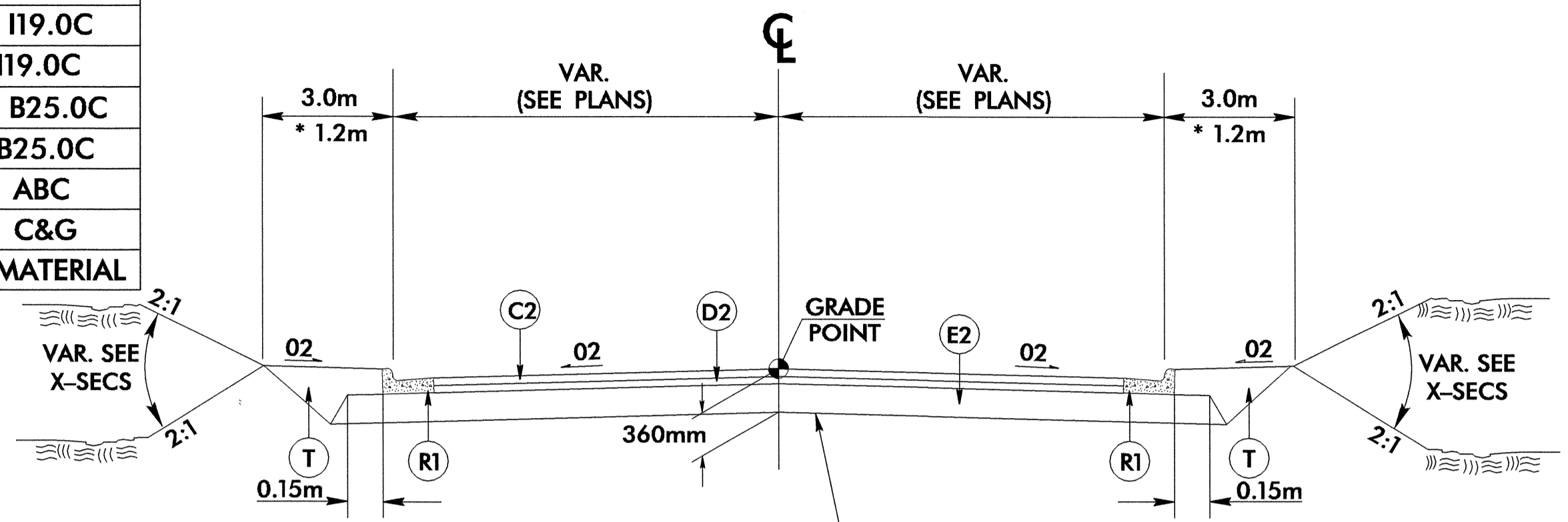


C1	80mm S9.5B
C2	80mm S9.5C
D2	100mm I19.0C
D3	75mm I19.0C
E2	180mm B25.0C
E4	75mm B25.0C
J1	200mm ABC
R1	750mm C&G
T	EARTH MATERIAL

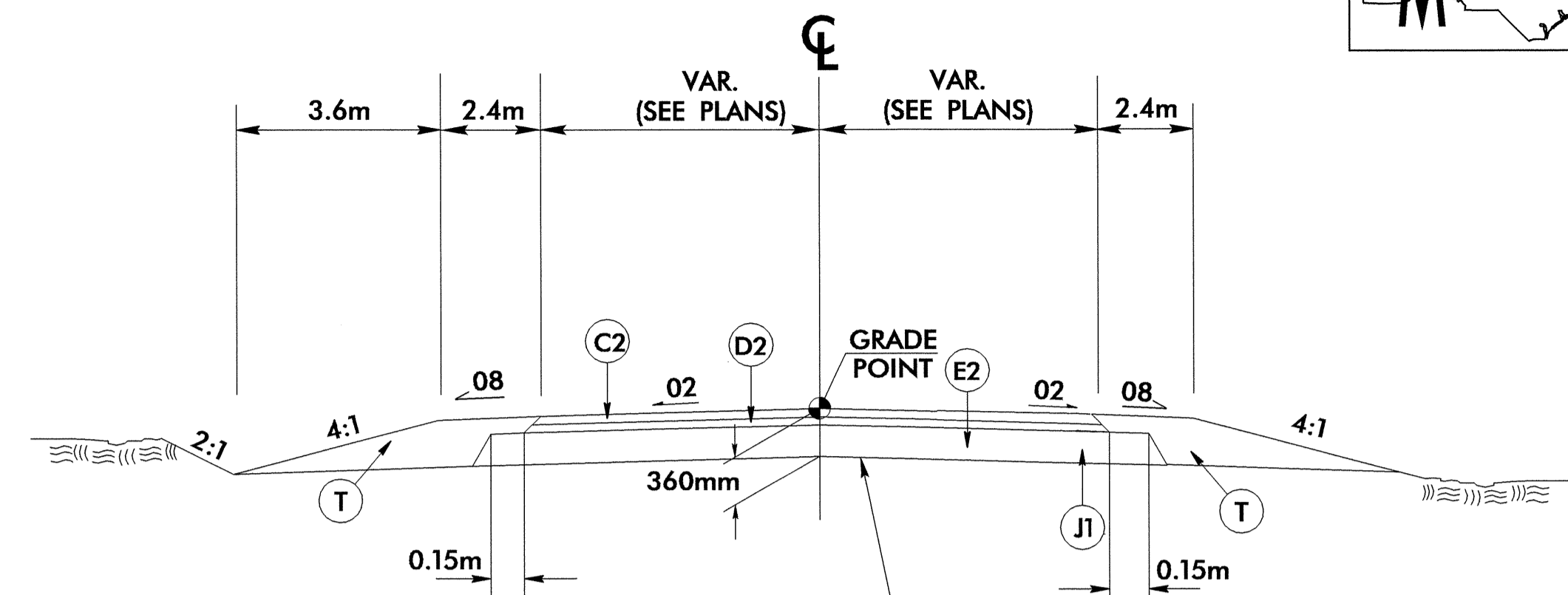


PROJECT REFERENCE NO.	U-2717	SHEET NO.	2-C
ROADWAY DESIGN ENGINEER		PAVEMENT DESIGN ENGINEER	



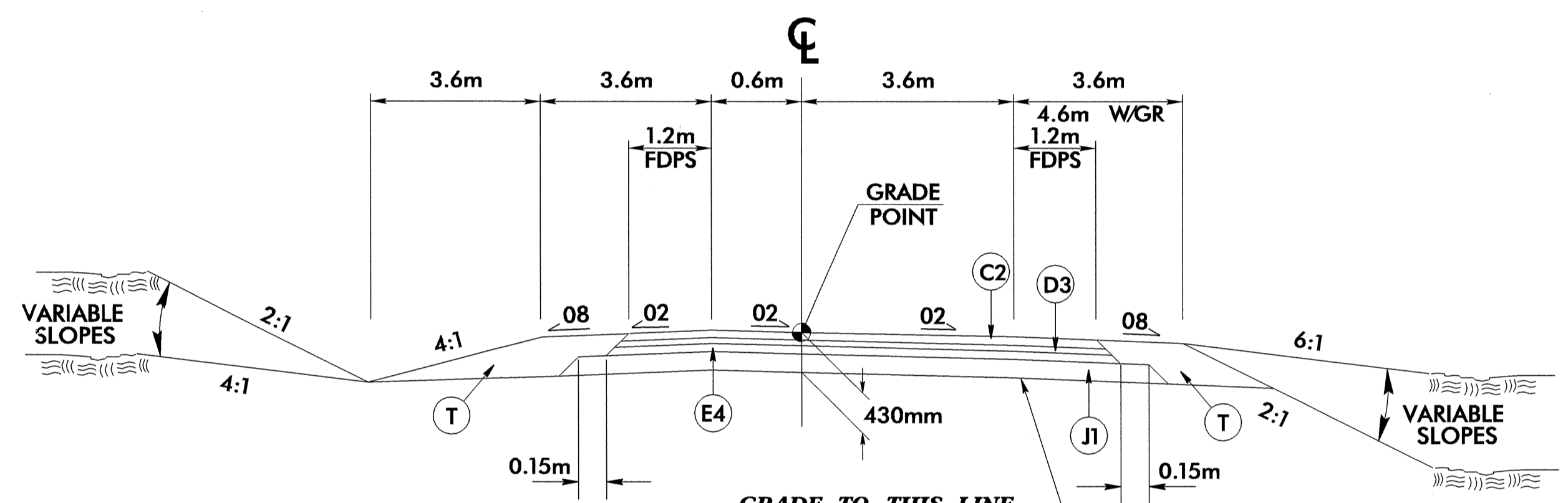
TYPICAL SECTION NO. 7B

USE TYPICAL SECTION NO. 7B AS FOLLOWS:
 * -Y15- 11+04.270 TO 11+54.359
 -Y18- 10+07.082 TO 10+45.000



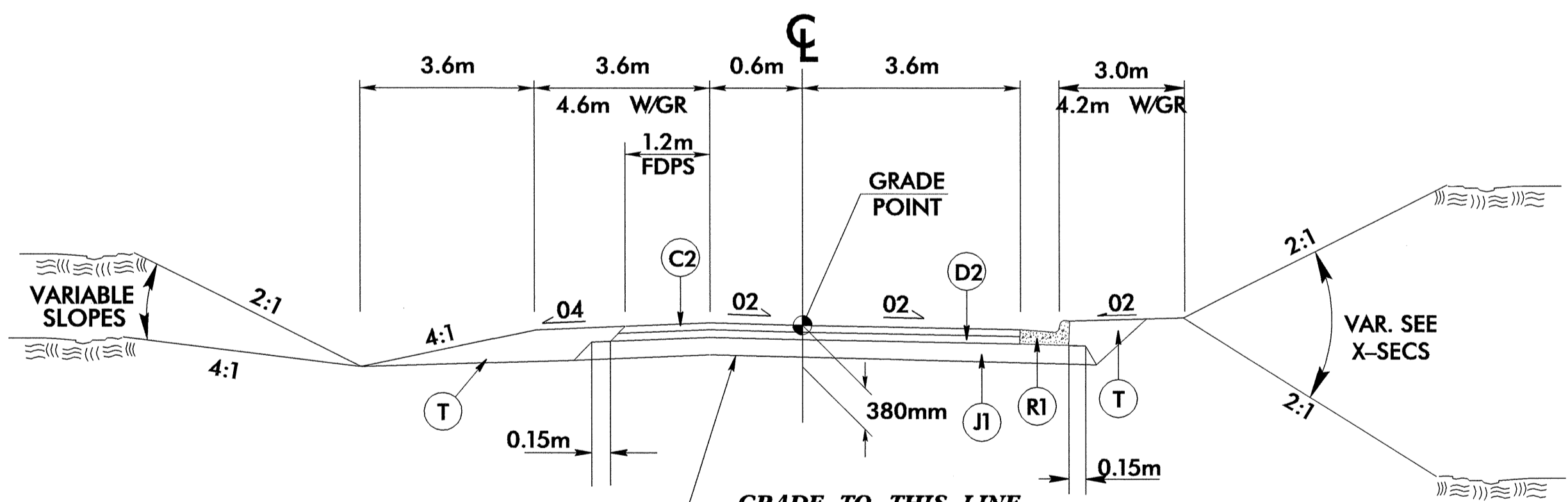
TYPICAL SECTION NO. 7C

USE TYPICAL SECTION NO. 7C AS FOLLOWS:
 -Y13- 11+10.000 TO 11+32.880



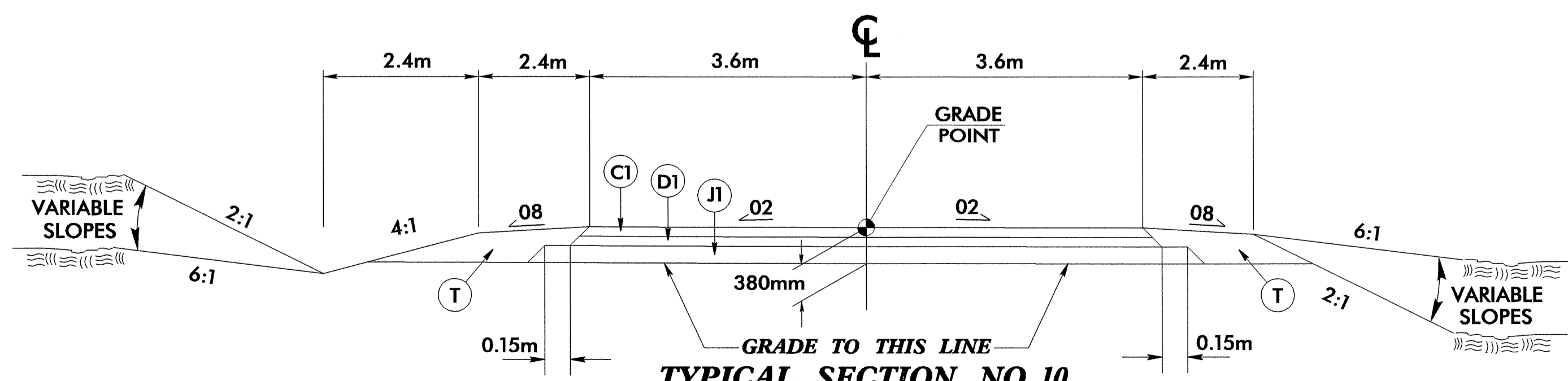
TYPICAL SECTION NO. 8

USE TYPICAL SECTION NO. 8 AS FOLLOWS:
 RAMP 'A' 11+59.727 TO 15+27.440
 RAMP 'B' 11+21.164 TO 12+77.890
 RAMP 'C' 10+93.071 TO 14+34.870
 RAMP 'D' 10+71.386 TO 12+86.725



TYPICAL SECTION NO. 9

USE TYPICAL SECTION NO. 9 AS FOLLOWS:
 LOOP 'C' 10+51.060 TO 13+44.560



TYPICAL SECTION NO. 10

USE TYPICAL SECTION NO. 10 AS FOLLOWS:
 -Y23- 10+17.029 TO 12+10+/-

10-AUG-2004 08:45 NUG717.tsp BWedeking AT RD198238