



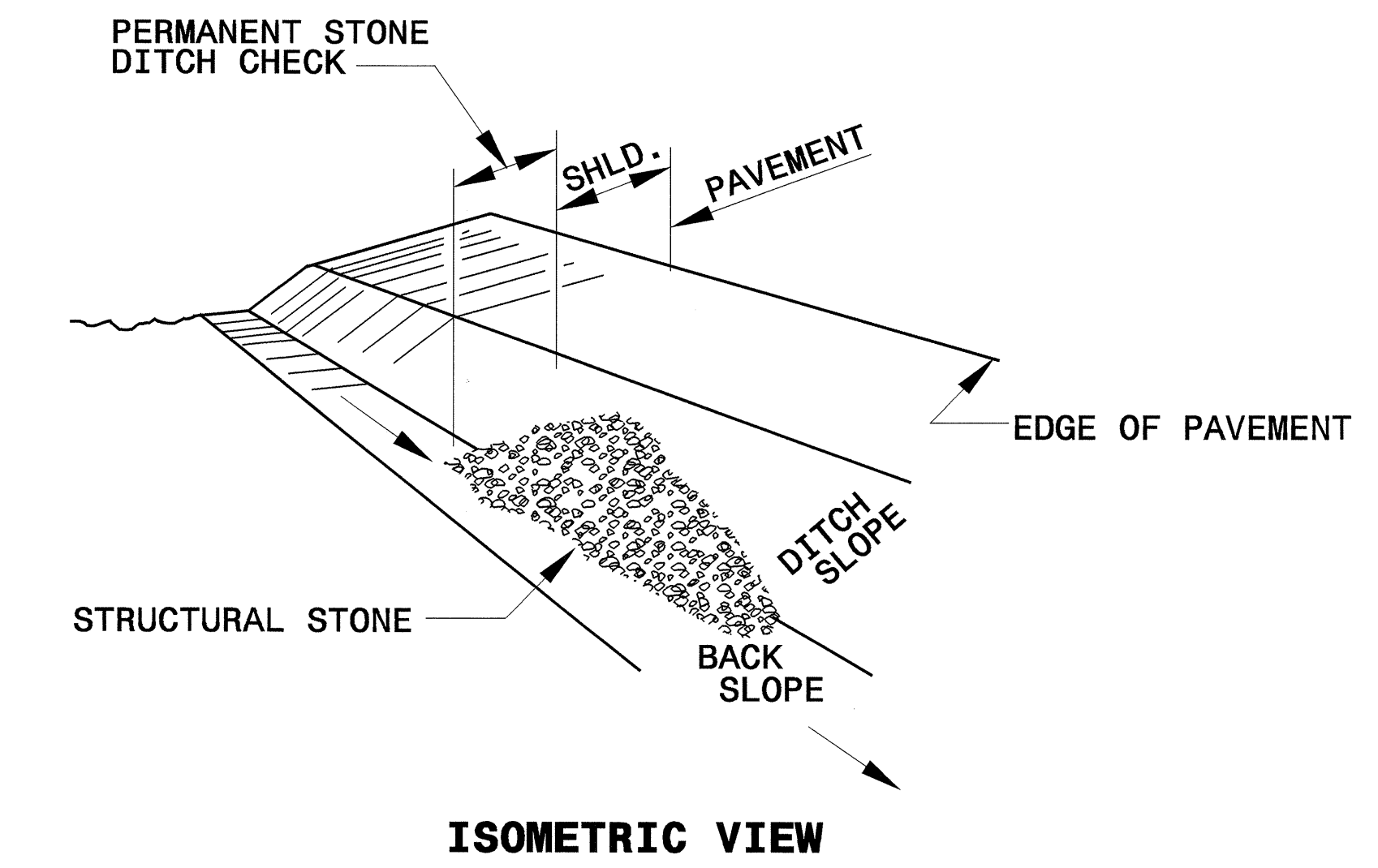
STATE OF NORTH CAROLINA
DEPT. OF TRANSPORTATION
DIVISION OF HIGHWAYS
RALEIGH, N.C.

1-02

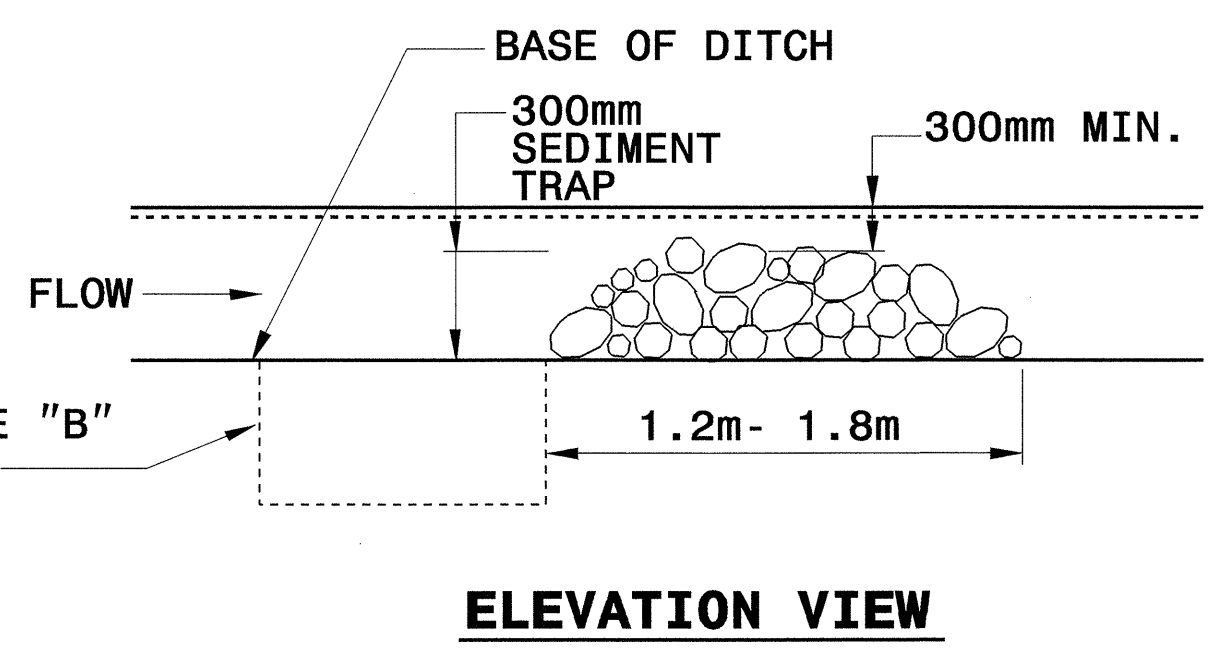
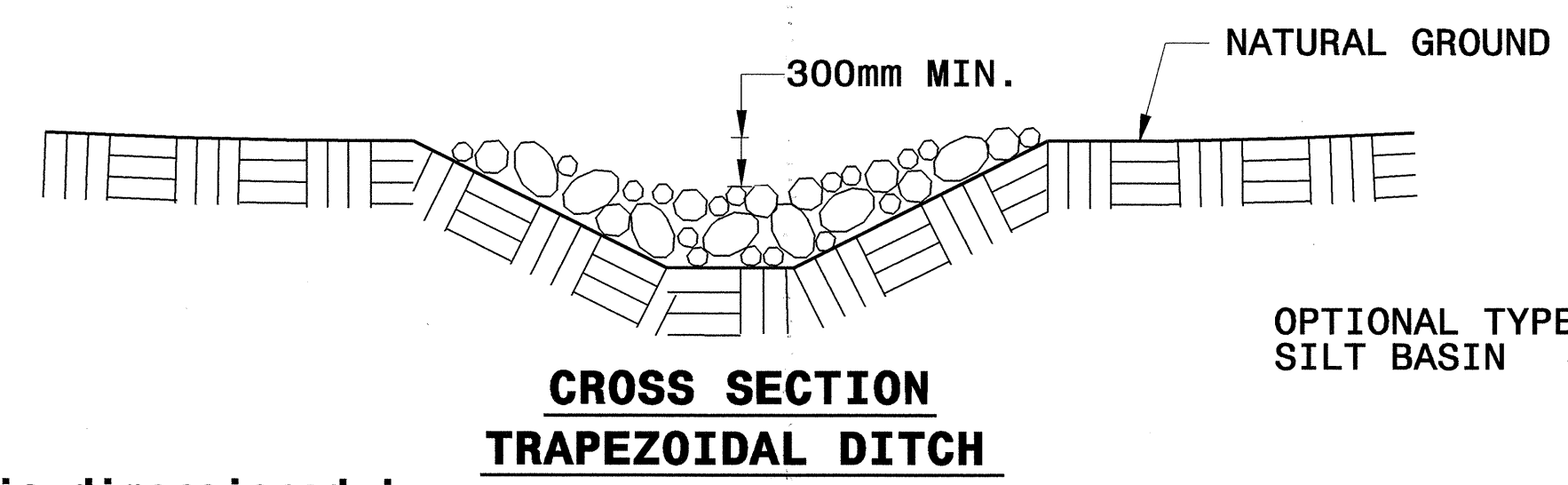
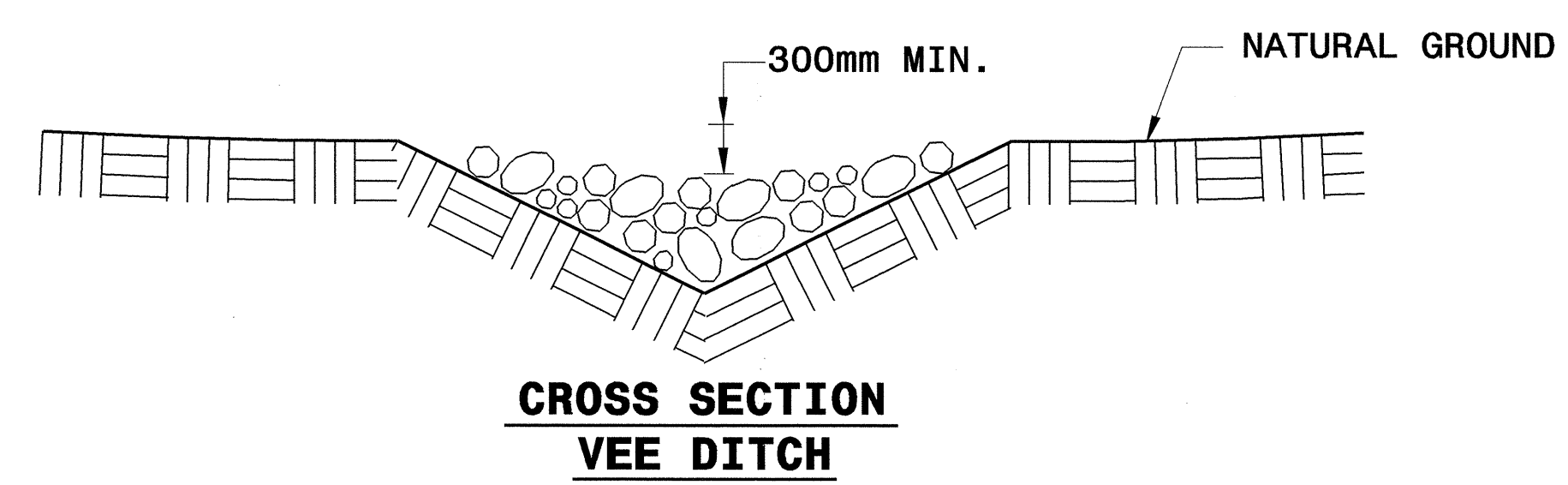
METRIC STANDARD DRAWING FOR
PERMANENT ROCK SILT CHECK TYPE 'B'

SHEET 1 OF 1
1633D02

Note:
This drawing is dimensioned in millimeters unless otherwise depicted within the drawing.



NOTES:
USE CLASS "B" STONE FOR STRUCTURAL STONE FOR EROSION CONTROL AND PAY FOR AT THE CONTRACT UNIT PRICE PER TON 'STONE FOR EROSION CONTROL CLASS "B"'.
THE ENGINEER MAY DIRECT THE OPTION OF CLASS "A" STONE FOR SITES HAVING LESS THAN ONE (1) ACRE DRAINAGE AREA AND A DITCH GRADE LESS THAN 3%. PAY FOR AT UNIT PRICE PER TON 'STONE FOR EROSION CONTROL CLASS "A"'.
SHEET 1 OF 1

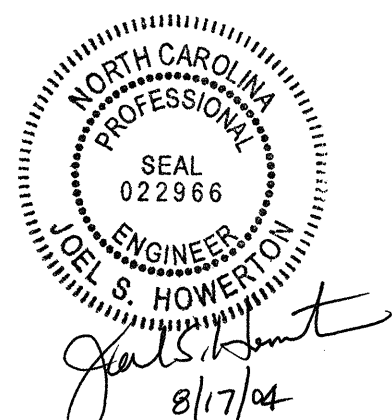


STATE OF NORTH CAROLINA
DEPT. OF TRANSPORTATION
DIVISION OF HIGHWAYS
RALEIGH, N.C.

1-02

METRIC STANDARD DRAWING FOR
PERMANENT ROCK SILT CHECK TYPE 'B'

SHEET 1 OF 1
1633D02



DESIGN SERVICES UNIT
STANDARDS AND SPECIAL DESIGN
Office 919-250-4128 FAX 919-250-4119

DETAIL OF PERMANENT
ROCK SILT CHECK "TYPE B"

ORIGINAL BY: nbritt DATE: 2-23-2004
MODIFIED BY: [Signature] DATE: 8/17
CHECKED BY: [Signature] DATE: 8/17
FILE SPEC: .nb\dt\details\metric\us119bpolycra\ndetail.dgn