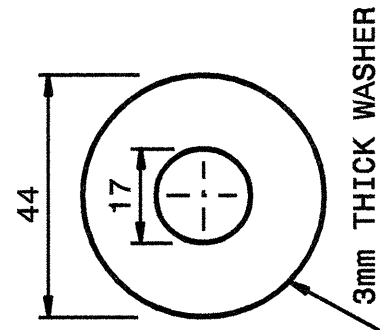
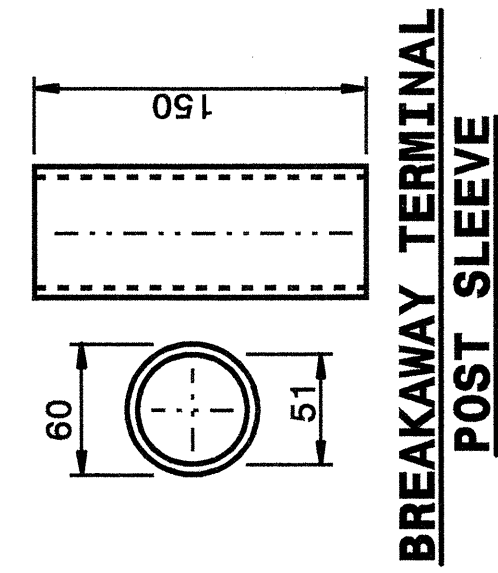


20 MAY 2003 07:54 \\erincward\stds\02\stds to Special Details\metric\862202\0862d02m.dgn
 tspelel 01 05196510

STATE OF
 NORTH CAROLINA
 DEPT. OF TRANSPORTATION
 DIVISION OF HIGHWAYS
 RALEIGH, N.C.

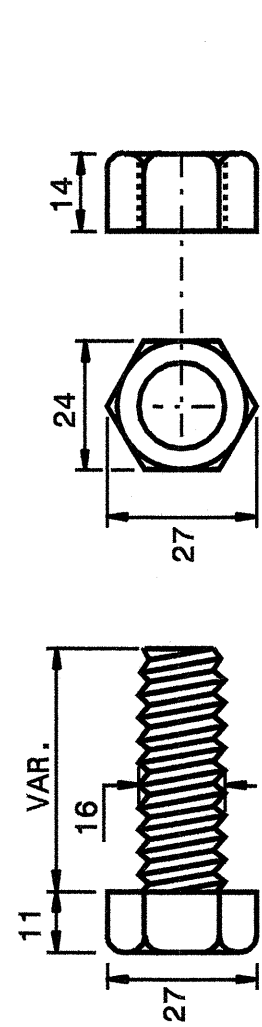
METRIC DETAIL DRAWING FOR
GUARDRAIL INSTALLATION

SHEET 5 OF 7
862D02

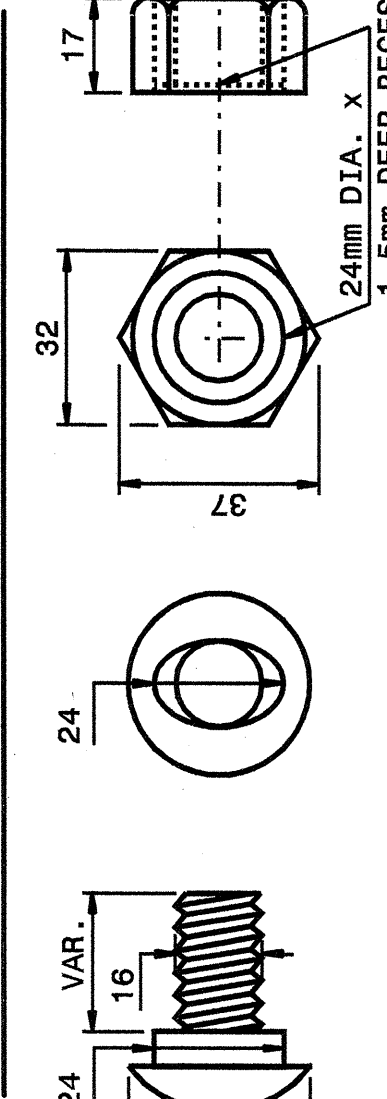


DETAIL OF STANDARD WASHER

STANDARD WASHER: TYPICAL USE UNDER NUT WITH WOOD POST



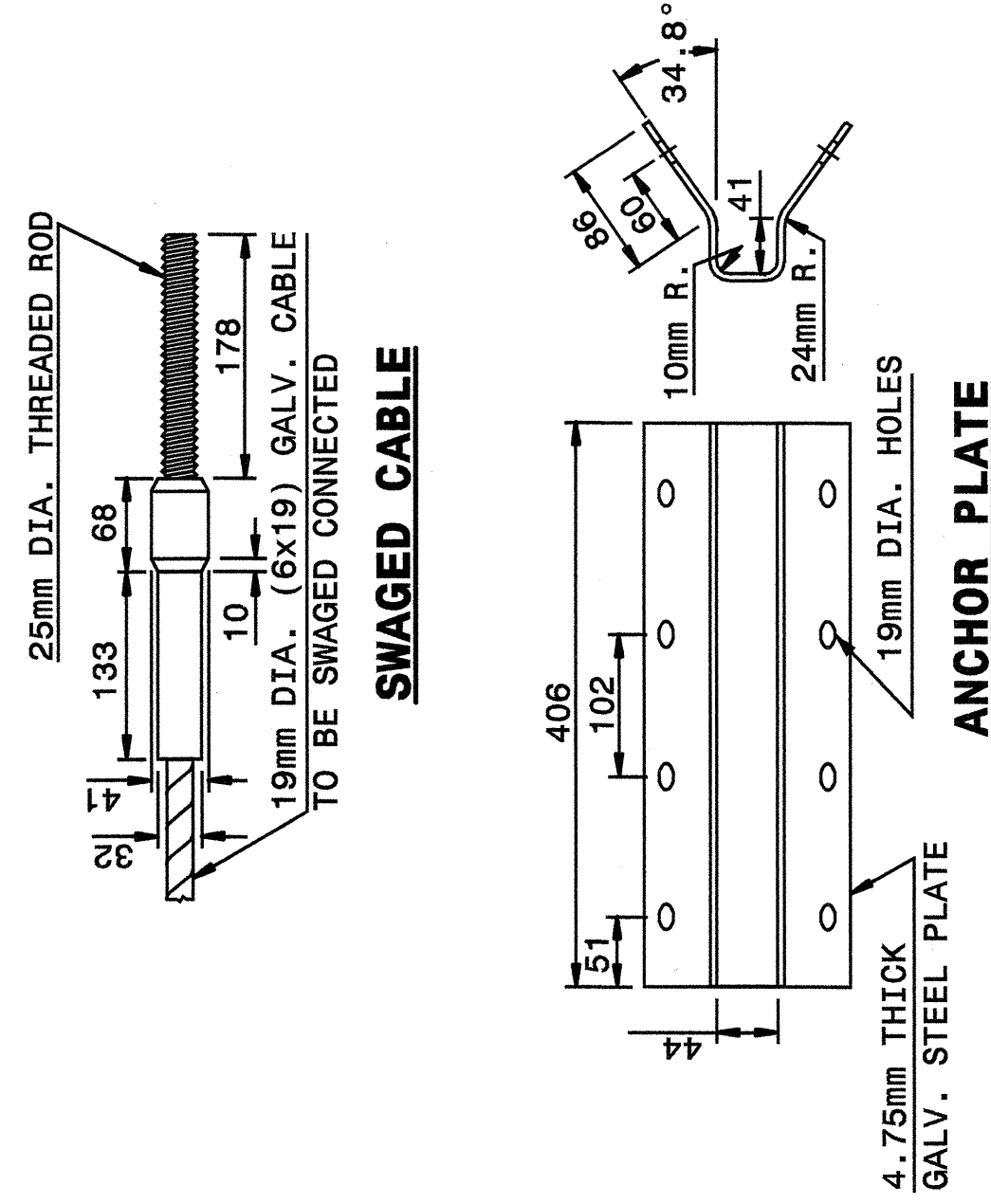
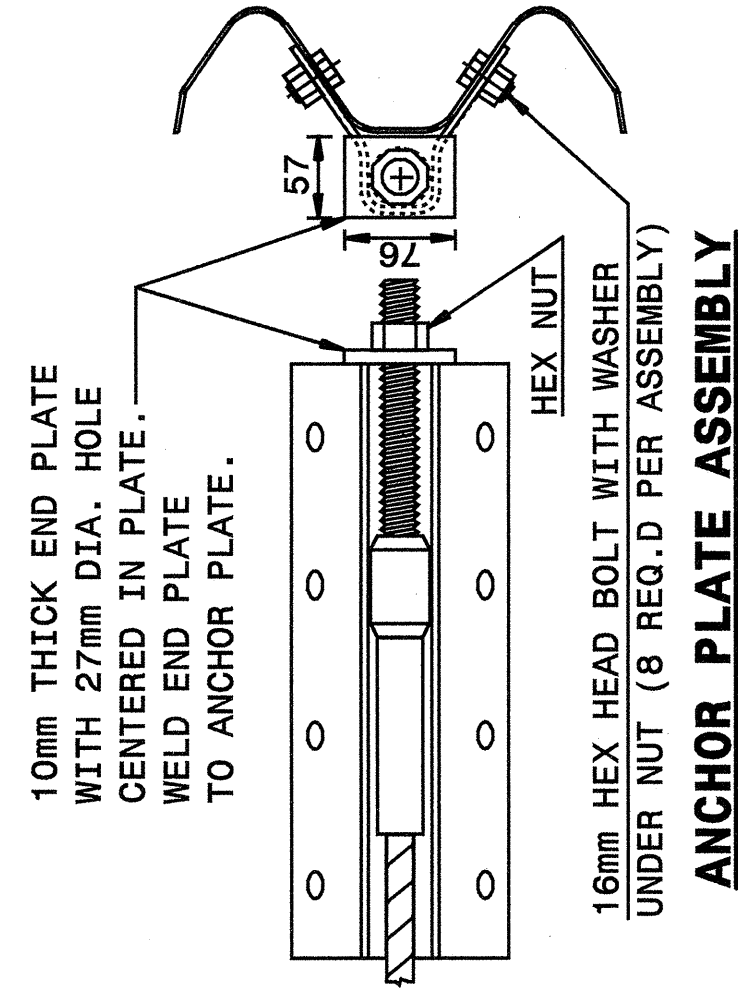
DETAIL OF STANDARD HEX BOLT AND NUT



DETAIL OF BUTTON HEAD BOLT AND NUT

24mm DIA. X 1.5mm DEEP RECESS

Note: This drawing is dimensioned in millimeters unless otherwise depicted within the drawing.



SYSTEM PARTS

SHEET 5 OF 7
862D02

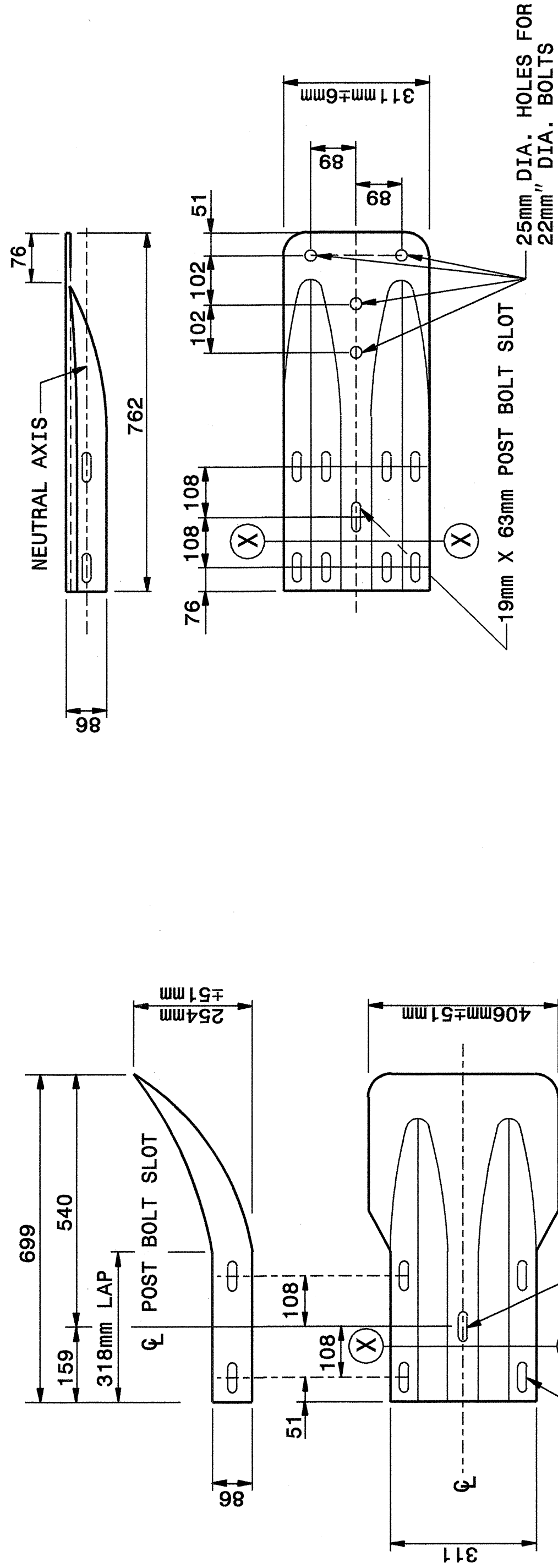
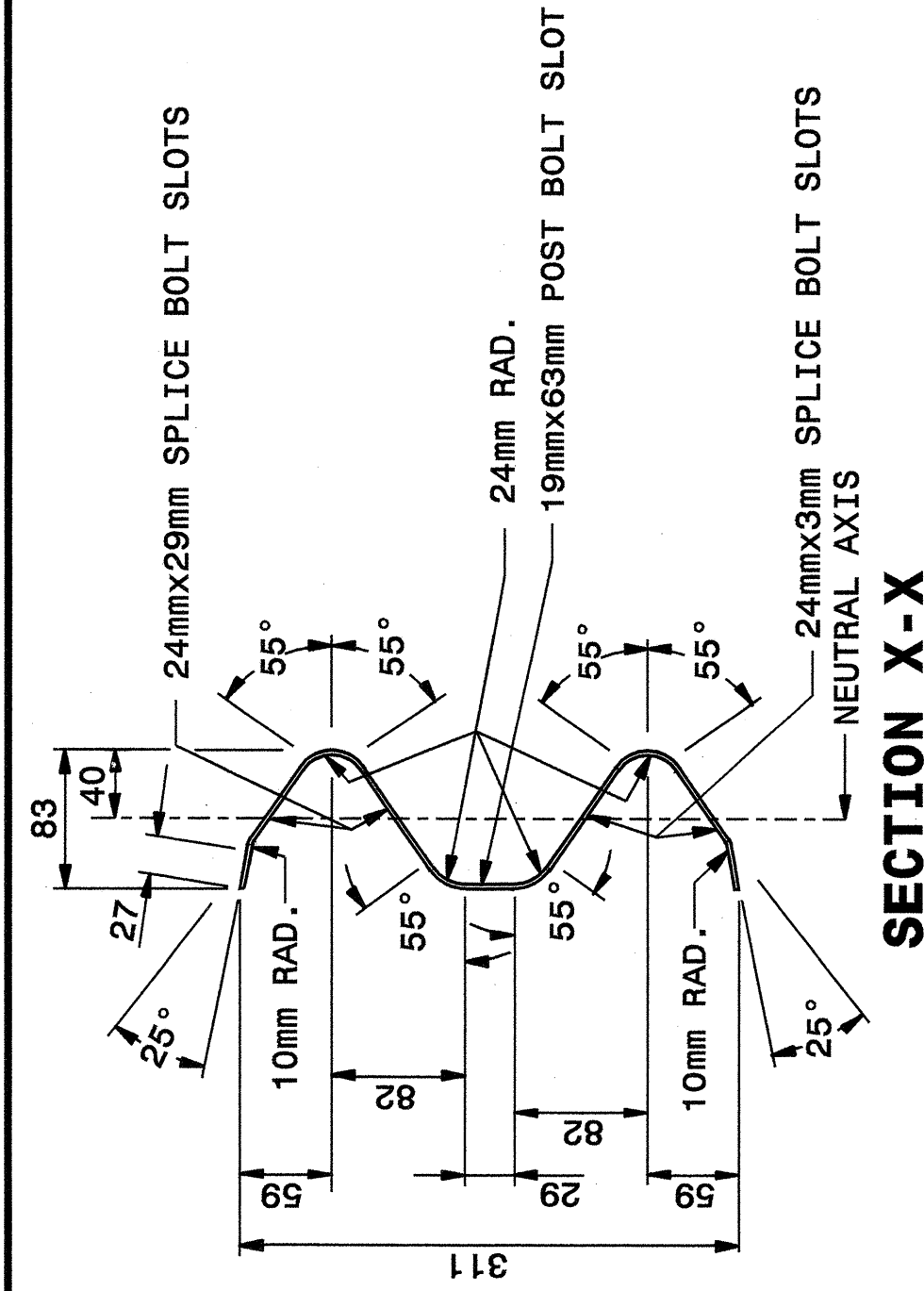
STATE OF
 NORTH CAROLINA
 DEPT. OF TRANSPORTATION
 DIVISION OF HIGHWAYS
 RALEIGH, N.C.

METRIC DETAIL DRAWING FOR
GUARDRAIL INSTALLATION

STATE OF
 NORTH CAROLINA
 DEPT. OF TRANSPORTATION
 DIVISION OF HIGHWAYS
 RALEIGH, N.C.

METRIC DETAIL DRAWING FOR
GUARDRAIL INSTALLATION

SHEET 6 OF 7
862D02



Note: This drawing is dimensioned in millimeters unless otherwise depicted within the drawing.

SYSTEM PARTS - GENERAL USE

SHEET 6 OF 7
862D02

STATE OF
 NORTH CAROLINA
 DEPT. OF TRANSPORTATION
 DIVISION OF HIGHWAYS
 RALEIGH, N.C.

METRIC DETAIL DRAWING FOR
GUARDRAIL INSTALLATION

DESIGN SERVICES UNIT
 STANDARDS AND SPECIAL DESIGN
 Office 919-250-4128 FAX 919-250-4119

SEE PLATE FOR TITLE

ORIGINAL BY: 2002 STD.862.02 DATE: _____
 MODIFIED BY: E.E. WARD DATE: 02-09-03
 CHECKED BY: J.S. HOWER DATE: 5-03
 FILE SPEC.: /usr/stds/02todet2/metric/86202/862d02m.dgn

