

05-SEP-2002 14:02  
 W:\SpecialDetail\erickson\dstds\02\stds to Special Details\metric\85701\857d01m.dgn  
 erickson AT D5188660

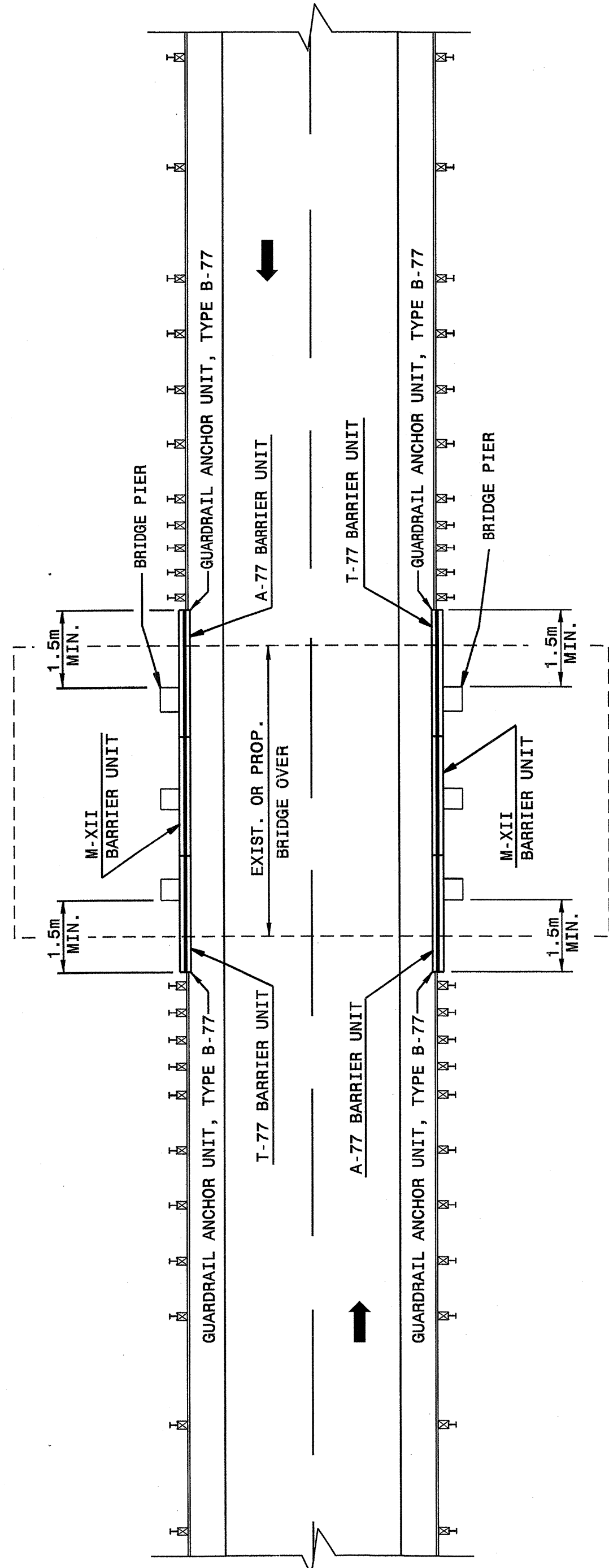


STATE OF NORTH CAROLINA  
 DEPT. OF TRANSPORTATION  
 DIVISION OF HIGHWAYS  
 RALEIGH, N.C.

METRIC DETAIL DRAWING FOR  
 PRECAST REINFORCED CONCRETE BARRIER  
 1.0m SINGLE FACED

SHEET 1 OF 8  
**857D01**

NOTE:  
 1) THIS DRAWING IS NOT INTENDED TO SHOW TYPICAL BARRIER AND GUARDRAIL INSTALLATION. IT DETAILS POSSIBLE BARRIER AND STRUCTURE ANCHOR COMBINATIONS FOR THIS TYPE FACILITY.  
 2) USE TRAILING END GUARDRAIL IF WARRANTED



**GUARDRAIL AND BARRIER AT UNDIVIDED  
 HIGHWAY BRIDGE UNDERPASS**

Note:  
 This drawing is dimensioned in millimeters unless otherwise depicted within the drawing.

STATE OF NORTH CAROLINA  
 DEPT. OF TRANSPORTATION  
 DIVISION OF HIGHWAYS  
 RALEIGH, N.C.

METRIC DETAIL DRAWING FOR  
**PRECAST REINFORCED CONCRETE BARRIER**  
 1.0m SINGLE FACED

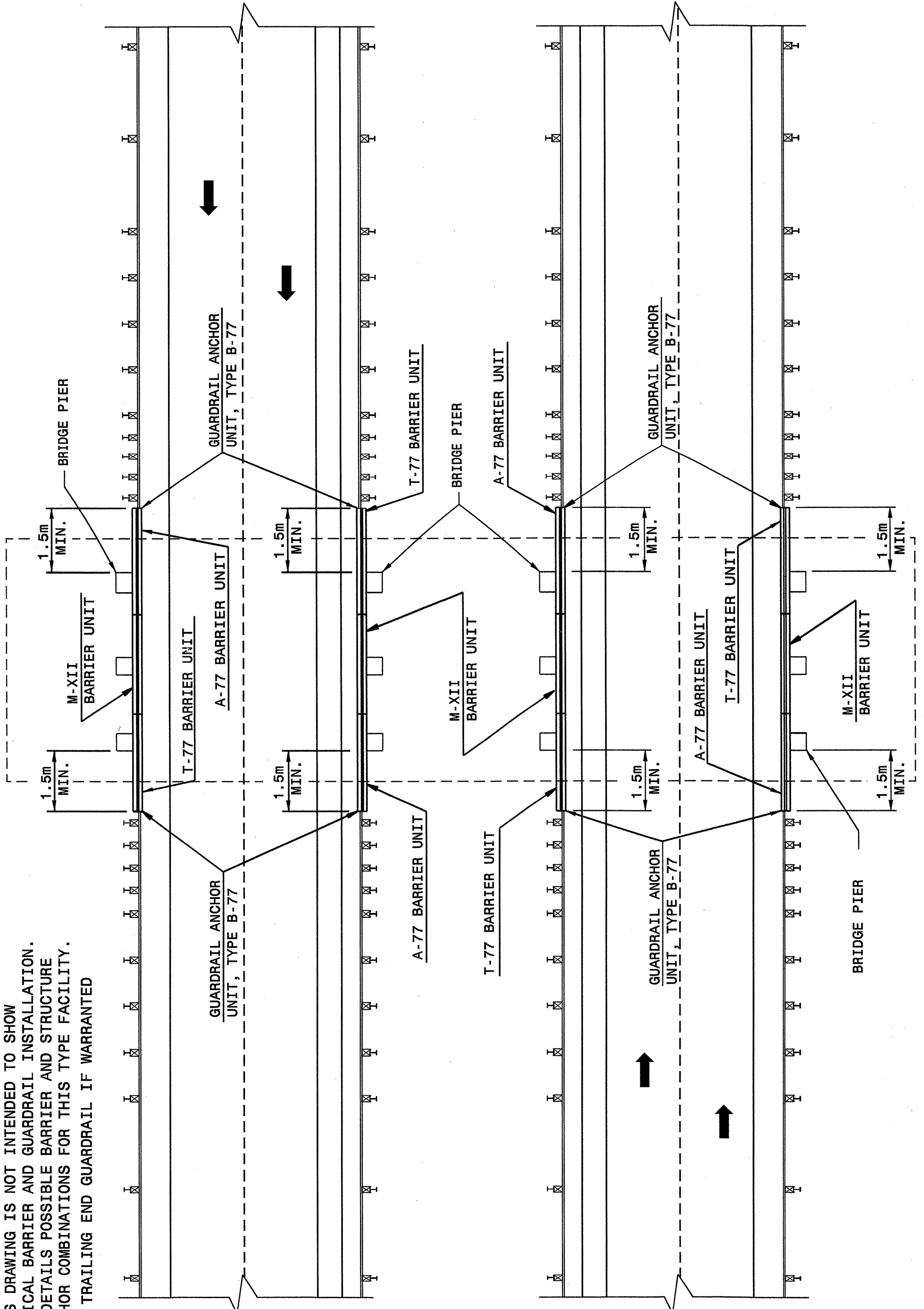
SHEET 1 OF 8  
**857D01**

STATE OF NORTH CAROLINA  
 DEPT. OF TRANSPORTATION  
 DIVISION OF HIGHWAYS  
 RALEIGH, N.C.

METRIC DETAIL DRAWING FOR  
 PRECAST REINFORCED CONCRETE BARRIER  
 1.0m SINGLE FACED

SHEET 2 OF 8  
**857D01**

NOTE:  
 1) THIS DRAWING IS NOT INTENDED TO SHOW TYPICAL BARRIER AND GUARDRAIL INSTALLATION. IT DETAILS POSSIBLE BARRIER AND STRUCTURE ANCHOR COMBINATIONS FOR THIS TYPE FACILITY.  
 2) USE TRAILING END GUARDRAIL IF WARRANTED



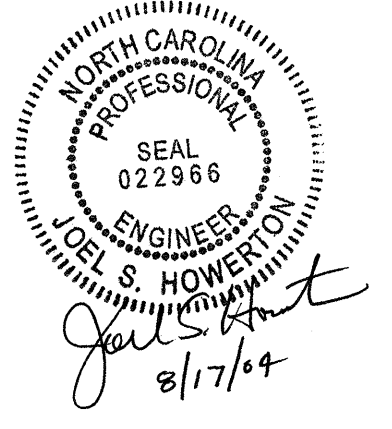
**GUARDRAIL AND BARRIER AT DIVIDED  
 HIGHWAY BRIDGE UNDERPASS**

Note:  
 This drawing is dimensioned in millimeters unless otherwise depicted within the drawing.

STATE OF NORTH CAROLINA  
 DEPT. OF TRANSPORTATION  
 DIVISION OF HIGHWAYS  
 RALEIGH, N.C.

METRIC DETAIL DRAWING FOR  
**PRECAST REINFORCED CONCRETE BARRIER**  
 1.0m SINGLE FACED

SHEET 2 OF 8  
**857D01**



DESIGN SERVICES UNIT  
 STANDARDS AND SPECIAL DESIGN  
 Office 919-250-4128 FAX 919-250-4119

**SEE PLATE FOR TITLE**

ORIGINAL BY: 2002 STD.857.01 DATE:  
 MODIFIED BY: E.E. WARD DATE: 7-11-02  
 CHECKED BY: *E.E. Ward* DATE:  
 FILE SPEC.: /usr/stds/02detail/metric/85701/857d01m.dgn