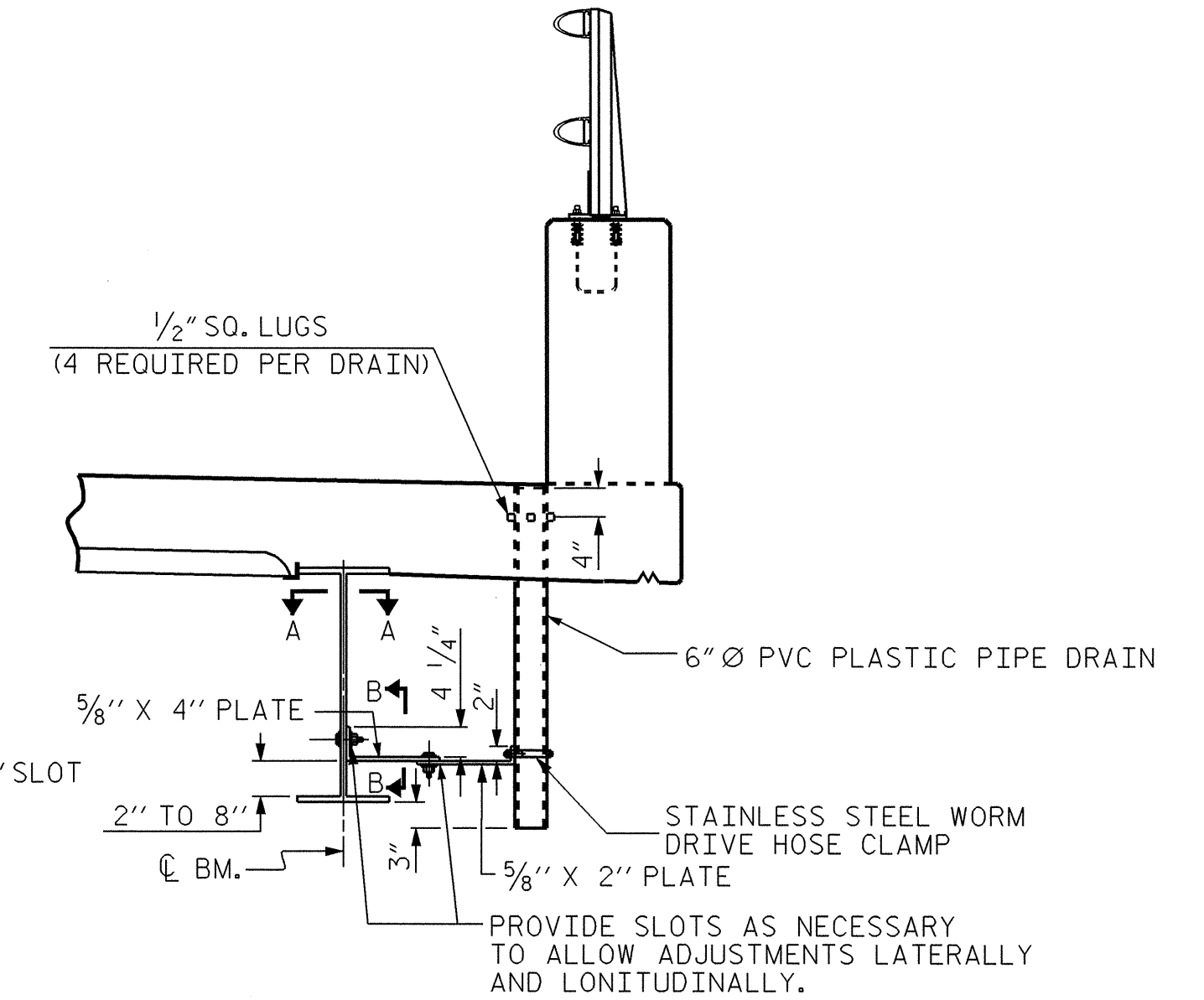


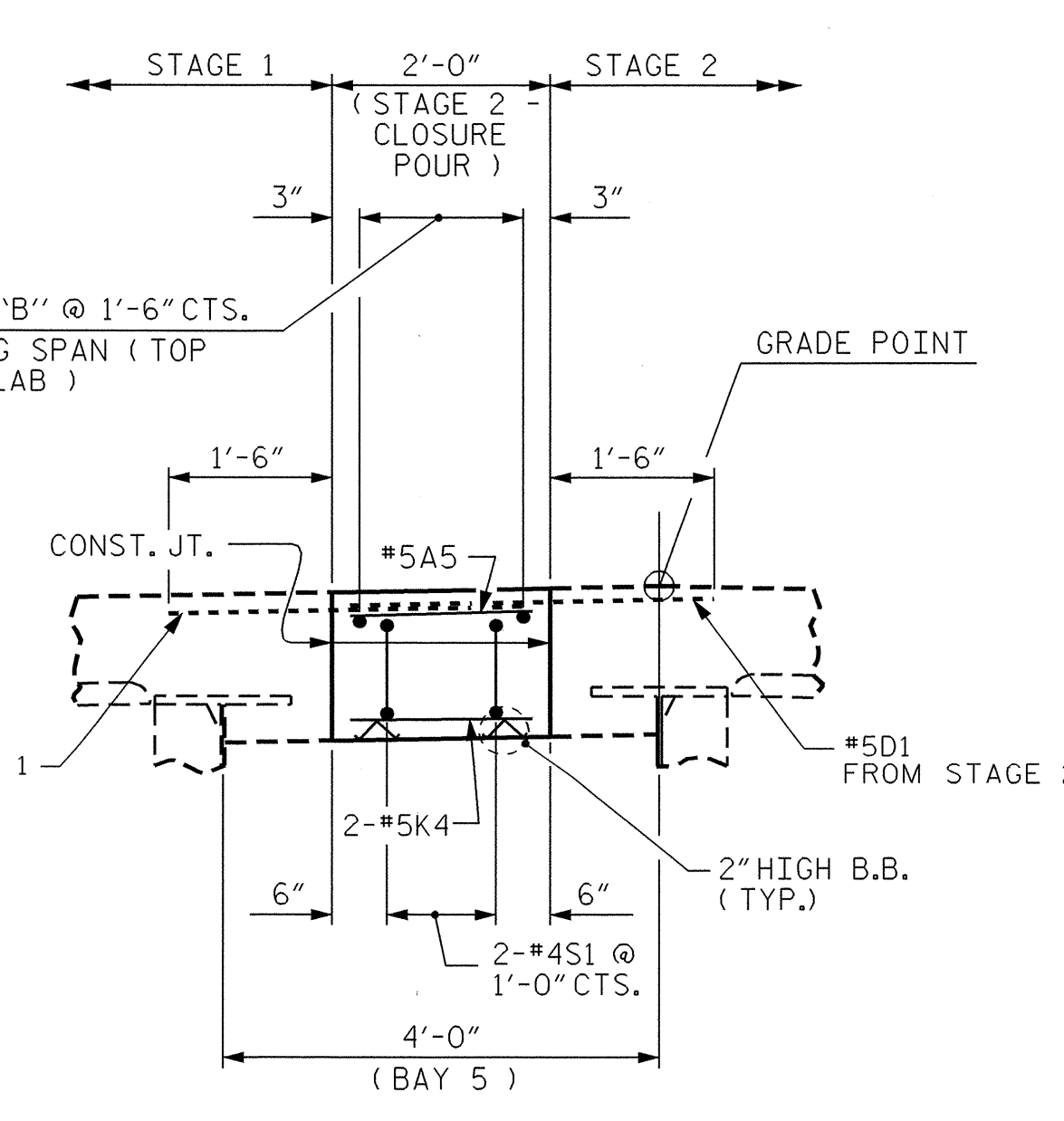
TYPICAL SECTION @ END BENT DIAPHRAGMS

FOR END BENT DIAPHRAGM LOCATIONS AND DETAILS, SEE "STRUCTURAL STEEL DETAILS" SHEETS.



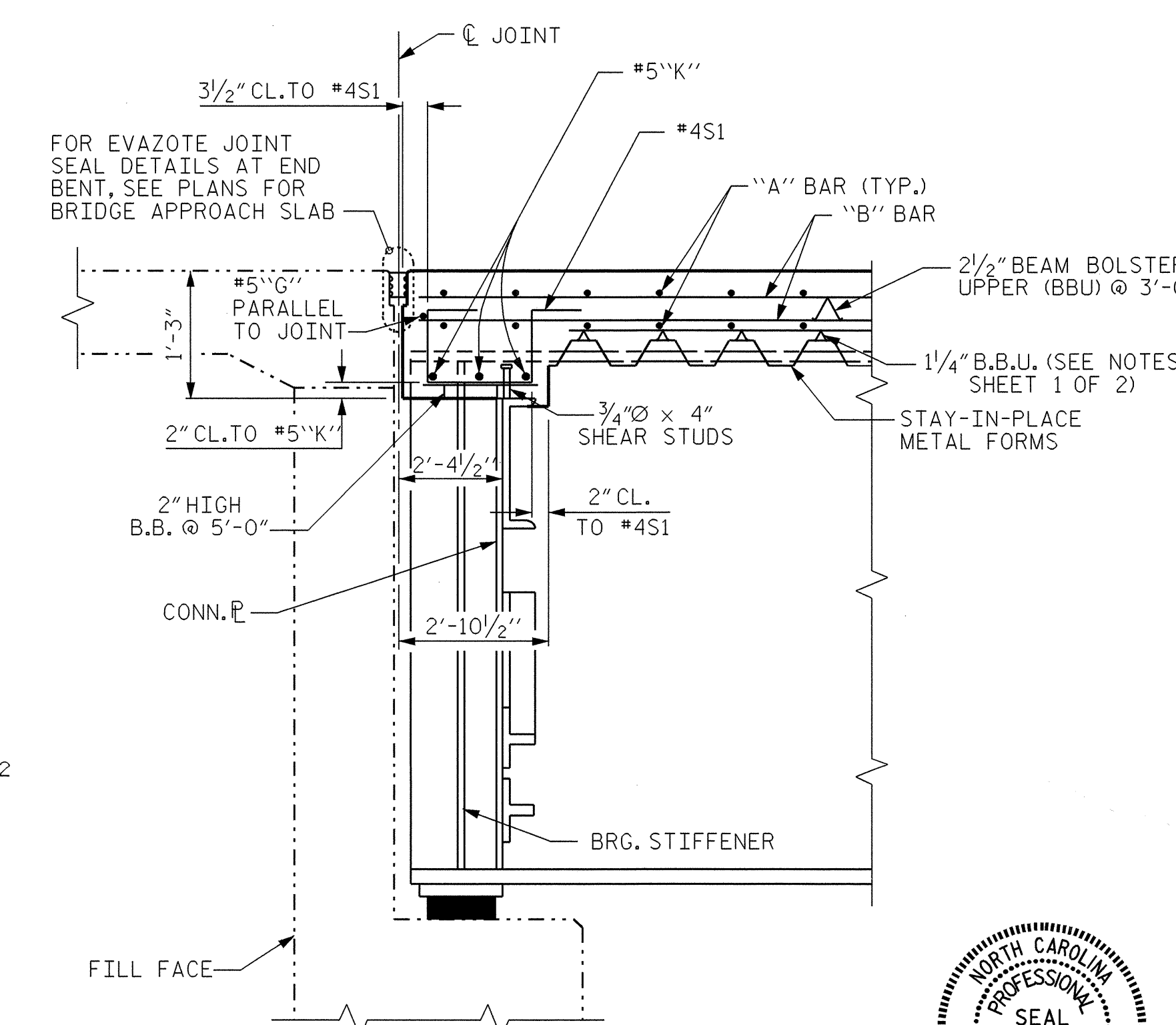
DRAIN CONNECTOR DETAIL

SEE PLAN OF SPANS (STAGE 2) FOR LOCATIONS.
 COUPLING IN DRAIN PIPE WILL BE PERMITTED AS APPROVED BY THE ENGINEER.
 TOP OF FLOOR DRAIN TO BE SET 3/8" BELOW SURFACE OF SLAB.
 4 - 1/2" SQUARE LUGS TO BE GLUED TO THE PVC PLASTIC PIPE AT EQUAL SPACES AROUND THE PIPE DRAIN APPROXIMATELY 4" FROM THE TOP OF THE PIPE.
 BOLT SIZE TO BE SAME AS DIAPHRAGM AND CROSSFRAME CONNECTIONS. STAINLESS STEEL WORM DRIVE HOSE CLAMP SHALL BE COMMERCIAL QUALITY.
 PVC PLASTIC DECK DRAINS SHALL BE PAINTED WITH AN APPROVED VINYL PAINT, SEE SPECIAL PROVISIONS.



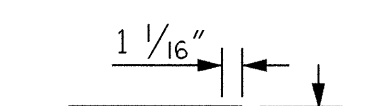
DETAIL "C"

(STAGE 2 - CLOSURE POUR)



SECTION @ END BENTS

SECTION B-B



SECTION A-A



PROJECT NO. I-2102
 FORSYTH COUNTY
 STATION: 20+71.54 -L-
 SHEET 2 OF 2

STATE OF NORTH CAROLINA
 DEPARTMENT OF TRANSPORTATION
 RALEIGH

SUPERSTRUCTURE
TYPICAL SECTION



DRAWN BY: J.P. ADAMS DATE: 8/29/03
 CHECKED BY: S.H. SOCKWELL DATE: 10/2/03

THE 6" Ø PVC PLASTIC PIPE AND FITTINGS SHALL BE SCHEDULE 40 AND CONFORM TO ASTM D1785.

REVISIONS						SHEET NO.	
NO.	BY:	DATE:	NO.	BY:	DATE:	S-6	
1			3			TOTAL SHEETS	
2			4			51	