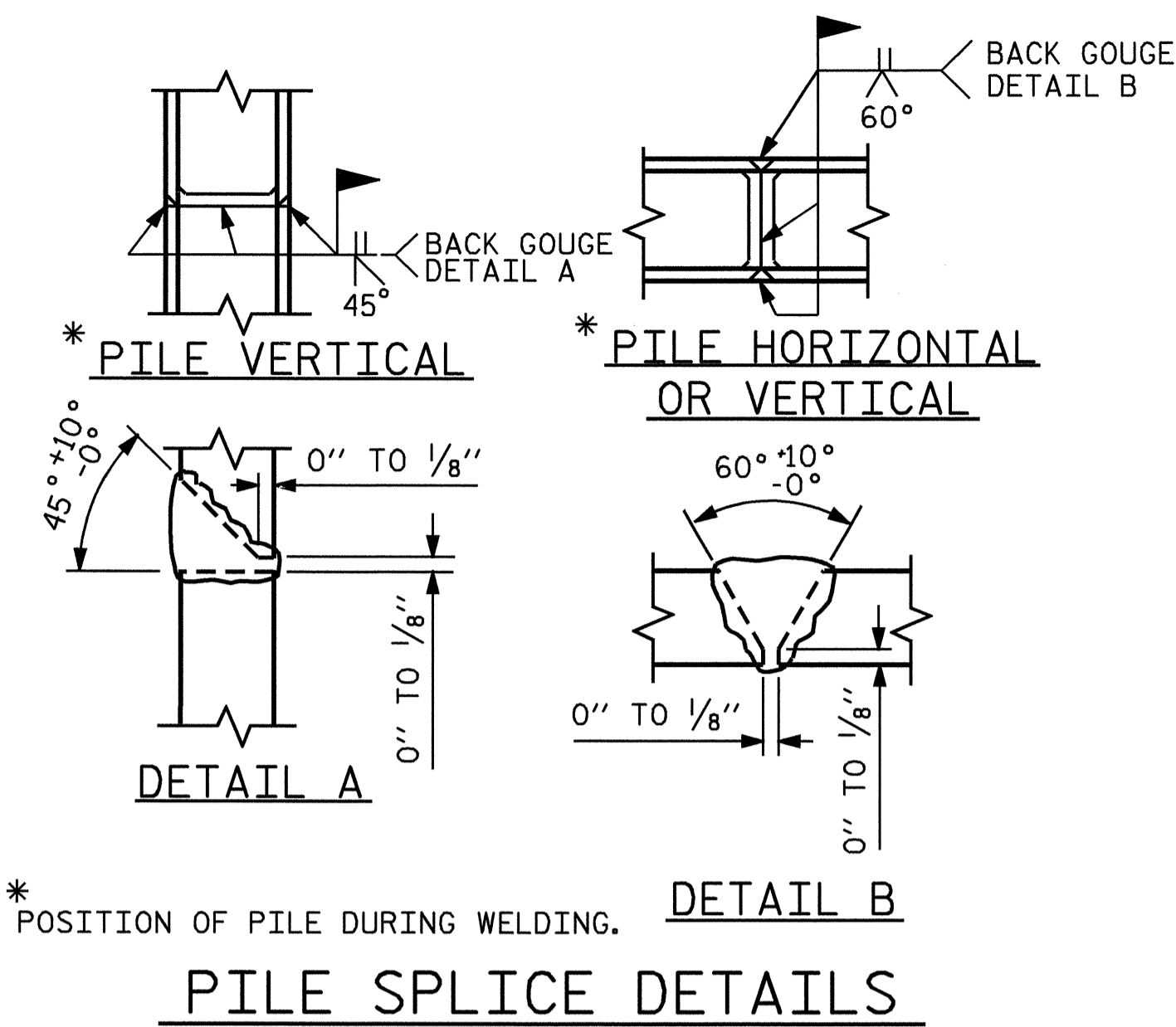
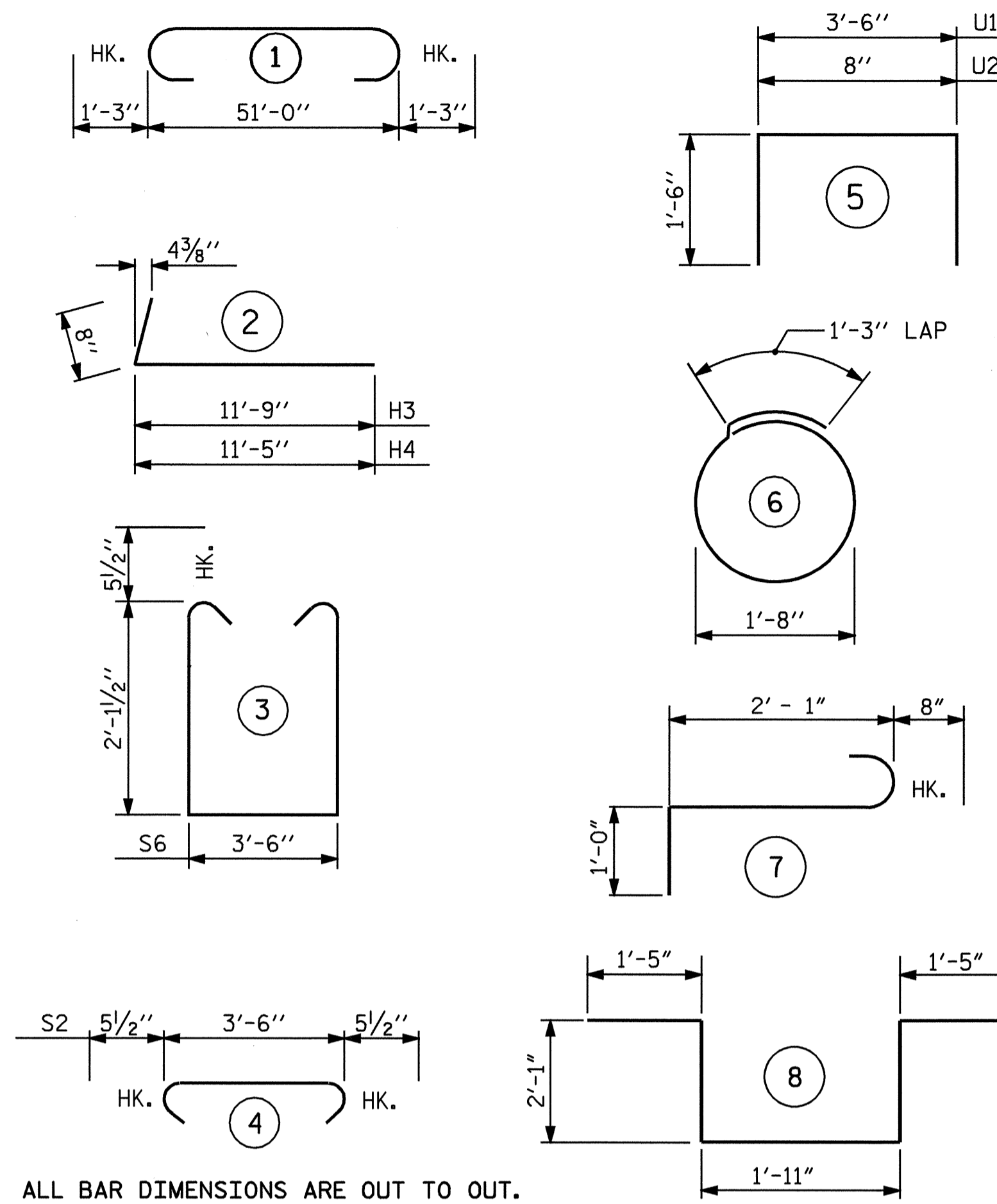


**SECTION B-B**



**PILE SPLICE DETAILS**



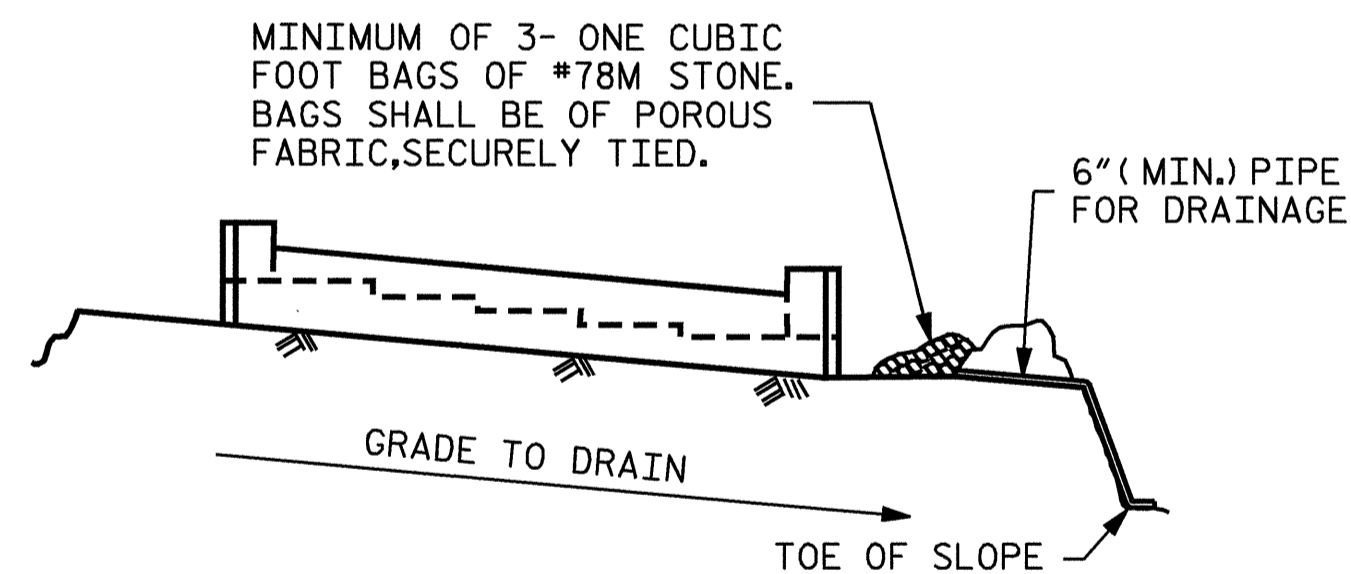
ALL BAR DIMENSIONS ARE OUT TO OUT.

**BILL OF MATERIAL**

**STAGE 2**

BAR	NO.	SIZE	TYPE	LENGTH	WEIGHT
B5	13	4	STR.	3'-6"	30
B6	5	4	STR.	2'-6"	8
B8	10	9	1	53'-6"	1819
B9	8	4	STR.	26'-10"	143
B10	2	5	STR.	51'-2"	107
B11	5	4	STR.	20'-7"	70
H3	10	5	2	12'-5"	129
H4	10	5	2	12'-1"	126
K3	20	4	STR.	27'-0"	361
K4	4	4	STR.	3'-10"	10
S2	52	5	4	4'-5"	240
S3	20	4	6	6'-6"	87
S4	3	6	7	3'-9"	17
S5	1	6	8	8'-11"	13
S6	52	5	3	8'-8"	470
U1	17	4	5	6'-6"	74
U2	48	4	5	3'-8"	118
V3	96	5	STR.	7'-8"	768
V4	32	5	STR.	9'-4"	312

REINFORCING STEEL	4902
CLASS A CONCRETE BREAKDOWN	
POUR #1	
CAP & LOWER WINGS	22.8 Yds.3
POUR #2	
BACKWALL & UPPER WINGS	14.2 Yds.3
TOTAL CLASS A CONCRETE	37.0 Yds.3
HP 12 X 53 STEEL PILES	
NO. 10	750 Lin. Ft.



BAGGED STONE AND PIPE SHALL BE PLACED IMMEDIATELY AFTER COMPLETION OF END BENT EXCAVATION. PIPE MAY BE EITHER CONCRETE, CORRUGATED STEEL, CORRUGATED ALUMINUM ALLOY, OR CORRUGATED PLASTIC. PERFORATED PIPE WILL NOT BE ALLOWED.

BAGGED STONE SHALL REMAIN IN PLACE UNTIL THE ENGINEER DIRECTS THAT IT BE REMOVED. THE CONTRACTOR SHALL REMOVE AND DISPOSE OF SILT ACCUMULATIONS AT BAGGED STONE WHEN SO DIRECTED BY THE ENGINEER. BAGS SHALL BE REMOVED AND REPLACED WHENEVER THE ENGINEER DETERMINES THAT THEY HAVE DETERIORATED AND LOST THEIR EFFECTIVENESS.

NO SEPARATE PAYMENT WILL BE MADE FOR THIS WORK AND THE ENTIRE COST OF THIS WORK SHALL BE INCLUDED IN THE UNIT CONTRACT PRICE BID FOR THE SEVERAL PAY ITEMS.

**TEMPORARY DRAINAGE AT END BENT**

	STAGE 1	STAGE 2	TOTAL
REINFORCING STEEL (LBS.)	6939	4902	11841
TOTAL CLASS A CONCRETE (C.Y.)	52.8	37.0	89.8
HP 12 X 53 STEEL PILES	NO.	14	10
	LIN. FT.	1050	750
			1800

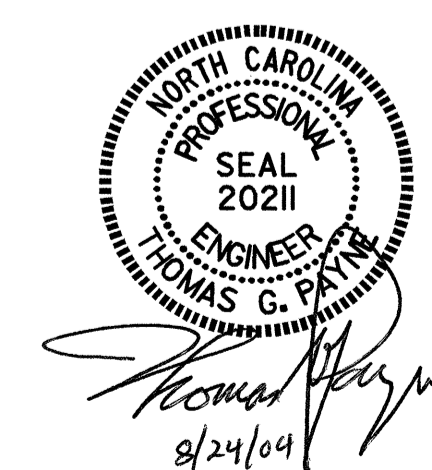
PROJECT NO. I-2102  
FORSYTH COUNTY  
 STATION: 20+71.54 -L-

SHEET 5 OF 5

STATE OF NORTH CAROLINA  
 DEPARTMENT OF TRANSPORTATION  
 RALEIGH

SUBSTRUCTURE  
 END BENT #1

(STAGE 2)



REVISIONS				SHEET NO.
NO.	BY:	DATE:	NO.	DATE:
1			3	
2			4	

TOTAL SHEETS: 51

DRAWN BY: J.P. ADAMS DATE: 1/21/04  
 CHECKED BY: H.A. LOCKLEAR DATE: 5/04