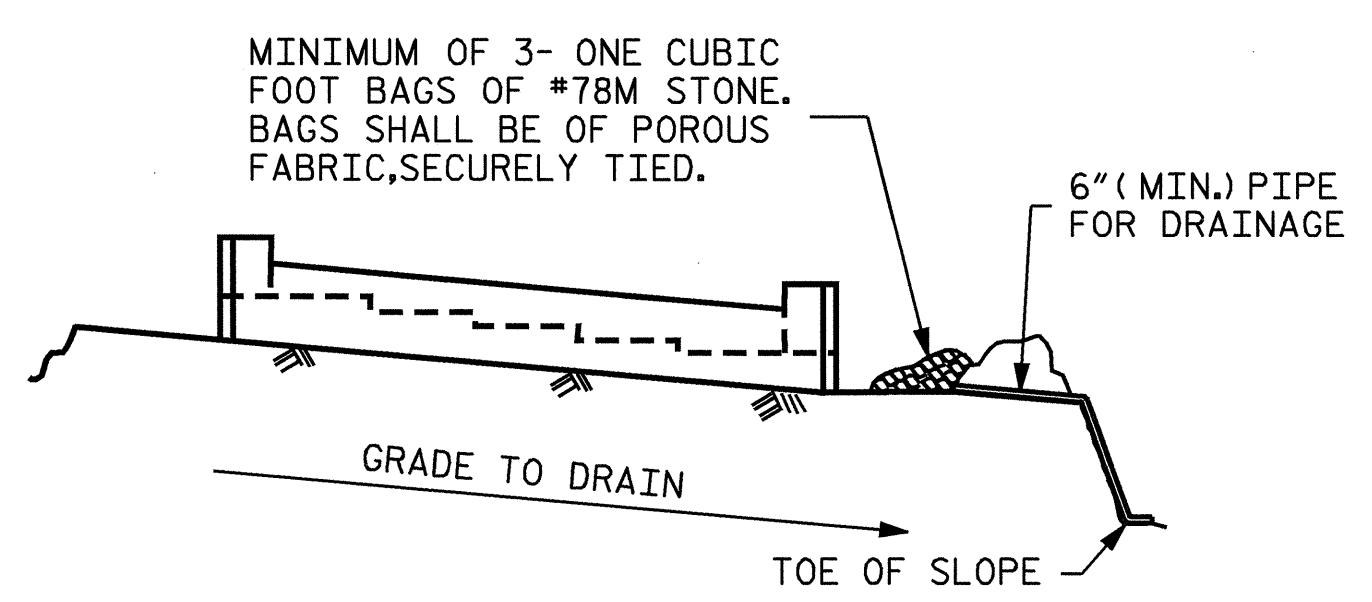
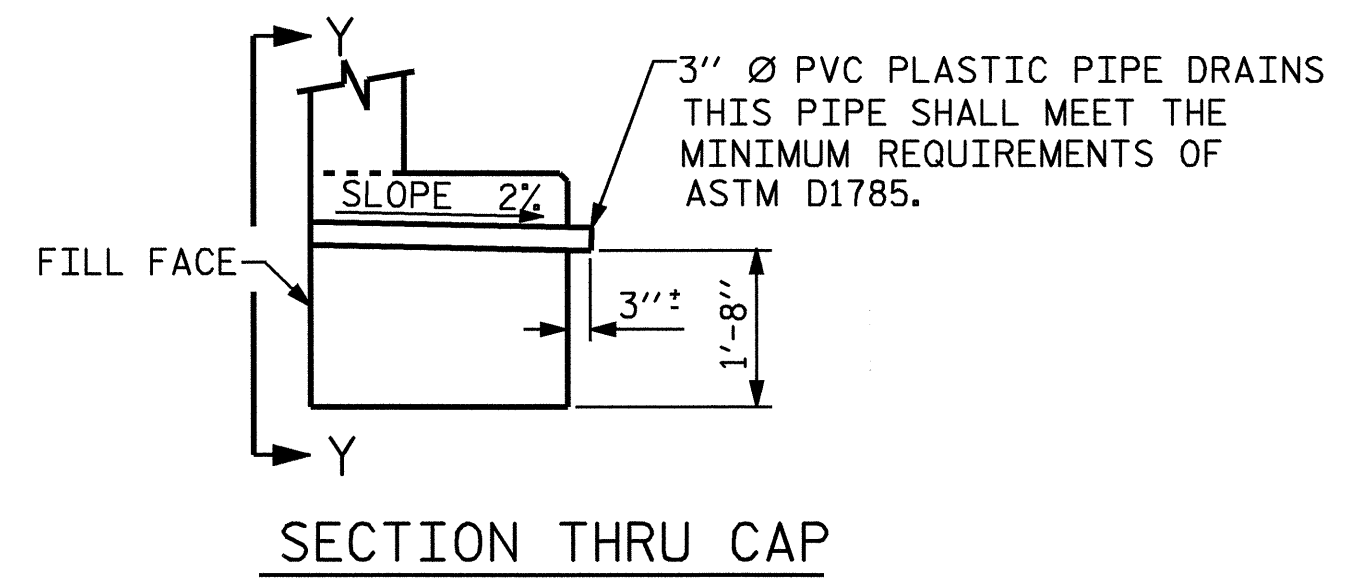


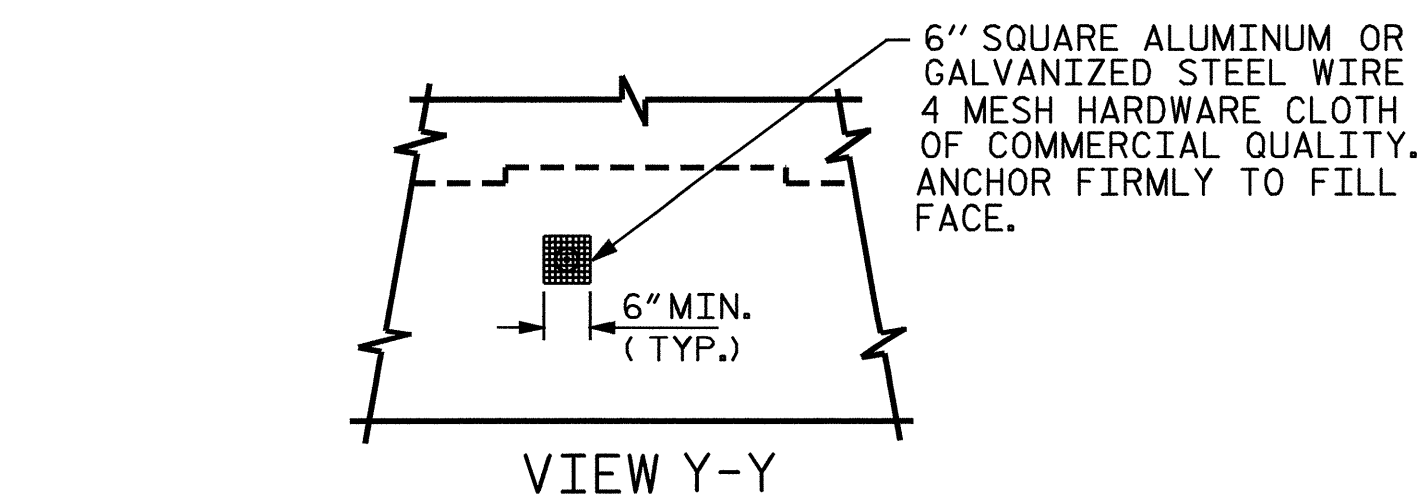
BILL OF MATERIAL					
STAGE 1					
BAR	NO.	SIZE	TYPE	LENGTH	WEIGHT
B1	10	9	1	35'-3"	1199
B2	5	9	1	29'-8"	504
B3	5	9	STR.	31'-9"	540
B4	8	5	STR.	33'-5"	279
B5	2	5	STR.	36'-2"	75
B6	2	5	STR.	15'-7"	33
B7	5	4	STR.	16'-5"	55
B8	5	4	STR.	11'-8"	39
B9	15	4	STR.	3'-6"	35
B10	12	4	STR.	23'-2"	186
B11	5	4	STR.	7'-6"	25
B12	1	9	1	20'-4"	69
B13	1	9	1	20'-10"	71
B14	1	9	1	21'-4"	73
B15	1	9	1	21'-11"	75
B16	1	9	1	22'-6"	77
H1	14	5	2	19'-2"	280
H2	14	5	2	18'-10"	275
K1	36	4	STR.	23'-2"	557
K2	4	4	STR.	4'-8"	12
S1	68	5	4	4'-5"	313
S2	22	5	3	14'-3"	327
S3	30	5	3	12'-9"	399
S4	16	5	3	10'-11"	182
S5	24	4	6	6'-6"	104
S6	3	6	7	3'-9"	17
S7	1	6	8	8'-11"	13
U1	26	4	5	6'-6"	113
U2	57	4	5	3'-8"	140
V1	114	5	STR.	9'-2"	1090
V2	46	5	STR.	12'-9"	612
REINFORCING STEEL					7769
CLASS A CONCRETE BREAKDOWN					
POUR #1					
CAP & LOWER WINGS					47.3 Yds.3
POUR #2					
BACKWALL & UPPER WINGS					18.3 Yds.3
TOTAL CLASS A CONCRETE					65.6 Yds.3
HP 12 X 53 STEEL PILES					
NO. 14					980 Lin. Ft.



BAGGED STONE AND PIPE SHALL BE PLACED IMMEDIATELY AFTER COMPLETION OF END BENT EXCAVATION. PIPE MAY BE EITHER CONCRETE, CORRUGATED STEEL, CORRUGATED ALUMINUM ALLOY, OR CORRUGATED PLASTIC. PERFORATED PIPE WILL NOT BE ALLOWED.

BAGGED STONE SHALL REMAIN IN PLACE UNTIL THE ENGINEER DIRECTS THAT IT BE REMOVED. THE CONTRACTOR SHALL REMOVE AND DISPOSE OF SILT ACCUMULATIONS AT BAGGED STONE WHEN SO DIRECTED BY THE ENGINEER. BAGS SHALL BE REMOVED AND REPLACED WHENEVER THE ENGINEER DETERMINES THAT THEY HAVE DETERIORATED AND LOST THEIR EFFECTIVENESS.

NO SEPARATE PAYMENT WILL BE MADE FOR THIS WORK AND THE ENTIRE COST OF THIS WORK SHALL BE INCLUDED IN THE UNIT CONTRACT PRICE BID FOR THE SEVERAL PAY ITEMS.



NOTE: NO SEPARATE PAYMENT WILL BE MADE FOR FURNISHING AND INSTALLING THE PVC PLASTIC PIPE DRAINS, HARDWARE CLOTH AND FASTENERS. THE ENTIRE COST OF THIS WORK SHALL BE INCLUDED IN THE UNIT CONTRACT PRICE BID FOR THE SEVERAL PAY ITEMS.

PIPE DRAIN DETAILS

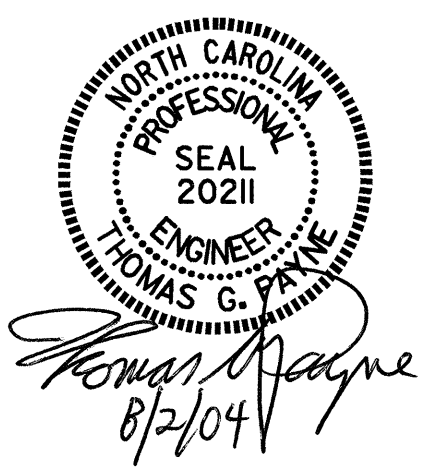
TEMPORARY DRAINAGE AT END BENT

PROJECT NO. I-2102
 FORSYTH COUNTY
 STATION: 20+71.54 -L-

SHEET 4 OF 5

STATE OF NORTH CAROLINA
 DEPARTMENT OF TRANSPORTATION
 RALEIGH

SUBSTRUCTURE
 END BENT #2
 (STAGE 1)



REVISIONS					SHEET NO.
NO.	BY:	DATE:	NO.	DATE:	S-44
1			3		TOTAL SHEETS
2			4		51