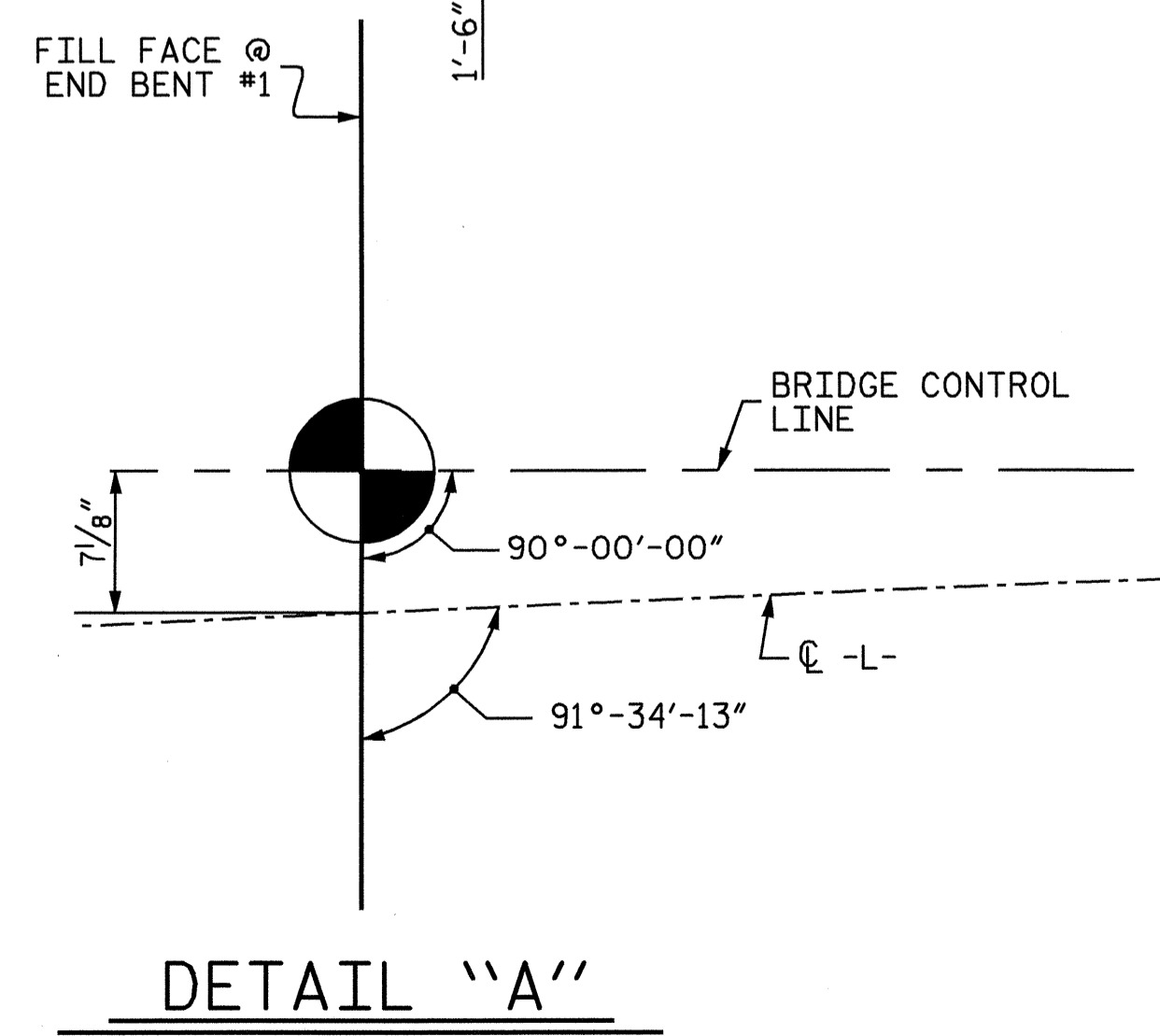


PLAN OF SPAN A

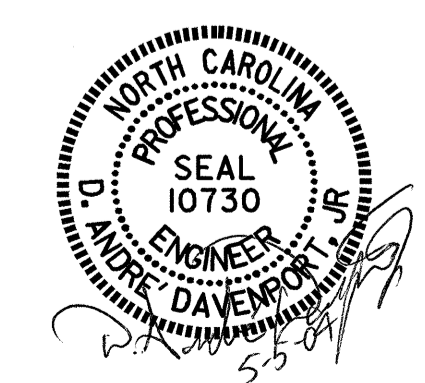


DETAIL "A"

PROJECT NO. B-4334
DAVIDSON COUNTY
 STATION: 27+49.00 -L-

SHEET 1 OF 3

STATE OF NORTH CAROLINA
 DEPARTMENT OF TRANSPORTATION
 RALEIGH
 SUPERSTRUCTURE
 PLAN OF SPAN A



DRAWN BY: M. M. P. / DAD DATE: 9/26/02
 CHECKED BY: H. T. BARBOUR DATE: 11/02

REVISIONS						SHEET NO.
NO.	BY:	DATE:	NO.	BY:	DATE:	S-0
1			3			TOTAL SHEETS
2			4			34