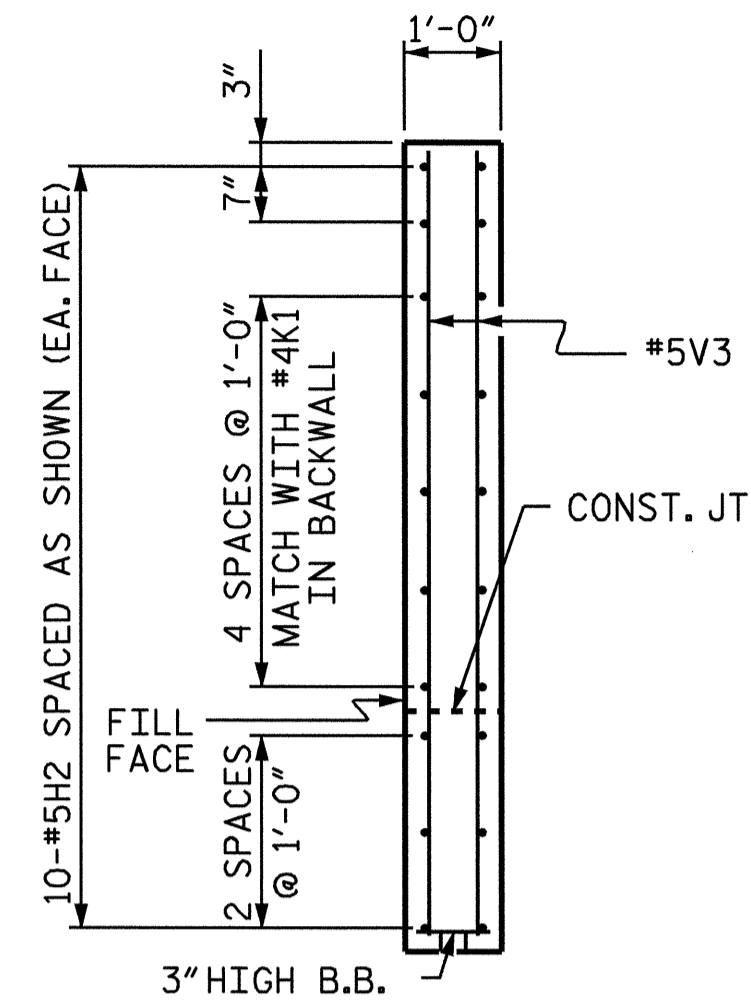
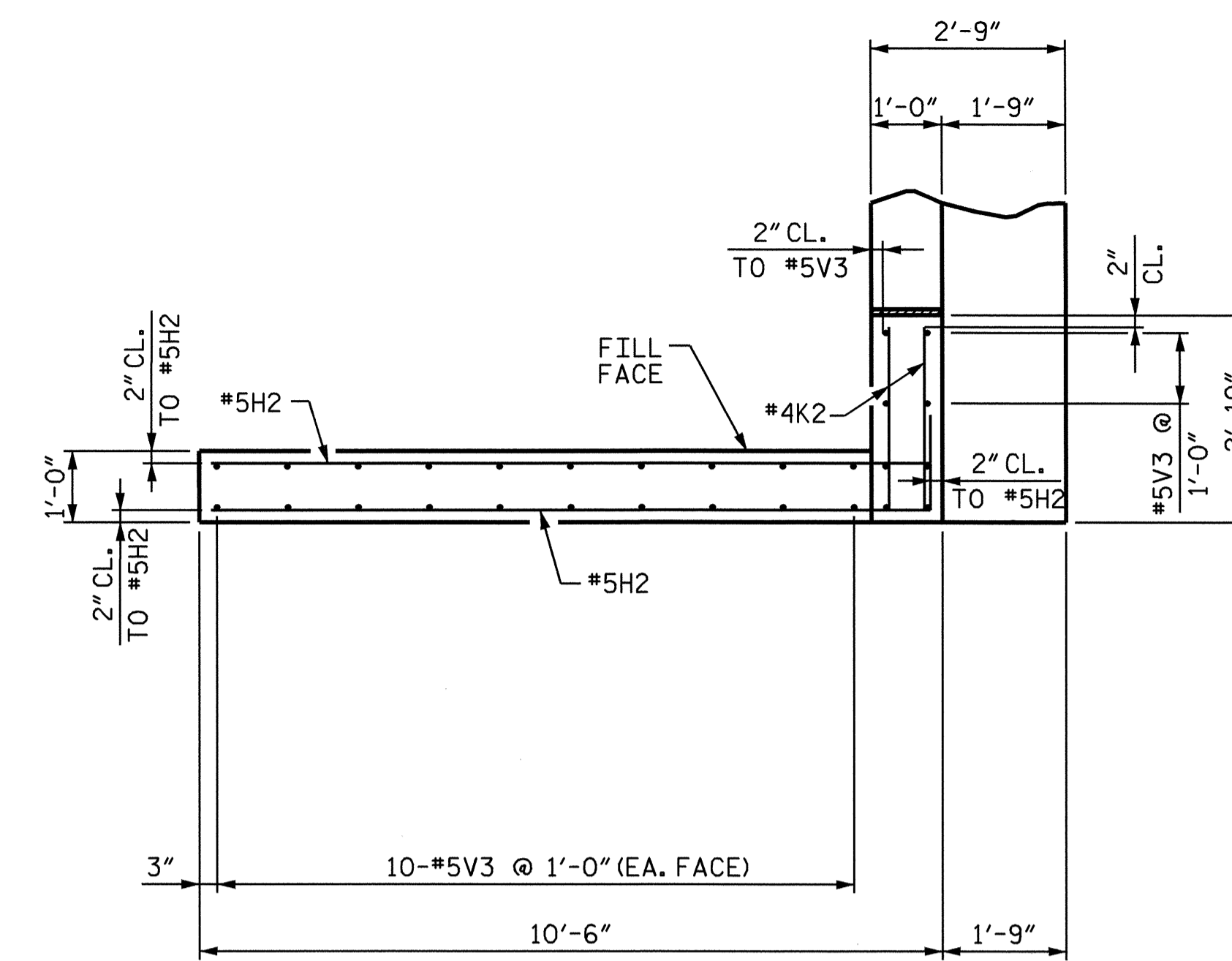


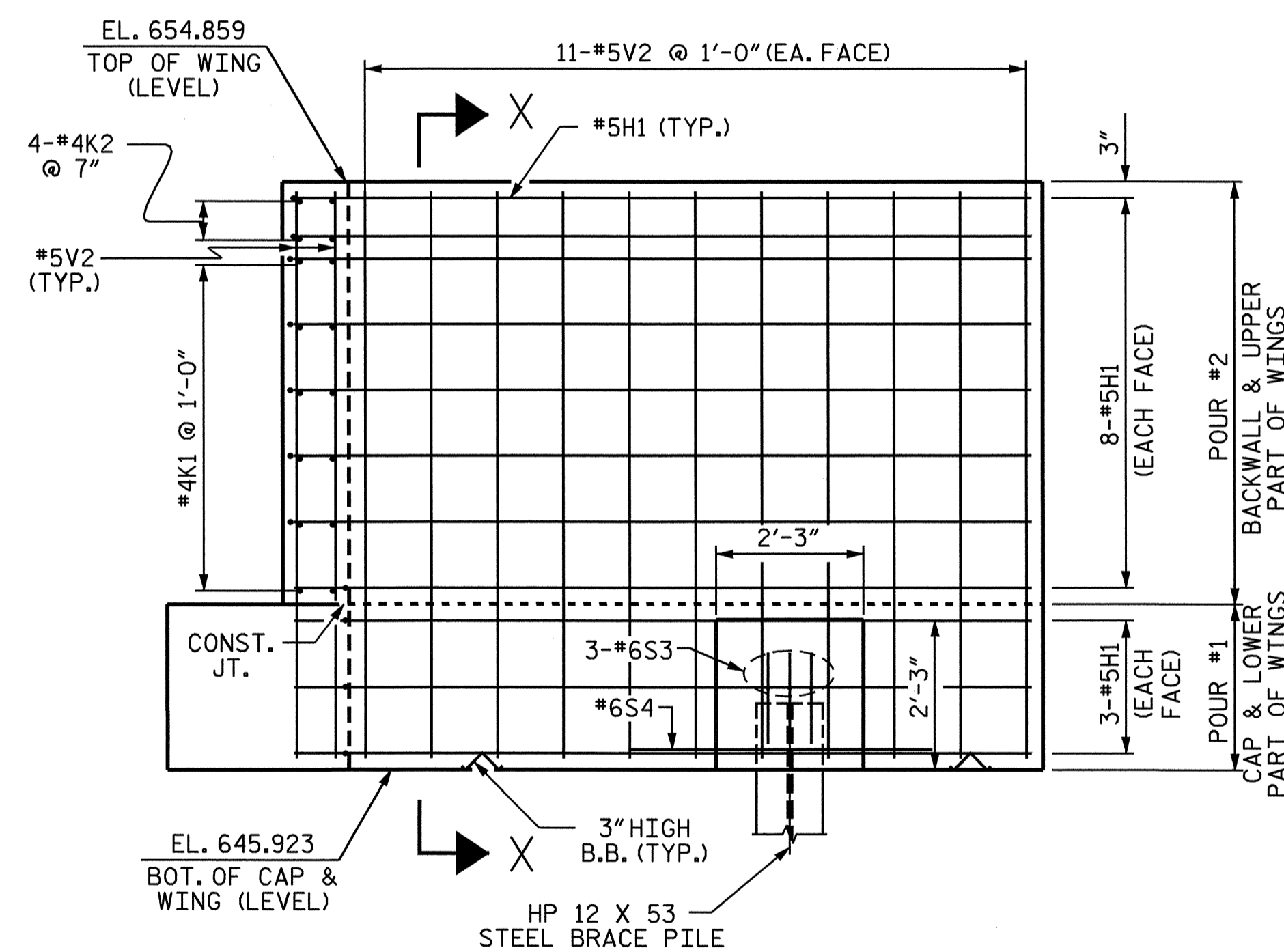
PLAN OF LEFT WING - W1



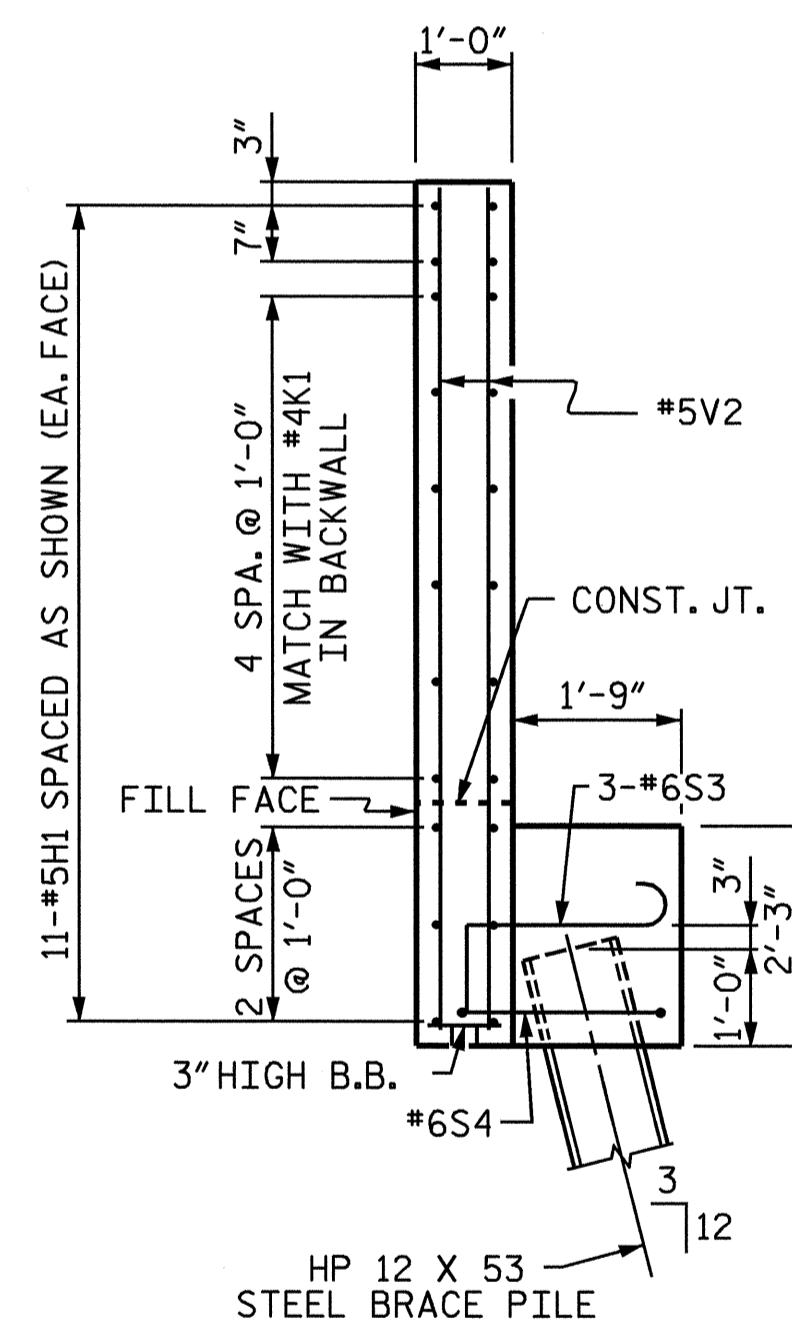
SECTION Y-Y



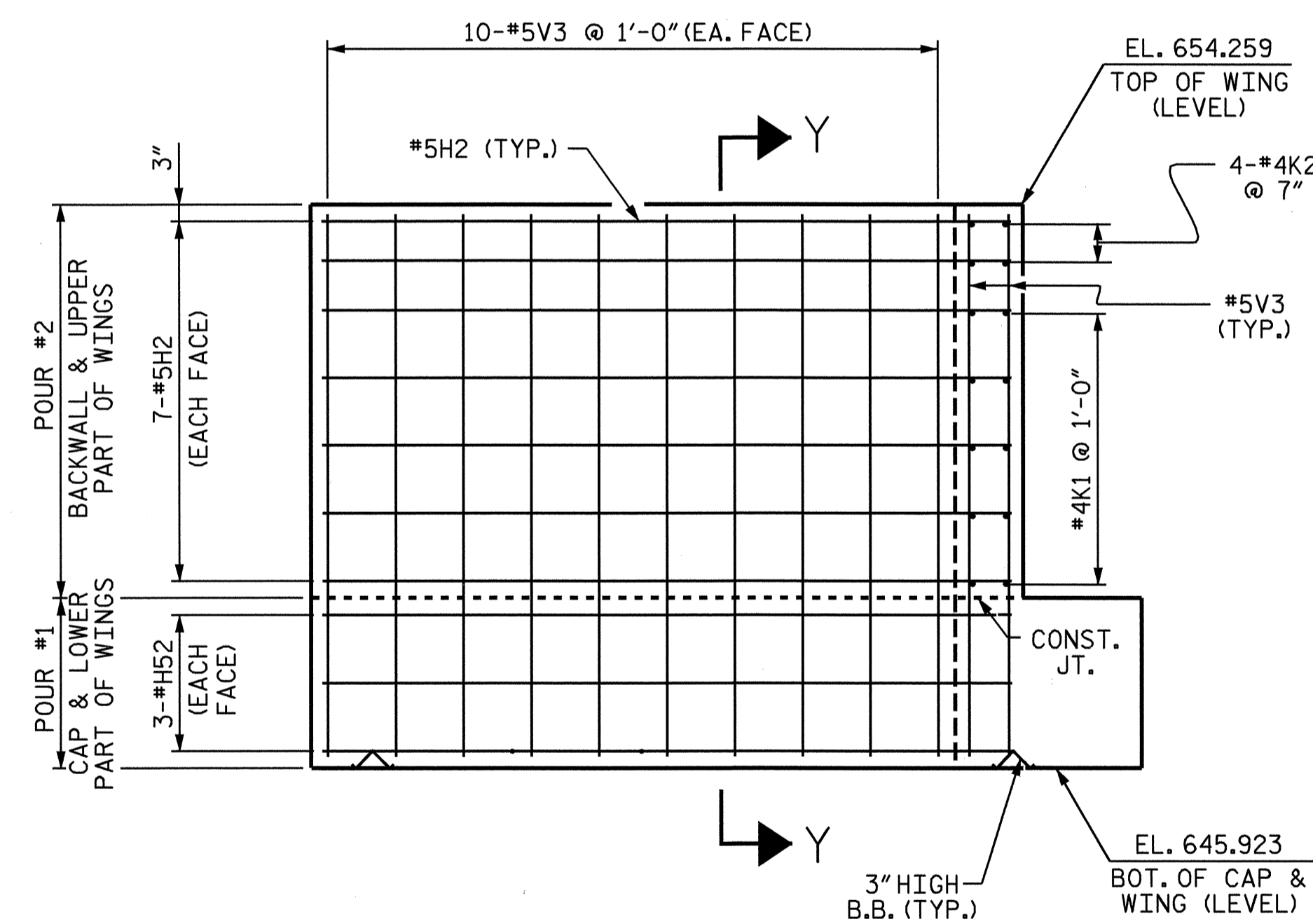
PLAN OF RIGHT WING - W2



ELEVATION OF LEFT WING - W1



SECTION X-X



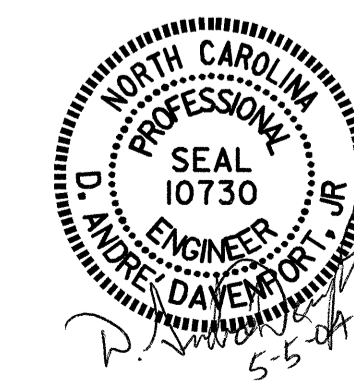
ELEVATION OF RIGHT WING - W2

PROJECT NO. B-4334  
DAVIDSON COUNTY  
STATION: 27+49.00 -L-

SHEET 2 OF 3

STATE OF NORTH CAROLINA  
DEPARTMENT OF TRANSPORTATION  
RALEIGH

SUBSTRUCTURE  
END BENT #1



DRAWN BY : D. G. ELY /DAD DATE : 4/03  
CHECKED BY : D. A. DAVENPORT DATE : 9/03

REVISIONS						SHEET NO.	
NO.	BY:	DATE:	NO.	BY:	DATE:	S-1B	
1			3			TOTAL SHEETS	
2			4			34	