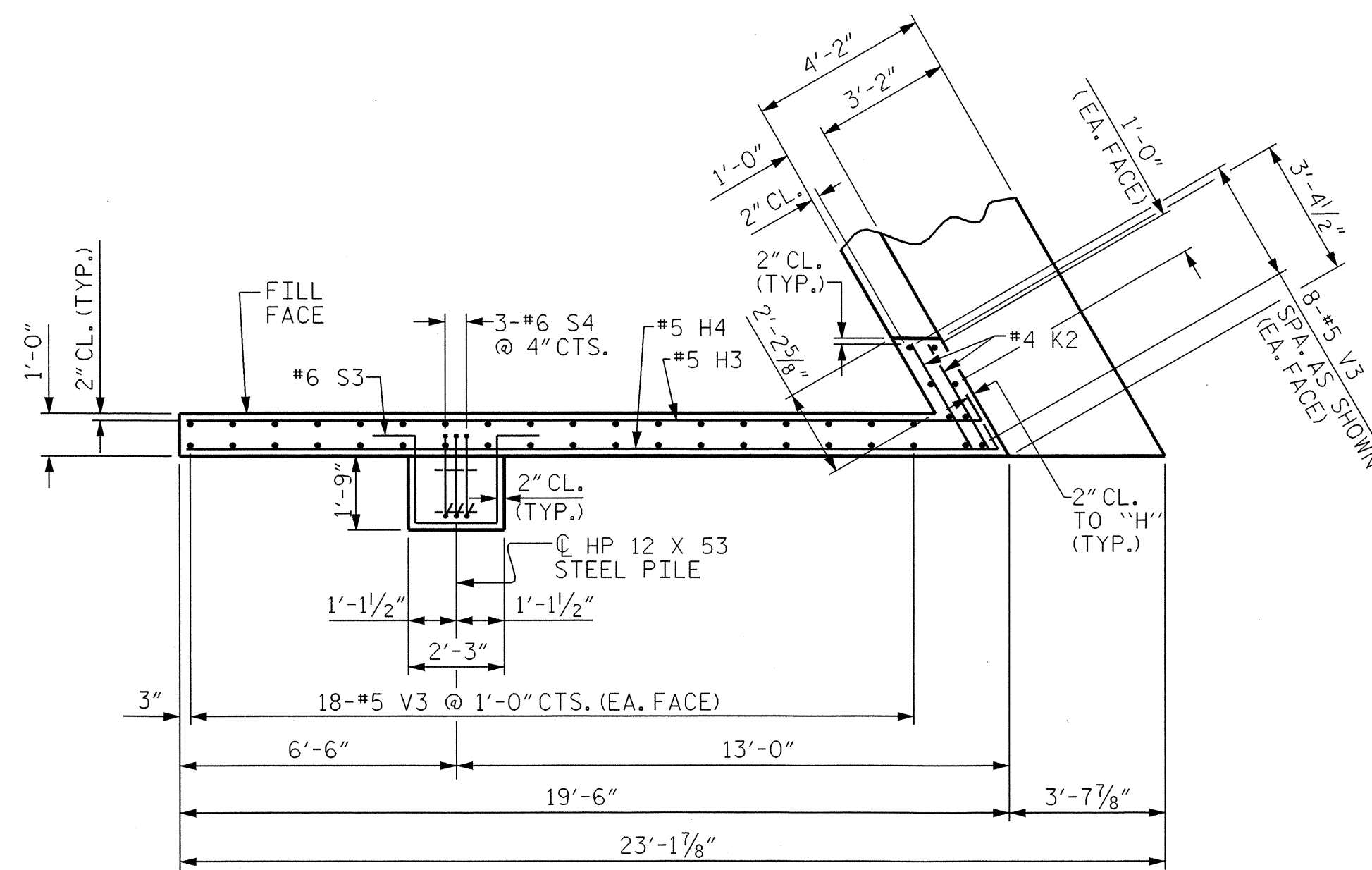
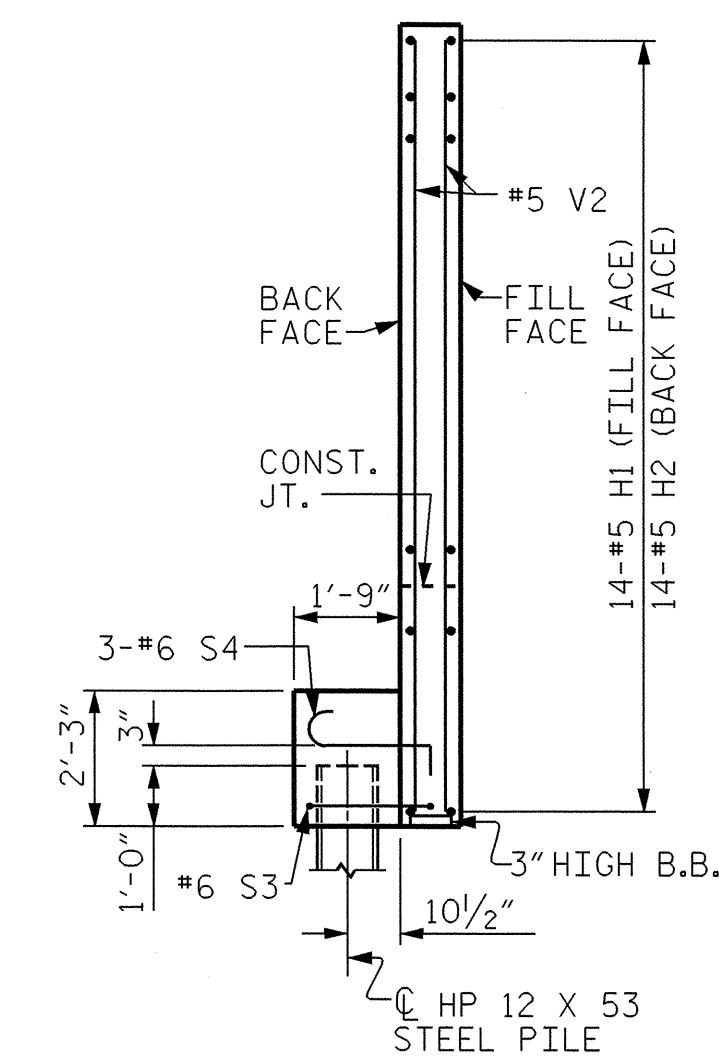


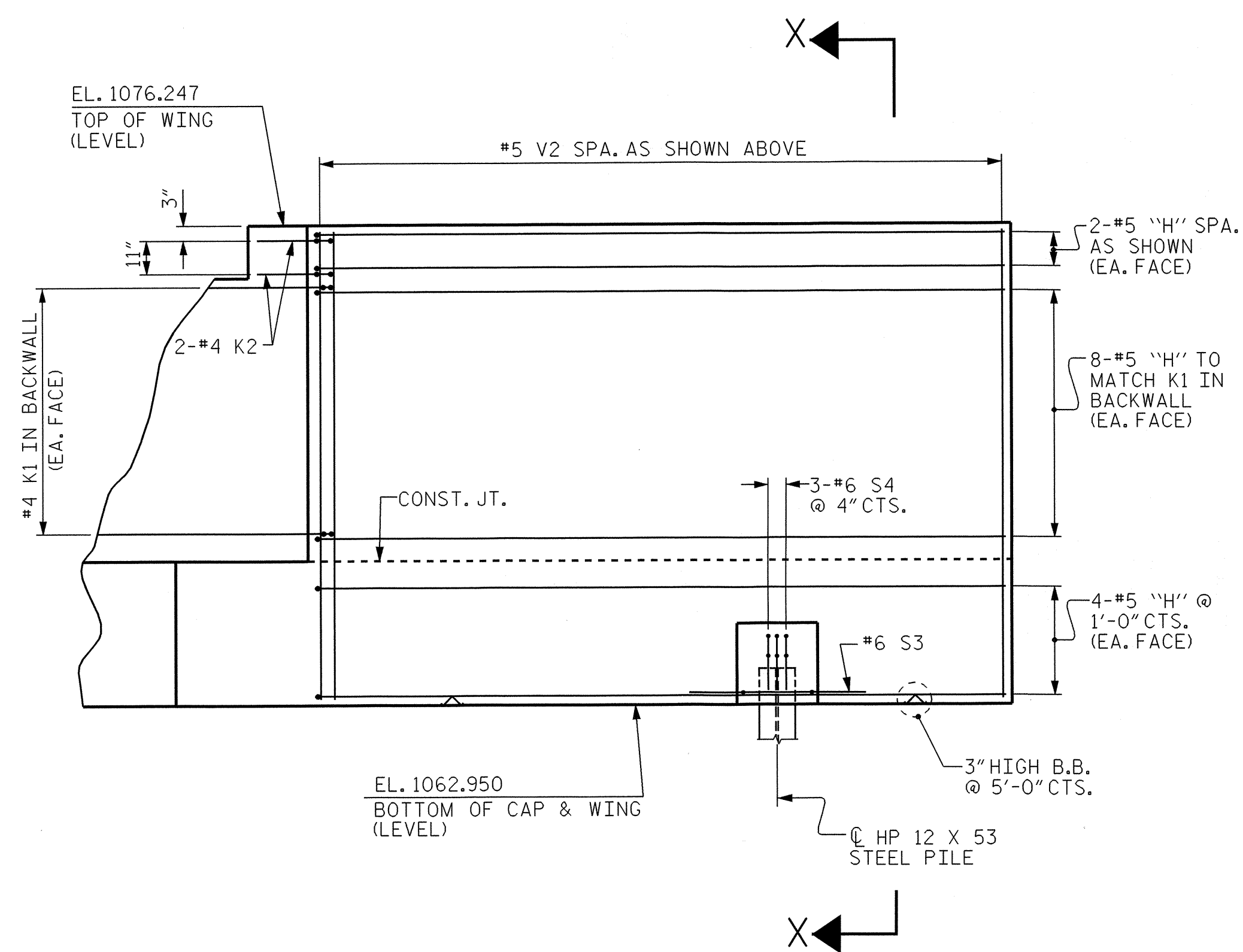
PLAN OF LEFT WING (W1)



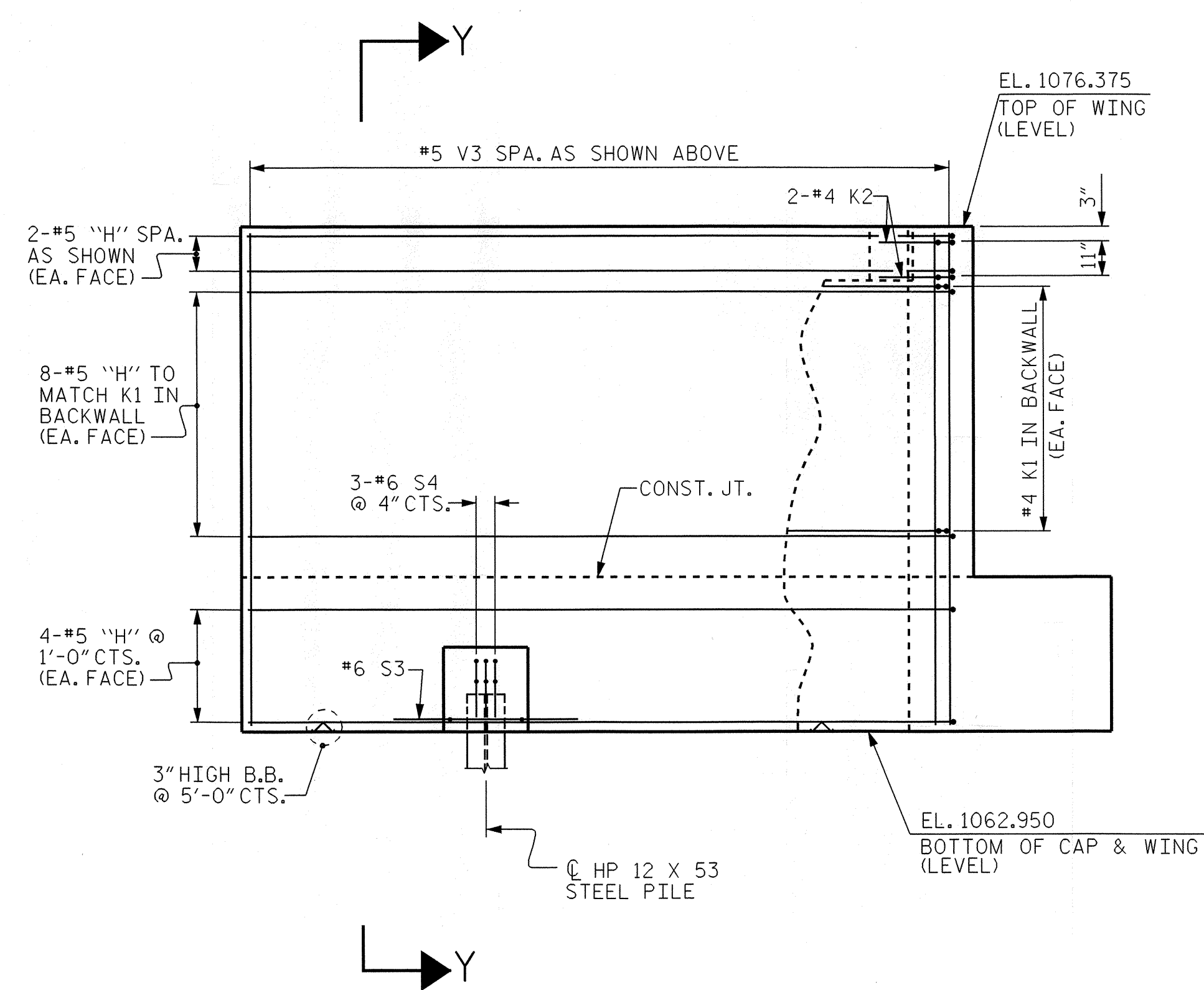
PLAN OF RIGHT WING (W2)



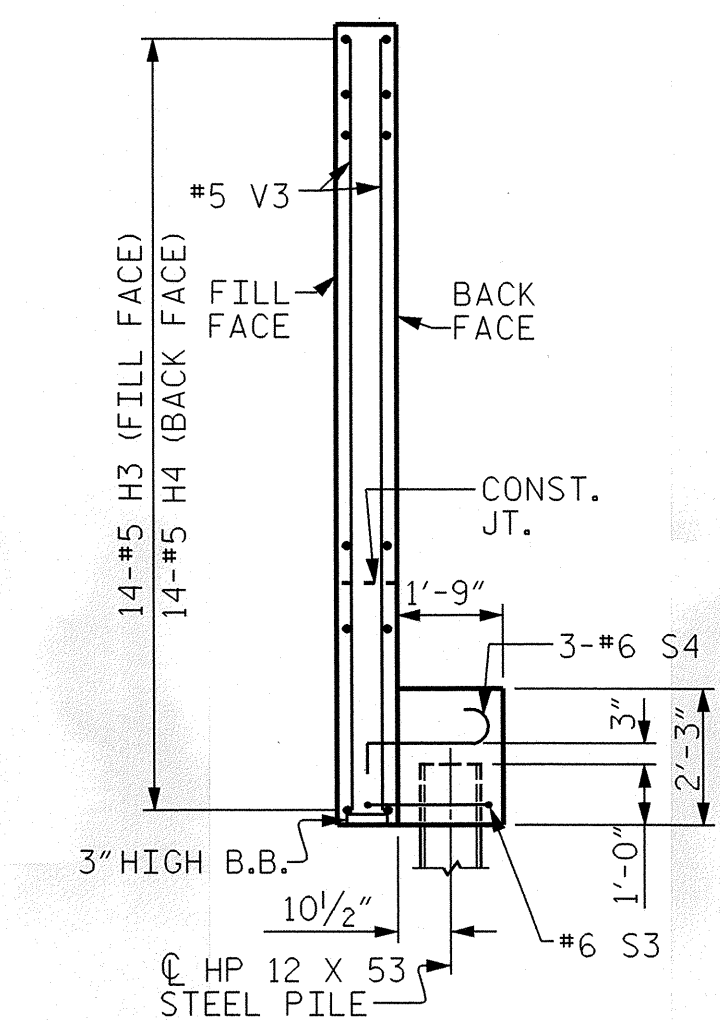
SECTION X-X



ELEVATION OF LEFT WING (W1)



ELEVATION OF RIGHT WING (W2)



SECTION Y-Y

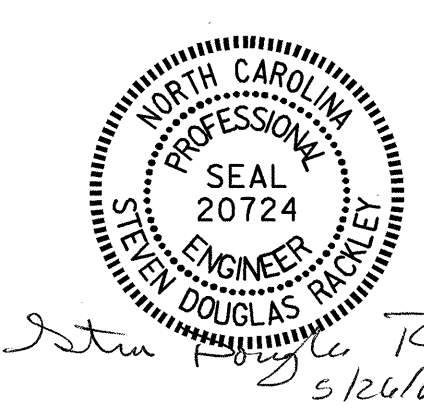
PROJECT NO. B-3419
 BURKE COUNTY
 STATION: 20+15.00 -L-

SHEET 2 OF 3

STATE OF NORTH CAROLINA
 DEPARTMENT OF TRANSPORTATION
 RALEIGH

SUBSTRUCTURE
 END BENT 1

REVISIONS				SHEET NO. S-14
NO.	BY:	DATE:	NO.	
1			3	TOTAL SHEETS 23
2			4	



DRAWN BY: A.R.CHESSON DATE: 10-03
 CHECKED BY: K.D.LAYNE DATE: 1-04

25-MAY-2004 10:51
 W:\Squads\B3419\FinalPlans\B3419.sd.e1.01.dgn
 klayne