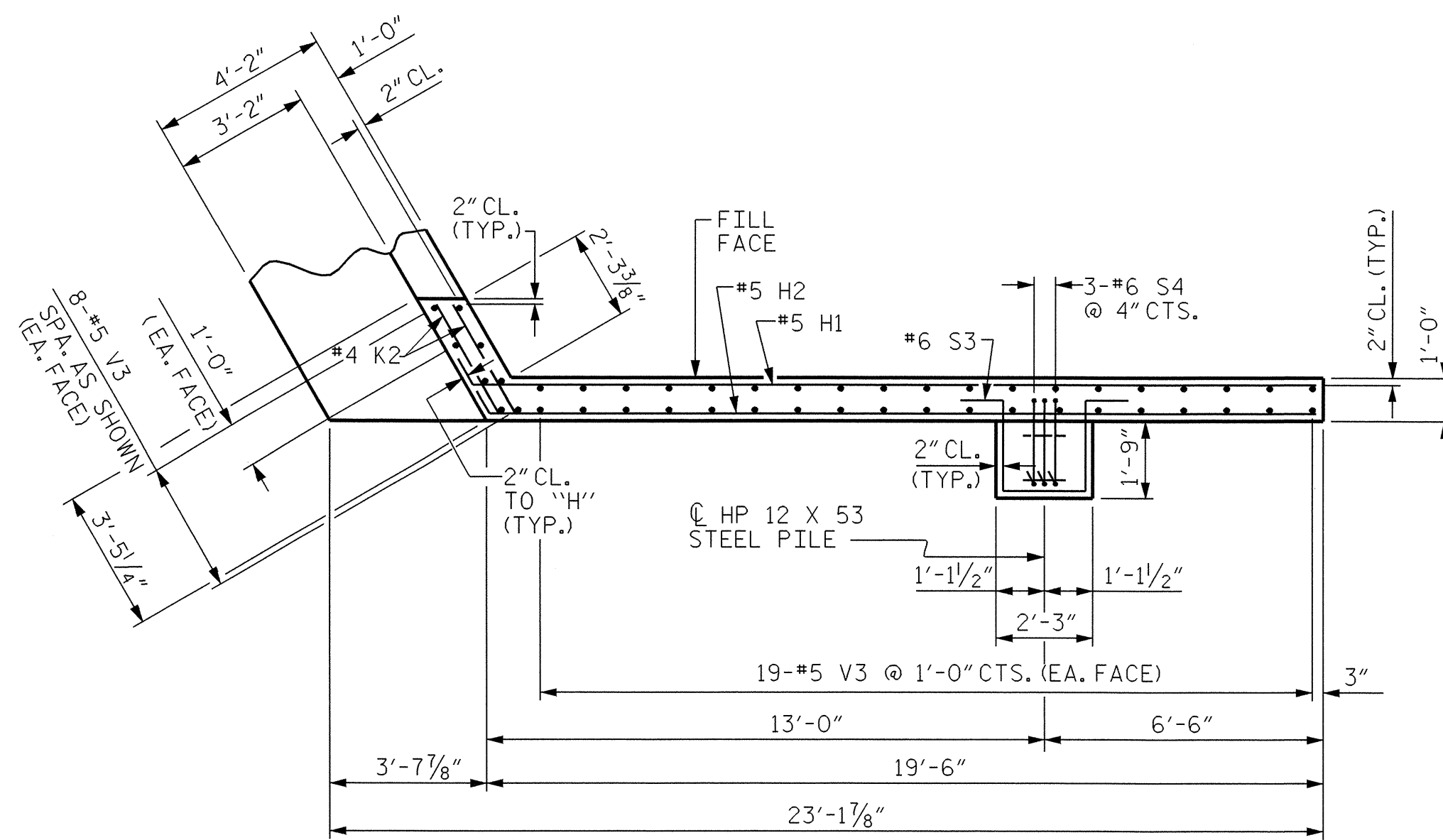
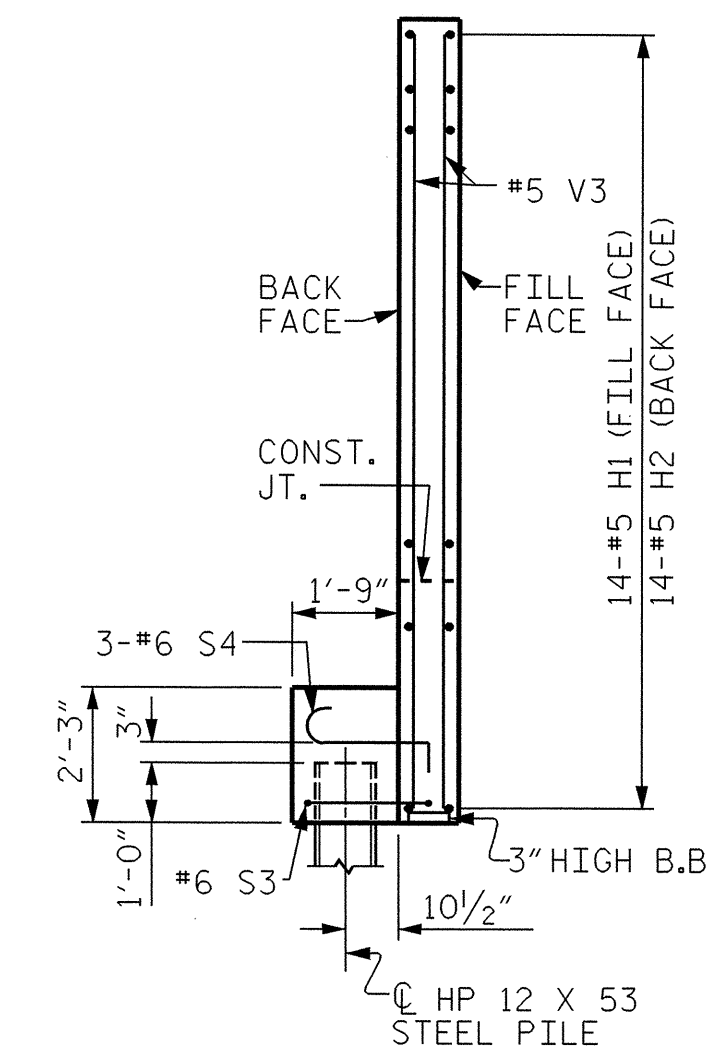


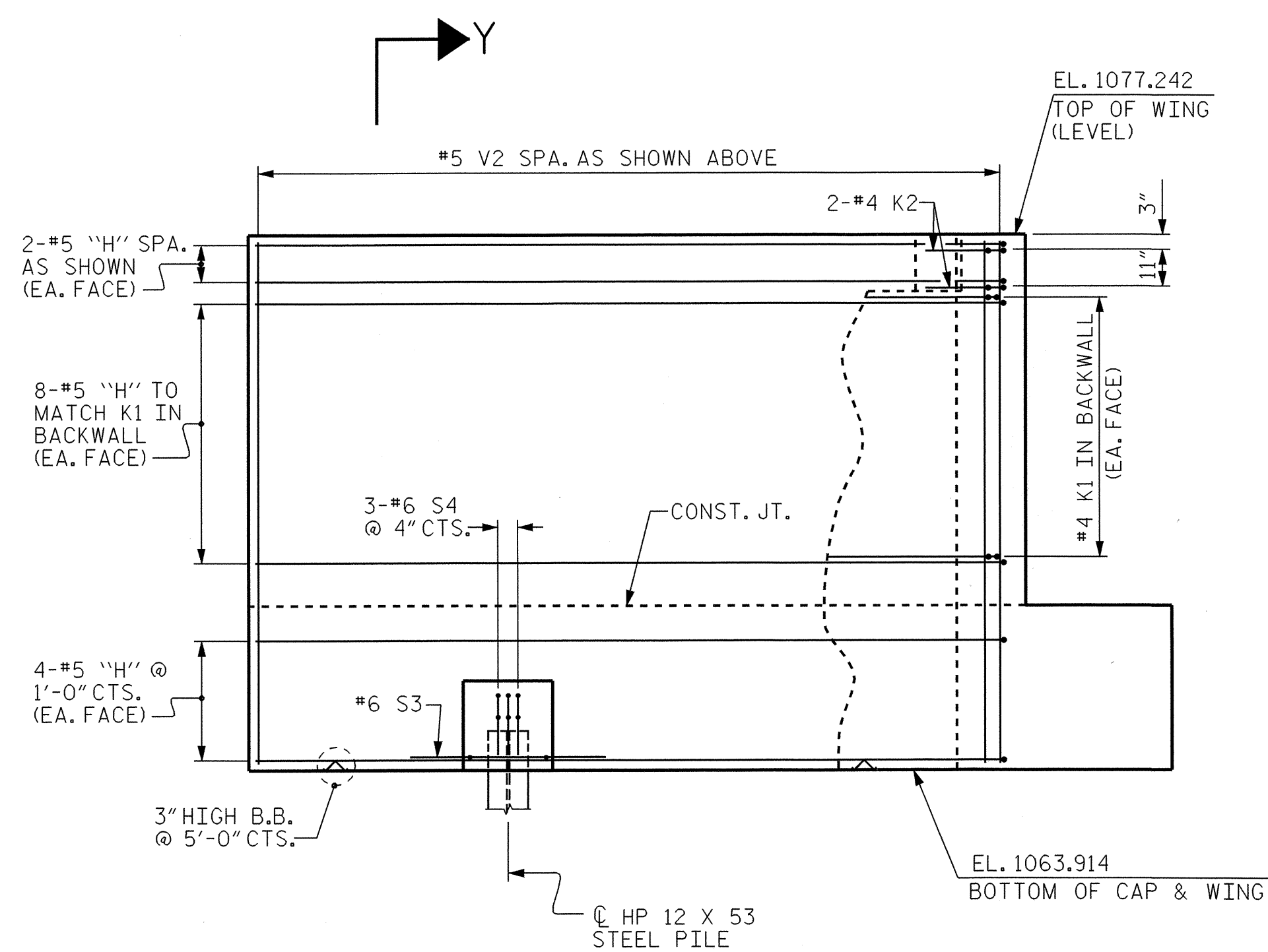
PLAN OF LEFT WING (W1)



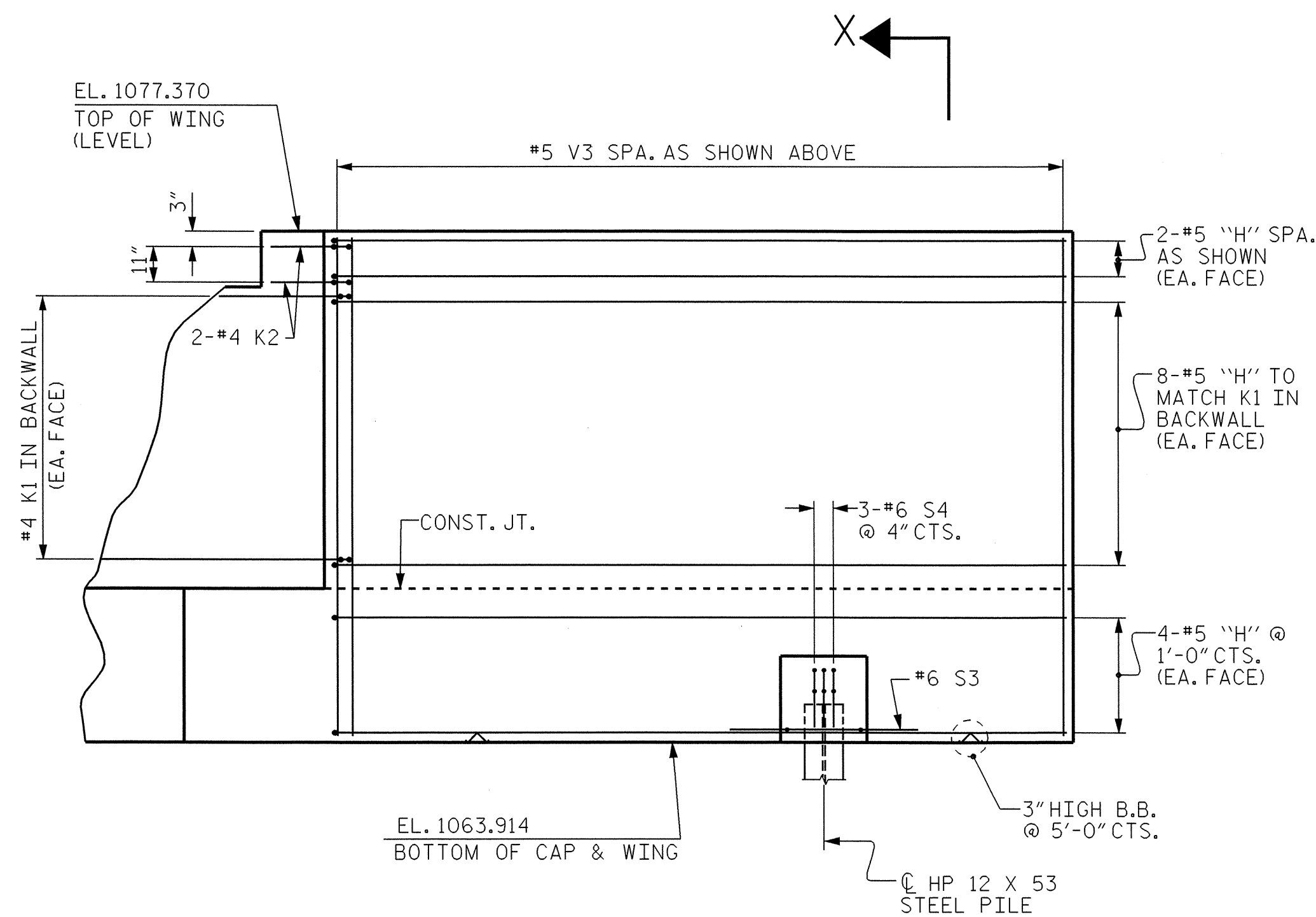
PLAN OF RIGHT WING (W2)



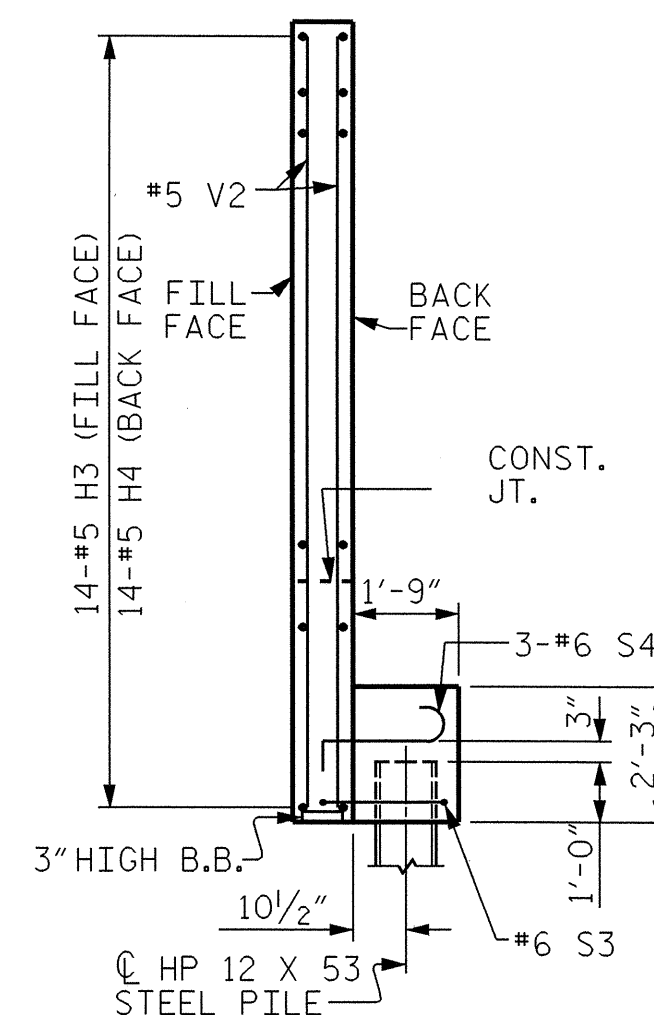
SECTION X-X



ELEVATION OF LEFT WING (W1)



ELEVATION OF RIGHT WING (W2)



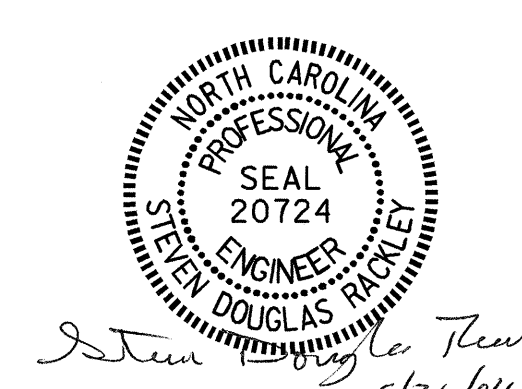
SECTION Y-Y

PROJECT NO. B-3419
 BURKE COUNTY
 STATION: 20+15.00 -L-

SHEET 2 OF 3

STATE OF NORTH CAROLINA
 DEPARTMENT OF TRANSPORTATION
 RALEIGH

SUBSTRUCTURE
 END BENT 2



DRAWN BY: A.R.CHESSON DATE: 10-03
 CHECKED BY: K.D.LAYNE DATE: 1-04

25-MAY-2004 10:51
 W:\Squads\B3419\FinalPlans\B3419_SD_E2.01.dgn
 Klayne

REVISIONS				SHEET NO.
NO.	BY:	DATE:	NO.	DATE:
1			3	
2			4	

TOTAL SHEETS: 23