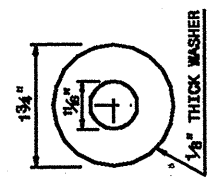
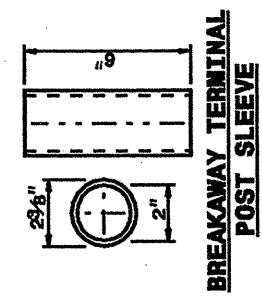


70 JUN-2003 10:35
 C:\Special Details\stds\02 Stds to Special Details\english\5202\862d02.dgn
 erickward AT D5212266

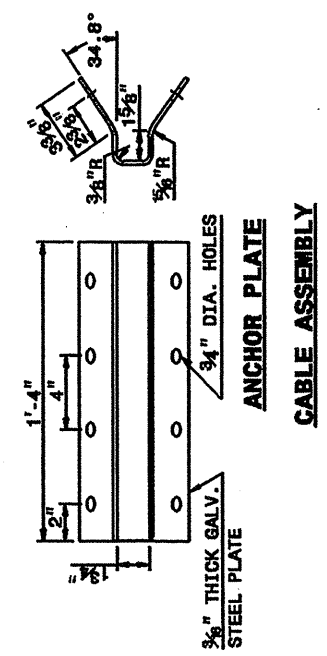
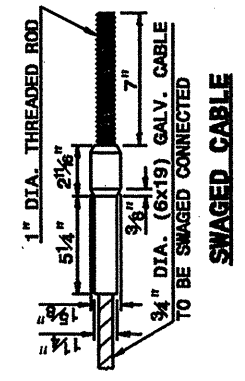
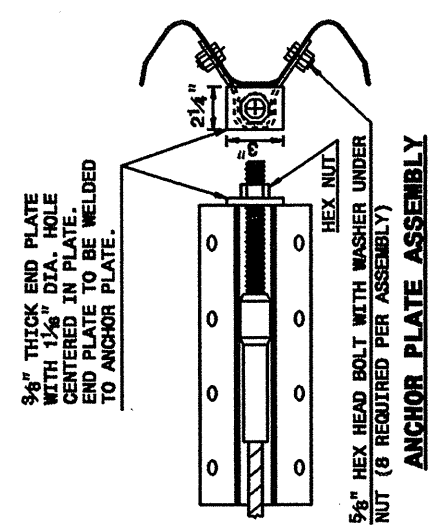
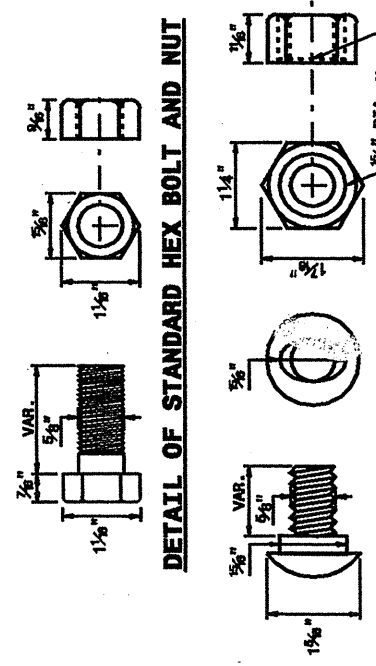
STATE OF NORTH CAROLINA
 DEPT. OF TRANSPORTATION
 DIVISION OF HIGHWAYS
 RALEIGH, N.C.

ENGLISH DETAIL DRAWING FOR
 GUARDRAIL INSTALLATION

SHEET 5 OF 7
 862D02



DETAIL OF STANDARD WASHER
 STANDARD WASHER: TYPICAL USE UNDER NUT WITH WOOD POST



SYSTEM PARTS

SHEET 5 OF 7
 862D02

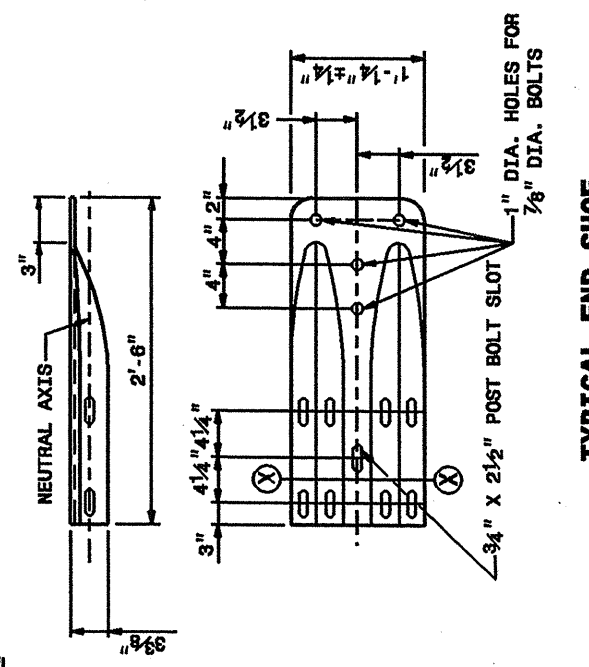
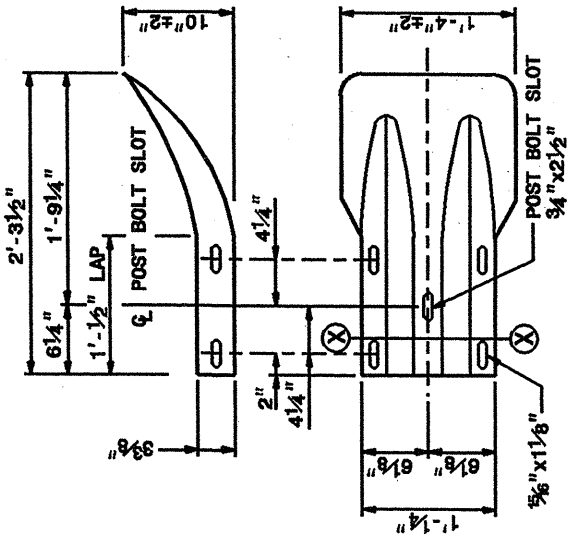
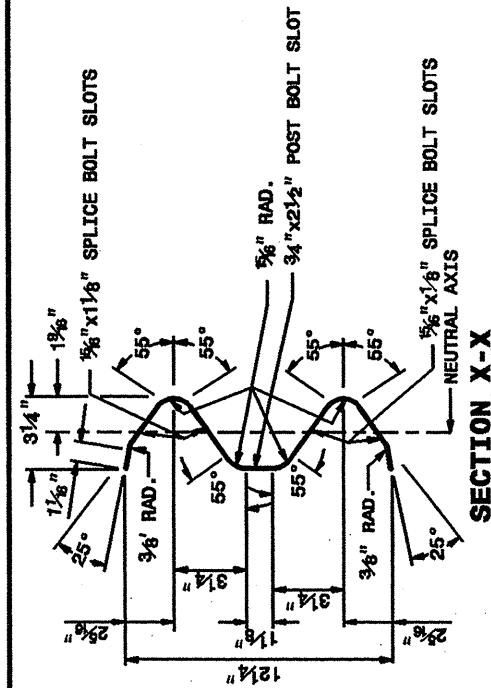
STATE OF NORTH CAROLINA
 DEPT. OF TRANSPORTATION
 DIVISION OF HIGHWAYS
 RALEIGH, N.C.

ENGLISH DETAIL DRAWING FOR
 GUARDRAIL INSTALLATION

STATE OF NORTH CAROLINA
 DEPT. OF TRANSPORTATION
 DIVISION OF HIGHWAYS
 RALEIGH, N.C.

ENGLISH DETAIL DRAWING FOR
 GUARDRAIL INSTALLATION

SHEET 6 OF 7
 862D02



SYSTEM PARTS - GENERAL USE

SHEET 6 OF 7
 862D02

STATE OF NORTH CAROLINA
 DEPT. OF TRANSPORTATION
 DIVISION OF HIGHWAYS
 RALEIGH, N.C.

ENGLISH DETAIL DRAWING FOR
 GUARDRAIL INSTALLATION

**DESIGN SERVICES UNIT
 STANDARDS AND SPECIAL DESIGN**
 Office 819-250-4128 FAX 819-250-4119

SEE PLATE FOR TITLE

ORIGINAL BY: 2002 STD.862-02 DATE: 02-08-03
 MODIFIED BY: E.E. WARD DATE: 7-28
 CHECKED BY: [Signature] DATE: 7-28
 FILE SPEC.: [Path]